

## TLR. | Clamps tensile compensated

Steel or stainless steel

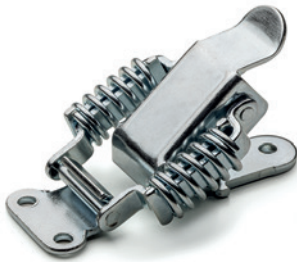


### STANDARD EXECUTIONS

- **TLR.Z:** zinc-plated steel.
- **TLR.SST:** AISI 304 stainless steel.

### FEATURES AND APPLICATIONS

TLR hook clamps are particularly suitable for use on doors subject to vibrations for the action of tensile compensation exerted by the springs.



## TLU. | Adjustable hook clamps

Steel



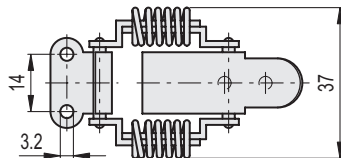
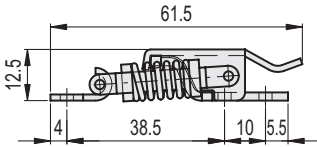
### LEVER BODY AND CATCH BRACKET MATERIAL

Zinc-plated steel.

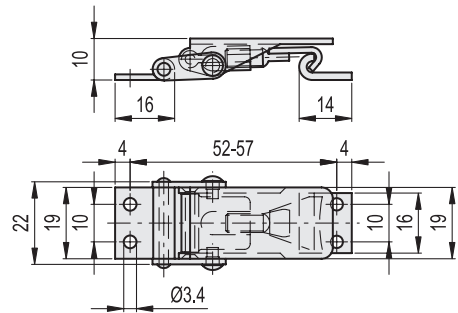
### FEATURES AND APPLICATIONS

TLU hook clamps are particularly suitable for use on inclined surfaces.

- 1
- 2
- 3
- 4
- 5
- 6
- 7
- 8
- 9
- 10
- 11
- 12
- 13
- 14
- 15
- 16
- 17
- 18



METRIC



METRIC

### TLR.Z

| Code   | Description     | Max. working load [N] | Load at breakage [N] | ⚖️ |
|--------|-----------------|-----------------------|----------------------|----|
| 420202 | TLR.Z-37/61,5+R | 500                   | 1500                 | 35 |

| Code   | Description      | Max. working load [N] | Load at breakage [N] | ⚖️ |
|--------|------------------|-----------------------|----------------------|----|
| 420232 | TLU.Z-19/60-65+R | 750                   | 1500                 | 35 |

### TLR.SST



|        |                   |     |      |    |
|--------|-------------------|-----|------|----|
| 420201 | TLR.SST-37/61,5+R | 500 | 1500 | 35 |
|--------|-------------------|-----|------|----|