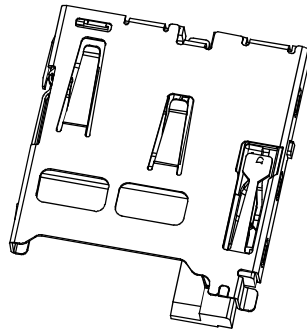


This document is the property of Amphenol Corporation and is delivered on the express condition that it is not to be disclosed, reproduced or used, in whole or in part, for manufacture or sale by anyone other than Amphenol Corporation without its prior consent, and that no right is granted to disclose or to use any information in this document.

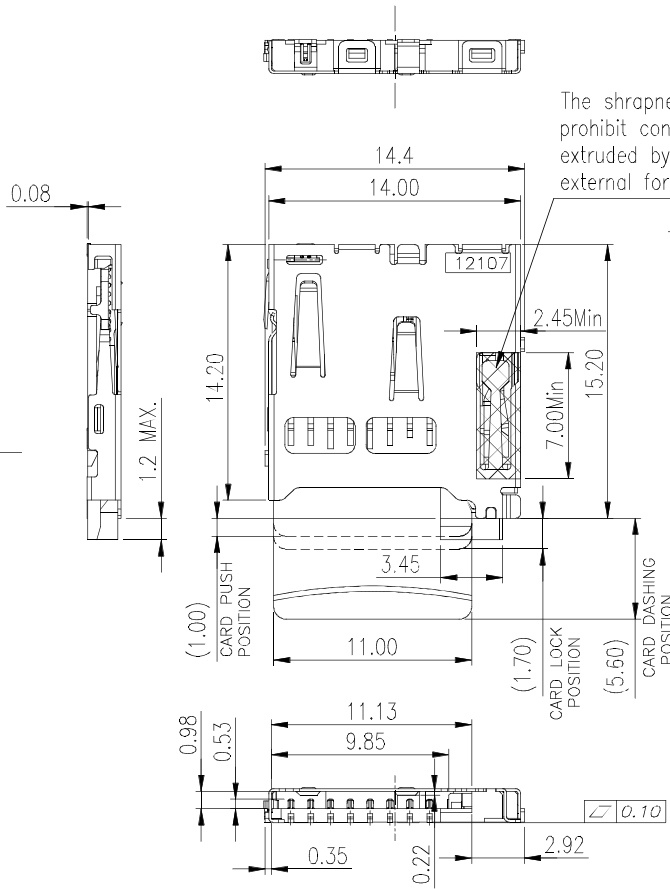
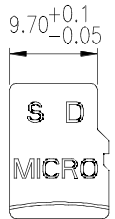
The marking on this product doesn't contain environmental hazardous materials per Material Specification 55-00759 for Sony GP compliant or per directive 2011/65/EU for RoHS compliant.



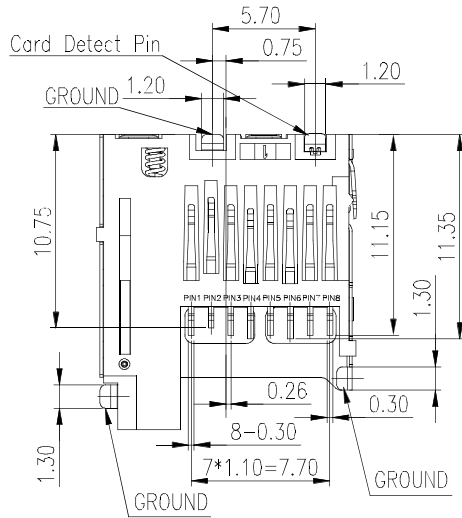
REVISIONS				
SYM	ECN No.	DESCRIPTION	DATE	APPROVED
A	NE-12202	UNAPPROVED REVISION	11/13/2012	Arron Lin
B	NE-13080	UPDATE DRAWING	05/24/2013	Arron Lin
C	NE-13101	ADDED DIM AND 30u" GOLD PLATING	07/08/2013	Arron Lin
D	NE-14226	MODIFY DESING FOR PIN2 N/F AND CD PIN RETENTION.	12/23/2014	Arron Lin
E	NE-15134	REMOVE SHELL RIB MEET THE CURRENT	11/03/2015	Arron Lin
F	NE-17179	CHANGE CAPD LATCH FROM SIDE TYPE	07/14/2017	Roger Tsai

**NOTES:**

- INSULATOR: HIGH TEMPERATURE THERMOPLASTIC, LCP, UL 94V-0, COLOR- BLACK.
- CONTACT: COPPER ALLOY, SELECTIVE GOLD PLATING ON CONTACT AREA, MATTE TIN PLATING 100u" ON SOLDERING AREA.
- SHELL: STEEL (SUS 301), NI PLATING 50u" ON SOLDERING AREA.
- THIS PRODUCT DOESN'T CONTAIN ENVIRONMENTAL HAZARDOUS MATERIALS PER DIRECTIVE 2011/65/EU FOR RoHS.
- RECOMMED SD CARD WIDTH IS DIM 9.70<sup>+0.1</sup>/<sub>-0.05</sub> FOR TEST.
- PRODUCT SPECIFICATION REFER TO : PS-7500.
- TEST SUMMARY REFER TO : TS-7500-001.



The shrapnel areas prohibit contact and extruded by the external force

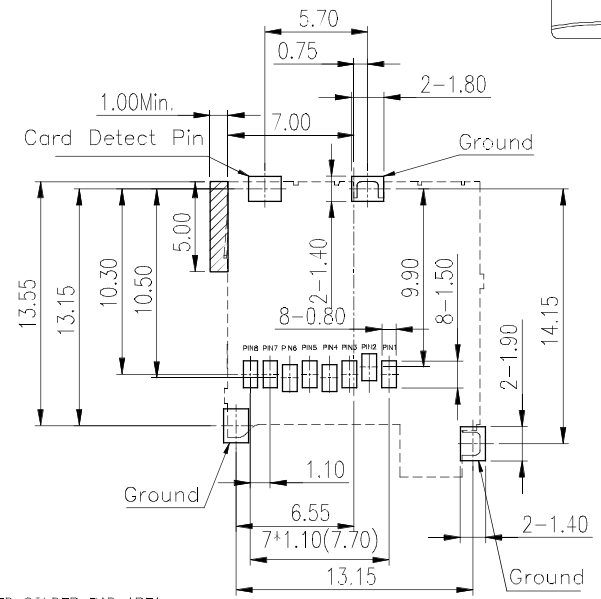
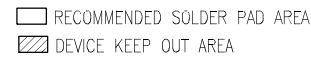


PIN No.	FUNCTION
PIN 1	DAT2
PIN 2	CD/DAT3
PIN 3	CMD
PIN 4	VDD
PIN 5	CLK
PIN 6	VSS
PIN 7	DAT0
PIN 8	DAT1

PART NO. GTFP084 X X BEU

CONTACT FINISH  
 2: 10 μ" GOLD  
 3: 15 μ" GOLD  
 4: 30 μ" GOLD

PACKING STYLE  
 1: W/O MYLAR T&R  
 2: W/ MYLAR T&R



RECOMMENDED PCB LAYOUT  
 (CALL TOLERANCE AFE ±0.05mm)  
 TOP VIEW



TOLERANCE	APPROVALS	DATE
X. ±0.30	DRAWN Karen Su	07/14/2017
X.X ±0.20	CHECKED Aqua Chou	07/14/2017
X.XX ±0.10	APPROVED Roger Tsai	07/14/2017
ANGULAR ±1°	DWG TYPE CUST DWG	PROJECT CODE OTHER

TITLE  
**MICRO SD NORMAL OPEN TYPE**  
 (HEIGHT IS 1.85 MM)

UNIT mm  
 SCALE NA

SIZE A3  
 SHEET 1 OF 2

**Amphenol**®  
 Amphenol Corporation  
 Amphenol Taiwan Corporation

PART No. GTFP084XXBEU  
 DWG No. GTFP084XXBEU  
 REV. F

