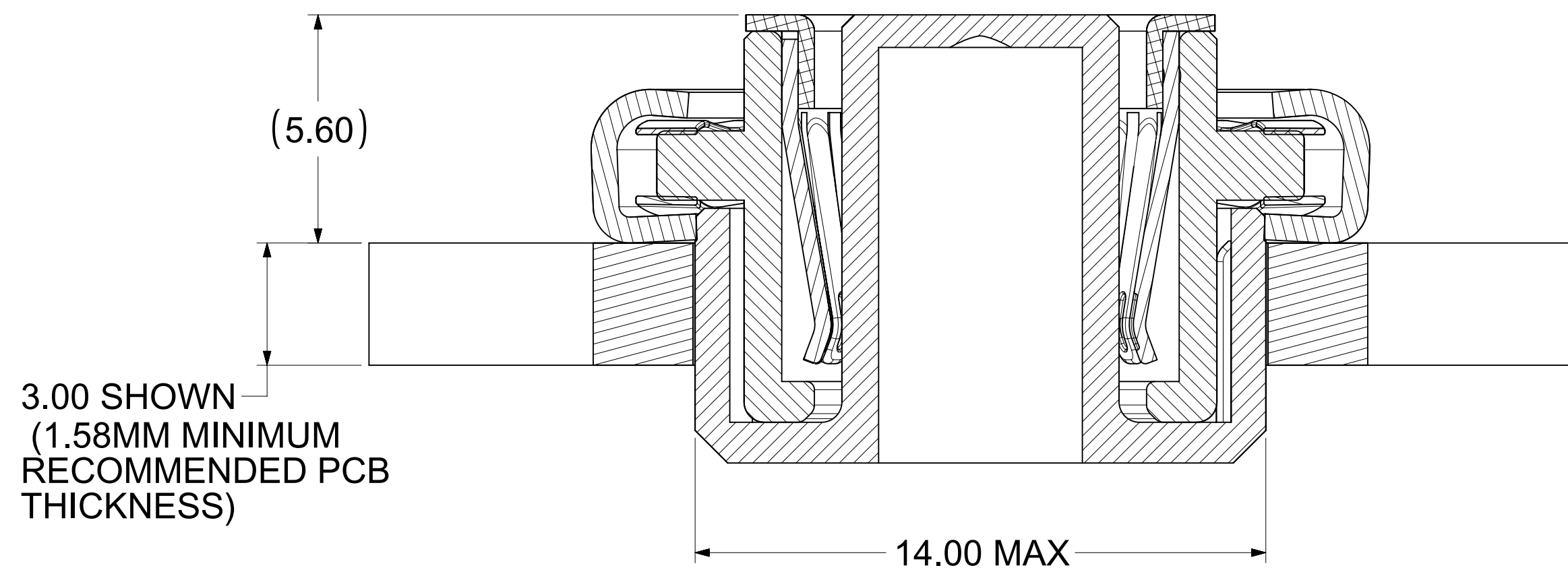
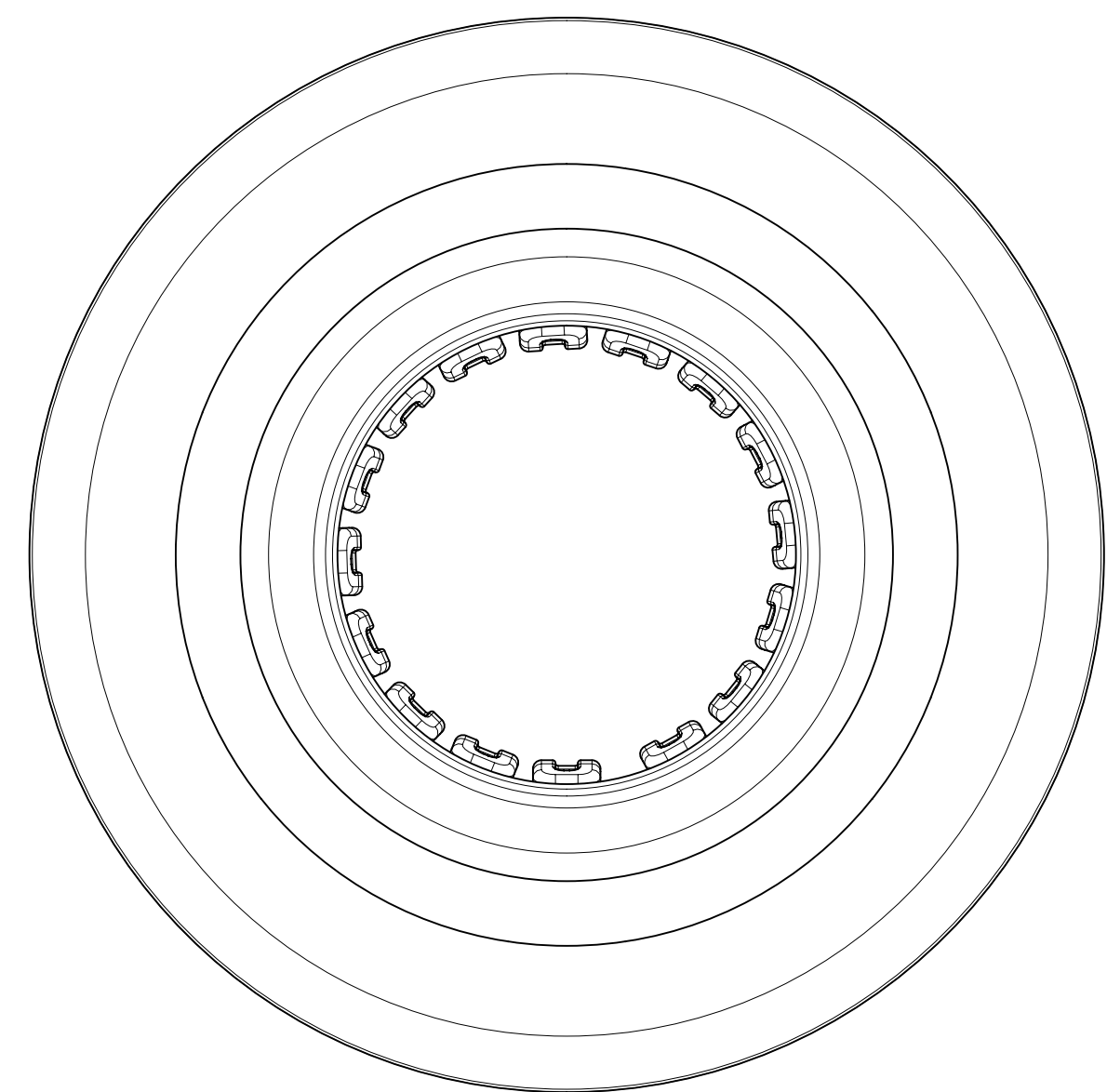
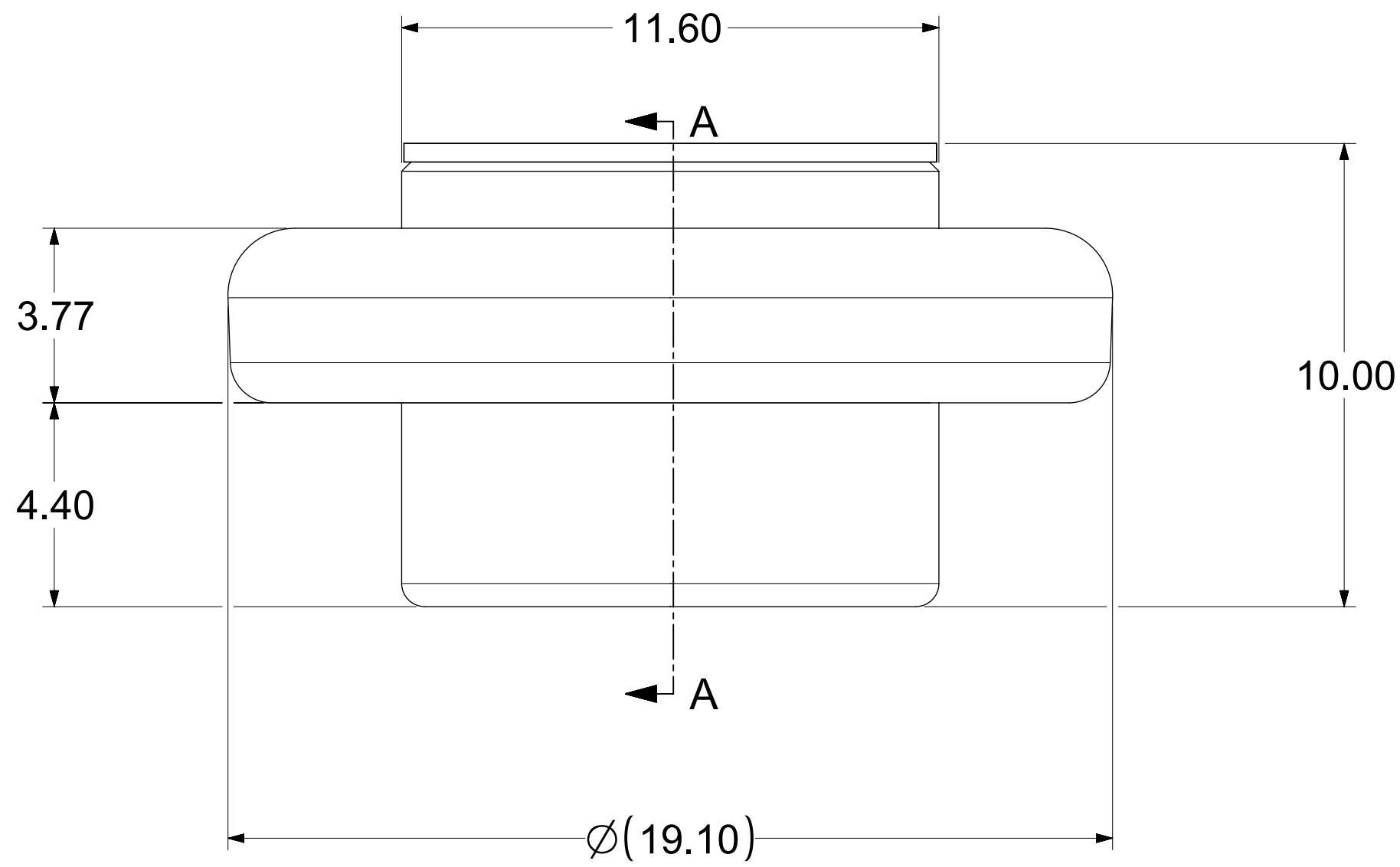


MATING PROFILE



PICK AND PLACE CAP SHOWN  
SECTION A-A

NOTES:

- MATERIALS:  
 PICK AND PLACE CAP: LCP UL94, V-0 COLOR BLACK  
 RETENTION CAP: STAINLESS STEEL  
 BASE METAL: HIGH CONDUCTIVE COPPER ALLOY  
 PLATING ON CONTACTS: 0.75 MICRON MIN GOLD OVER 1.27 MICRON MIN NICKEL  
 PLATING ON BODY: 3.18 MICRON MIN SILVER OVER 1.27 MICRON MIN NICKEL
- MATES WITH STANDARD PIN DRAWINGS  
 (MATING DISTANCE BASED ON 1.58MM BOARD THICKNESS):
  - 8.0MM SMT DRAWING 2032633080-SD, MIN. MATING DISTANCE 4.97MM
  - 8.0MM PRESS FIT DRAWING 2032630001-SD, MIN. MATING DISTANCE 5.32MM
  - 8.0MM SCREW MOUNT DRAWING 2032634185-SD, MIN. MATING DISTANCE 8.32MM
- PRODUCT SPECIFICATION: 2043130001-PS
- APPLICATION SPECIFICATION: 2043130001-AS  
 SEE APPLICATION SPEC FOR SOLDERING INFORMATION.
- PACKAGING SPECIFICATION: 2043650010-PK
- SILVER COMPONENTS WILL BE SUPPLIED TARNISH FREE BUT MAY TARNISH OVER TIME.
- PICK AND PLACE CAP TO BE REMOVED AFTER SOLDERING. CAP TO BE PUSHED OUT OF BOTTOM FROM THE TOP.
- DATE CODE TO BE LASER MARKED APPROXIMATELY WHERE SHOWN USING DDDYY FORMAT

THIS DRAWING CONTAINS INFORMATION THAT IS PROPRIETARY TO MOLEX ELECTRONIC TECHNOLOGIES, LLC AND SHOULD NOT BE USED WITHOUT WRITTEN PERMISSION

DIMENSION UNITS	SCALE	CURRENT REV DESC: UPDATED THE TITLE BLOCK	
mm	NTS		
GENERAL TOLERANCES (UNLESS SPECIFIED)			
ANGULAR TOL	± 0.5°		
4 PLACES	±	EC NO: 730607	
3 PLACES	±	DRWN: SOURAJ	2022/11/30
2 PLACES	± 0.15	CHK'D: GSHARMA	2022/12/08
1 PLACE	± 0.25	APPR: HTHYAGARAJ	2022/12/14
0 PLACES	±	INITIAL REVISION:	
DRAFT WHERE APPLICABLE MUST REMAIN WITHIN DIMENSIONS		DRWN: RLOW	2019/09/19
		APPR: BPISZCZOR	2019/10/04
THIRD ANGLE PROJECTION		DRAWING	SERIES
		D-SIZE	204365
		MATERIAL NUMBER	CUSTOMER
		2043655010	GENERAL MARKET
		DOCUMENT NUMBER	DOC TYPE DOC PART REVISION
		2043655010-SD	PSD 000 B2
		SHEET NUMBER	
		1 OF 1	