

**1A LOW DROPOUT POSITIVE REGULATOR  
1.2V, 1.5V, 1.8V, 2.5V, 3.3V, 5.0V AND ADJUSTABLE OUTPUTS**

### Description

ZLDO1117 is a low dropout positive adjustable or fixed-mode regulator with 1A output current capability.

The ZLDO1117 has a 2% tolerance across the industrial temperature range and is guaranteed to have lower than 1.2V dropout at full load current making it ideal to provide well-regulated outputs of 1.2V to 5.0V with input supply voltages up to 18V.

The ZLDO1117 is ideally suited to provide well-regulated supplies for low voltage IC applications such as high-speed bus termination and low current 3.3V logic supply across the whole industrial temperature range.

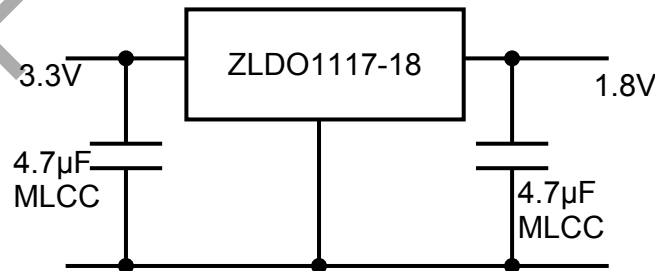
### Features

- 1.2V Maximum Dropout at Full Load Current
- 2% Tolerance Over Temperature, Line and Load Variations
- Fast Transient Response
- Output Current Limiting
- Built-in Thermal Shutdown
- Good Noise Rejection
- Suitable for use with MLCC Capacitors
- **Qualified to AEC-Q100 Grade 2** (see 'Ordering Information')
- **PPAP capable (Note 4)**
- -40 to +125°C Junction Temperature Range
- Available in TO252 and SOT223 with "Green" Molding Compound (No Br, Sb)
  - **Lead-Free Finish; RoHS Compliant (Notes 1 & 2)**
  - **Halogen and Antimony Free. "Green" Device (Note 3)**

Notes: 1. EU Directive 2002/95/EC (RoHS) & 2011/65/EU (RoHS 2) compliant. All applicable RoHS exemptions applied.  
 2. See <http://www.diodes.com> for more information about Diodes Incorporated's definitions of Halogen- and Antimony-free, "Green" and Lead-free.  
 3. Halogen- and Antimony-free "Green" products are defined as those which contain <900ppm bromine, <900ppm chlorine (<1500ppm total Br + Cl) and <1000ppm antimony compounds.  
 4. Automotive products are AEC-Q100 qualified and are PPAP capable. Automotive, AEC-Q100 and standard products are electrically and thermally the same, except where specified.

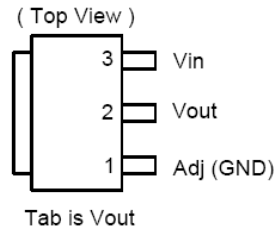
### Typical Applications Circuit

1A I/O – 1.8V Core Regulator

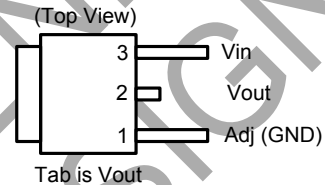


### Pin Assignments

#### SOT223



#### TO252



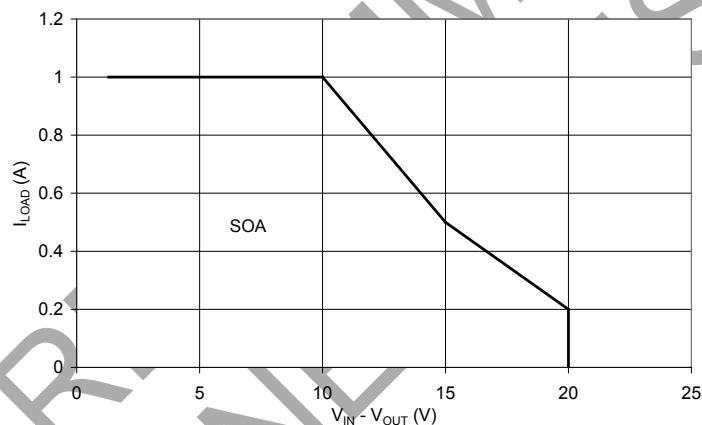
## Pin Descriptions

Pin Name	I/O	Pin Number	Function
Adj (GND)	I	1	A resistor divider from this pin to the $V_{OUT}$ pin and ground sets the output voltage (Ground only for Fixed-Mode).
$V_{OUT}$	O	2	The output of the regulator. A minimum of $4.7\mu\text{F}$ capacitor ( $0.05\Omega \leq \text{ESR} \leq 0.5\Omega$ ) must be connected from this pin to ground to insure stability. For improved ac load response a larger output capacitor is recommended.
$V_{IN}$	I	3	The input pin of regulator. Typically a large storage capacitor ( $0.05\mu\text{F} \leq \text{ESR} \leq 0.5\mu\text{F}$ ) is connected from this pin to ground to ensure that the input voltage does not sag below the minimum dropout voltage during the load transient response. This pin must always be 1.3V higher than $V_{OUT}$ in order for the device to regulate properly.

## Absolute Maximum Ratings (@ $T_A = +25^\circ\text{C}$ , unless otherwise specified.)

Symbol	Parameter	Rating	Unit
$V_{IN}$	Input Supply Voltage (Relative to Ground)	-0.03 to +18	V
$T_J$	Junction Temperature	+150	$^\circ\text{C}$
	Power Dissipation	See SOA Curve	
$T_{ST}$	Storage Temperature	-65 to +150	$^\circ\text{C}$

Unless otherwise stated voltages specified are relative to the ANODE pin.



Safe Operation Area (SOA) Curve

ESD Susceptibility			
Symbol	Parameter	Rating	Unit
HBM	Human Body Model	4	kV
MM	Machine Model	400	V

Stresses greater than the 'Absolute Maximum Ratings' specified above, may cause permanent damage to the device. These are stress ratings only; functional operation of the device at these or any other conditions exceeding those indicated in this specification is not implied. Device reliability may be affected by exposure to absolute maximum rating conditions for extended periods of time.

Semiconductor devices are ESD sensitive and may be damaged by exposure to ESD events. Suitable ESD precautions should be taken when handling and transporting these devices

**Recommended Operating Conditions** (@T<sub>A</sub> = +25°C, unless otherwise specified.)

Symbol	Parameter	Min	Max	Unit
V <sub>IN</sub>	Input voltage	2.7 (Note 8)	18	V
I <sub>O</sub>	Output current	0.01	1	A
T <sub>J</sub>	Operating Junction Temperature Range (Note 5)	-40	+125	°C

**Package Thermal Data**

Thermal Resistance	Package	Rating	Unit
Junction-to-Ambient, θ <sub>JA</sub>	SOT223 (Note 6)	107	°C/W
	TO252 (Note 7)	73	
Junction-to-Case, θ <sub>JC</sub>	SOT223 (Note 6)	16	°C/W
	TO252 (Note 7)	12	

- Notes:
- ZLDO1117 contains an internal thermal limiting circuit that is designed to protect the regulator in the event that the maximum junction temperature exceeded. When activated, typically at 150°C, the regulator Output switches off and then back on as the die cools.
  - Test condition for SOT223: T<sub>A</sub> = +27°C, no air flow, device mounted on 2"X2" polyimide PCB, 2 oz copper, 5.6mmX5.6mm pad.
  - Test condition for TO252: T<sub>A</sub> = +27°C, no air flow, device mounted on 2"X2" polyimide PCB, 1 oz copper, 2cmX2cm pad.
  - Ensures correct operation without entering dropout. Device will continue to operate below this minimum input voltage under dropout conditions.

**Electrical Characteristics** (@T<sub>A</sub> = +25°C, unless otherwise specified.)

Parameter	Conditions		T <sub>A</sub>	Min	Typ	Max	Unit
Reference Voltage	ZLDO1117-ADJ	(V <sub>IN</sub> -V <sub>OUT</sub> ) = 2V, I <sub>O</sub> = 10mA	25	1.238	1.250	1.263	V
		V <sub>OUT</sub> +1.4V < V <sub>IN</sub> < 10V, 10mA < I <sub>O</sub> < 1A	FT	1.225		1.275	
Output Voltage	ZLDO1117-1.2	I <sub>O</sub> = 10mA, V <sub>IN</sub> = 3.2V	25	1.188	1.200	1.212	V
		10mA < I <sub>O</sub> < 1A, 2.7V < V <sub>IN</sub> < 12V	FT	1.176		1.224	
	ZLDO1117-1.5	I <sub>O</sub> = 10mA, V <sub>IN</sub> = 3.5V	25	1.485	1.500	1.515	V
		0 < I <sub>O</sub> < 1A, 2.9V < V <sub>IN</sub> < 12V	FT	1.470		1.530	
	ZLDO1117-1.8	I <sub>O</sub> = 10mA, V <sub>IN</sub> = 3.8V	25	1.782	1.800	1.818	V
		0 < I <sub>O</sub> < 1A, 3.2V < V <sub>IN</sub> < 12V	FT	1.764		1.836	
	ZLDO1117-2.5	I <sub>O</sub> = 10mA, V <sub>IN</sub> = 4.5V	25	2.475	2.500	2.525	V
0 < I <sub>O</sub> < 1A, 3.9V < V <sub>IN</sub> < 12V		FT	2.450		2.550		
ZLDO1117-3.3	I <sub>O</sub> = 10mA, V <sub>IN</sub> = 5.3V	25	3.267	3.300	3.333	V	
	0 < I <sub>O</sub> < 1A, 4.7V < V <sub>IN</sub> < 12V	FT	3.235		3.365		
ZLDO1117-5.0	I <sub>O</sub> = 10mA, V <sub>IN</sub> = 7V	25	4.95	5.000	5.05	V	
	0 < I <sub>O</sub> < 1A, 6.4V < V <sub>IN</sub> < 12V	FT	4.900		5.100		
Line Regulation	ZLDO1117-ADJ	I <sub>O</sub> = 10mA, V <sub>OUT</sub> +1.5V<V <sub>IN</sub> <12V	25			0.1	%
			FT			0.2	
	ZLDO1117-xx	I <sub>O</sub> = 0mA, V <sub>OUT</sub> +1.5V<V <sub>IN</sub> <12V	25			0.1	%
			FT			0.2	

- Notes:
- See thermal regulation specifications for changes in output voltage due to heating effects. Line and load regulation are measured at a constant junction temperature by low duty cycle pulse testing. Load regulation is measured at the output lead = 1/18" from the package.
  - Line and load regulation are guaranteed up to the maximum power dissipation of 15W. Power dissipation is determined by the difference between input and output differential and the output current. Guaranteed maximum power dissipation will not be available over the full input/output range.

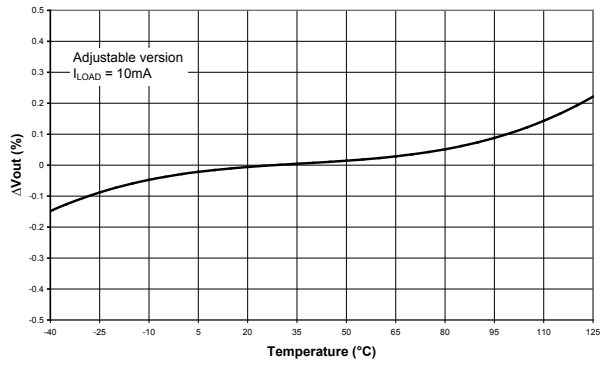
**Electrical Characteristics** (cont.) (@T<sub>A</sub> = +25°C, unless otherwise specified.)

Parameter	Conditions	T <sub>A</sub>	Min	Typ	Max	Unit
Load Regulation	ZLDO1117-ADJ V <sub>IN</sub> =3.3V, V <sub>ADJ</sub> =0, 10mA < I <sub>O</sub> < 1A, (Notes 9, 10)	25			0.2	%
		FT			0.4	
	ZLDO1117-1.2 V <sub>IN</sub> =2.7V, 10mA < I <sub>O</sub> < 1A, (Notes 9, 10)	25			0.2	%
		FT			0.4	
	ZLDO1117-1.5 V <sub>IN</sub> = 3V, 0 < I <sub>O</sub> < 1A, (Notes 9, 10)	25			3	mV
		FT			6	
	ZLDO1117-1.8 V <sub>IN</sub> = 3.3V, 0 < I <sub>O</sub> < 1A, (Notes 9, 10)	25			4	mV
		FT			8	
	ZLDO1117-2.5 V <sub>IN</sub> = 4V, 0 < I <sub>O</sub> < 1A, (Notes 9, 10)	25			5	mV
		FT			10	
	ZLDO1117-3.3 V <sub>IN</sub> = 4.8V, 0 < I <sub>O</sub> < 1A, (Notes 9, 10)	25			6.6	mV
		FT			13	
	ZLDO1117-5.0 V <sub>IN</sub> = 6.5V, 0 < I <sub>O</sub> < 1A, (Notes 9, 10)	25			10	mV
		FT			20	
Dropout Voltage (V <sub>IN</sub> -V <sub>OUT</sub> )	ZLDO1117- ADJ/1.2/1.5/1.8/2.5/ 3.3/5.0 I <sub>O</sub> = 1A, ΔV <sub>OUT</sub> = 1%V <sub>OUT</sub>	25		1.11	1.2	V
		0 ~ 125			1.3	
		FT			1.35	
Current Limit	ZLDO1117- ADJ/1.2/1.5/1.8/2.5/ 3.3/5.0 (V <sub>IN</sub> -V <sub>OUT</sub> ) = 5V	25				A
		FT	1.1			
Minimum Load Current (Note 8)	ZLDO1117-ADJ ZLDO1117-1.2 V <sub>IN</sub> = <18V	FT		2	5	mA
Quiescent current	ZLDO1117-xx V <sub>IN</sub> < 18V, I <sub>O</sub> = 0mA	FT		4	10	mA
GND current	ZLDO1117-ADJ ZLDO1117-1.2 V <sub>IN</sub> = 7V	FT		35	120	μA
Thermal Regulation	30ms pulse	25			0.1	%/W
Ripple Rejection	f = 120Hz, C <sub>OUT</sub> = 25μF Tantalum, I <sub>OUT</sub> = 100mA, ZLDO1117-XXX V <sub>IN</sub> = V <sub>OUT</sub> +3V	25	60	80		dB
Temperature Stability	I <sub>O</sub> = 10mA			0.5		%

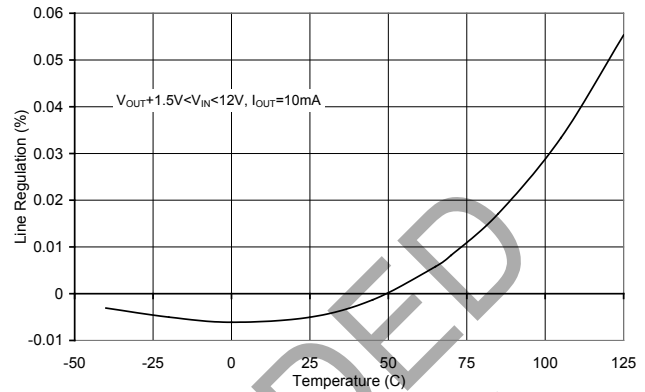
- Notes:
- See thermal regulation specifications for changes in output voltage due to heating effects. Line and load regulation are measured at a constant junction temperature by low duty cycle pulse testing. Load regulation is measured at the output lead = 1/18" from the package.
  - Line and load regulation are guaranteed up to the maximum power dissipation of 15W. Power dissipation is determined by the difference between input and output differential and the output current. Guaranteed maximum power dissipation will not be available over the full input/output range.

NOT FOR NEW

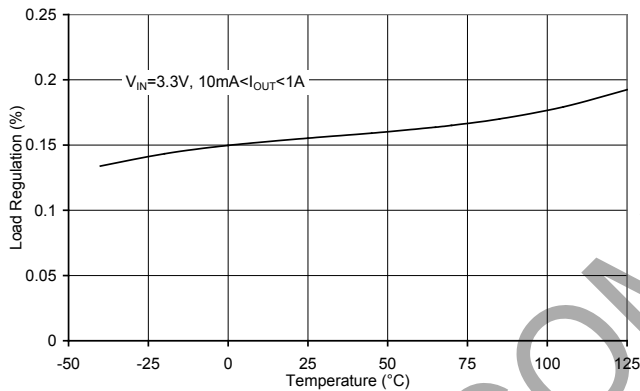
**Typical Characteristics**



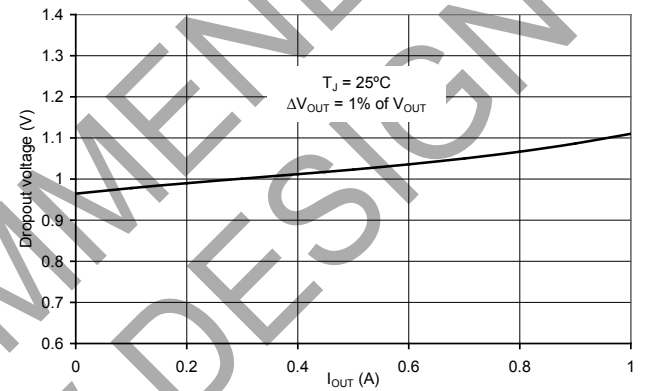
**Output Voltage Variation vs. Temperature**



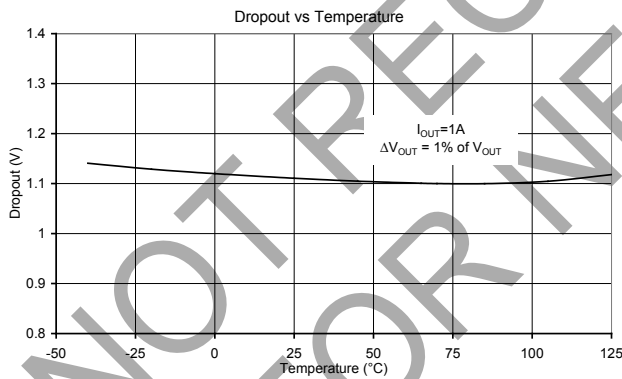
**Line Regulation vs. Temperature**



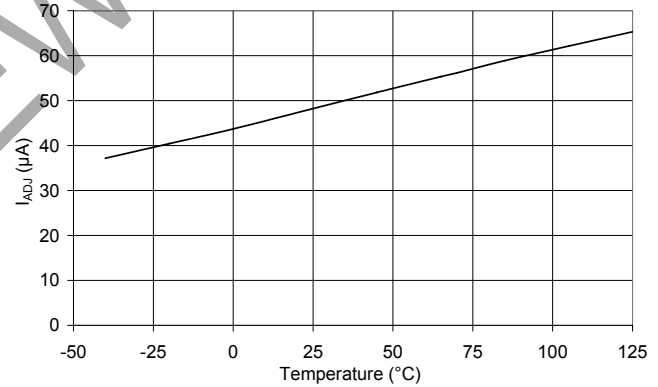
**Load Regulation vs. Temperature**



**Drop-Out Voltage vs. Current**

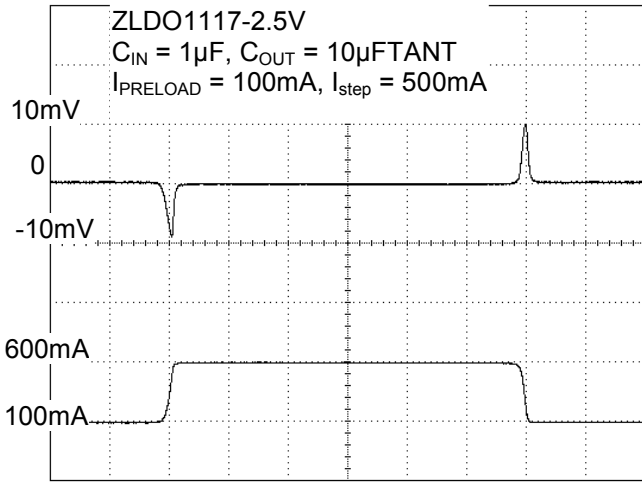


**Drop-Out Voltage vs. Temperature**

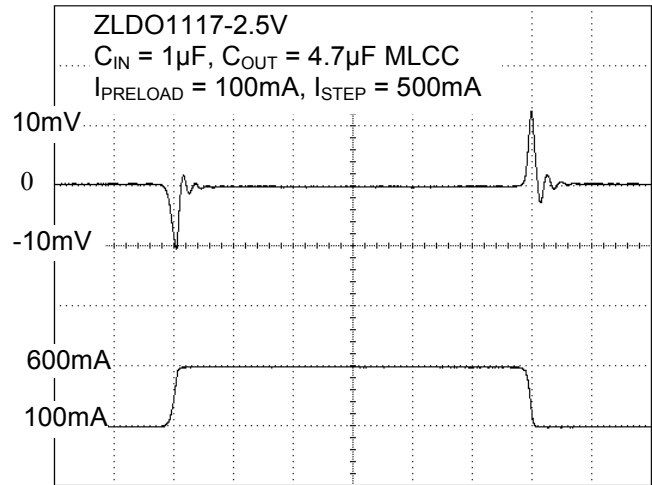


**Adjust Pin Input Current**

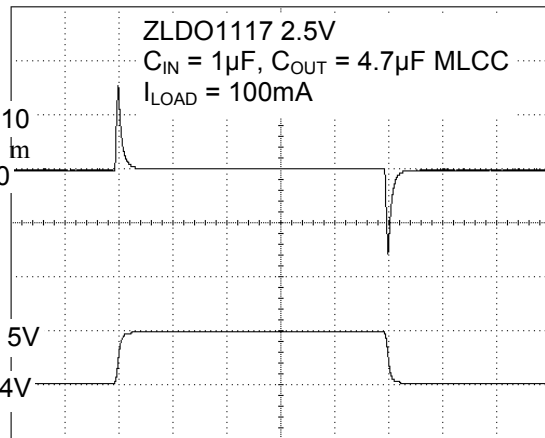
**Typical Characteristics**



**Transient Load Regulation with 10µF Tantalum Capacitor**

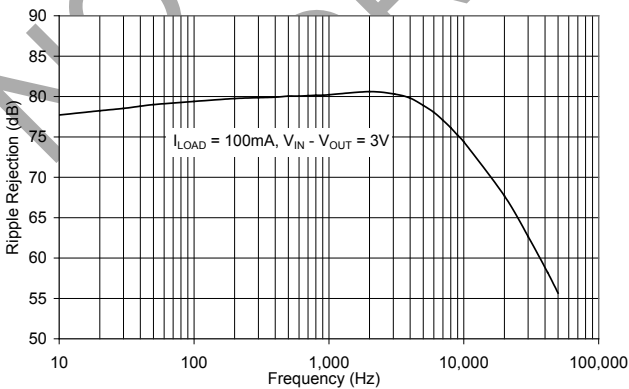


**Transient Load Regulation with 4.7µF MLCC Capacitor**



10µs/div

**Transient Line Regulation with 4.7µF MLCC Capacitor**



**Ripple Rejection**

## Application Information

The ZLDO1117 family of quasi-LDO regulators is easy to use. They are protected against short circuit and thermal overloads. (see block diagram).

Thermal protection circuitry will shut down the regulator should the junction temperature exceed +150°C at the sense point. The ZLDO1117 is pin compatible with similar '1117 regulators and offers extended temperature range and improved regulation specifications.

### Operation

The ZLDO1117 develops a 1.25V reference voltage between the output and the adjust terminal (see block diagram). By placing a resistor between these two terminals, a constant current is caused to flow through R1 and down through R2. For fixed output variants Resistors R1 and R2 are internal.

### Stability

The ZLDO1117 requires an output capacitor as part of the device frequency compensation. As part of its improved performance over industry standard 1117 the ZLDO1117 is suitable for use with MLCC (Multi Layer Ceramic Chip) capacitors. A minimum of 4.7µF ceramic X7R, 4.7µF tantalum, or 47 µF of aluminum electrolytic is required. The ESR of the output capacitor should be less than 0.5Ω. Surface mount tantalum capacitors, which have very low ESR, are available from several manufacturers. When using MLCC capacitors avoid the use of Y5V dielectrics.

### Load Regulation

For improved load regulation the ZLDO1117-ADJ should have the upper feedback resistor, R<sub>1</sub>, connected as close as possible to V<sub>OUT</sub> and the lower resistor, R<sub>2</sub>, connected as close as possible to the load GND return. This helps reduce any parasitic resistance in series with the load.

### Thermal Considerations

ZLDO1117 series regulators have internal thermal limiting circuitry designed to protect the device during overload conditions. For continuous normal load conditions however, the maximum junction temperature rating of +125°C must not be exceeded.

It is important to give careful consideration to all sources of thermal resistance from junction to ambient. For the SOT223-3L and TO252-3L packages, which are designed to be surface mounted, additional heat sources mounted near the device must also be considered. Heat sinking is accomplished using the heat spreading capability of the PCB and its copper traces. The θ<sub>JC</sub> (junction to tab) of the TO252-3L and SOT223-3L are +12°C/W and +16°C/W respectively.

Thermal resistances from tab to ambient can be as low as +30°C/W. The total thermal resistance from junction to ambient can be as low as +42 to +46°C/W. This requires a reasonable sized PCB with at least one layer of copper to spread the heat across the board and couple it into the surrounding air. Datasheet specifications using 2 oz copper and a 5mmx5mm pad with T<sub>A</sub> = +27°C, no air flow yielded θ<sub>JA</sub> (junction to tab) of +73°C/W and +107°C/W for TO252-3L and SOT223-3L respectively.

The thermal resistance for each application will be affected by thermal interactions with other components on the board. Some experimentation will be necessary to determine the actual value.

### Ripple Rejection

When using the ZLDO1117 adjustable device the adjust terminal can be bypassed to improve ripple rejection. When the adjust terminal is bypassed the required value of the output capacitor increases.

The device will require an output capacitor of 22µF tantalum or 150µF aluminum electrolytic when the adjust pin is bypassed. Normally, capacitor values on the order of 100µF are used in the output of many regulators to ensure good load transient response with large load current changes. Output capacitance can be increased without limit and larger values of output capacitance further improve stability and transient response.

The curves for Ripple Rejection were generated using an adjustable device with the adjust pin bypassed. These curves will hold true for all values of output voltage. For proper bypassing, and ripple rejection approaching the values shown, the impedance of the adjust pin capacitor, at the ripple frequency, should be < R<sub>1</sub>. R<sub>1</sub> is normally in the range of 100Ω to 200Ω. The size of the required adjust pin capacitor is a function of the input ripple frequency. At 120Hz, with R<sub>1</sub> = 100Ω, the adjust pin capacitor should be >13µF. At 10kHz only 0.16µF is needed.

For fixed voltage devices, and adjustable devices without an adjust pin capacitor, the output ripple will increase as the ratio of the output voltage to the reference voltage (V<sub>OUT</sub>/V<sub>REF</sub>). For example, with the output voltage equal to 5V, the output ripple will be increased by the ratio of 5V/1.25V. It will increase by a factor of four. Ripple rejection will be degraded by 12dB from the value shown on the curve.

**Typical Application Circuits**

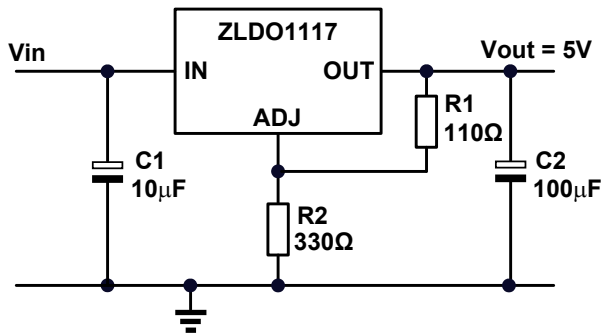


Figure 1 Basic Adjustable Regulator with 5V Output

Using

$$V_{OUT} = 1.25 \cdot \left\{ 1 + \frac{R2}{R1} \right\}$$

then the output voltage becomes:

$$V_{OUT} = 1.25 \cdot \left\{ 1 + \frac{330}{110} \right\} = 5.0V$$

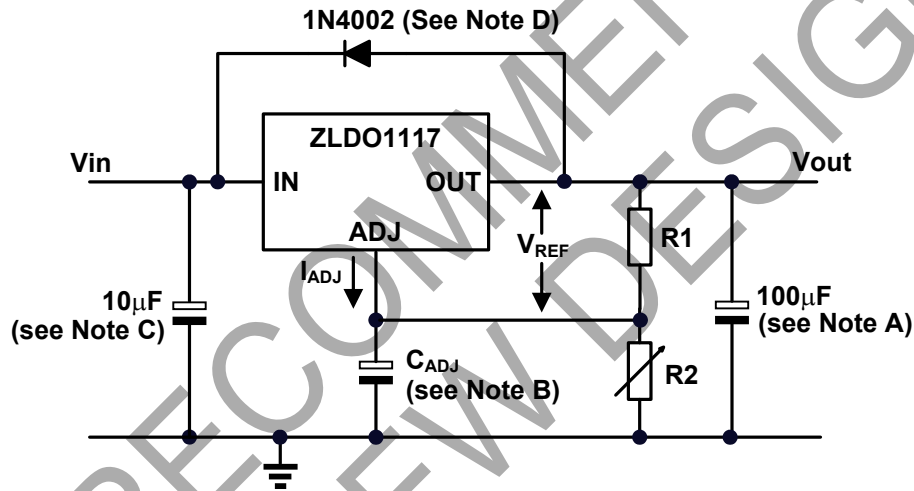


Figure 2 Adjustable Regulator with IADJ Errors

$$V_{OUT} = 1.25 \cdot \left\{ 1 + \frac{R2}{R1} \right\} + I_{ADJ} \cdot R2$$

Because  $I_{ADJ}$  typically is  $55\mu A$ , its effect is negligible in most applications.

$$V_{OUT} = 1.25 \cdot \left\{ 1 + \frac{330}{110} + 55 \cdot 10^{-6} \cdot 330 \right\} = 5.02V \sim 0.4\%$$

- A. Output capacitor selection is critical for regulator stability. Larger  $C_{out}$  values benefit the regulator by improving transient response and loop stability.
- B.  $C_{ADJ}$  can be used to improve ripple rejection. If  $C_{ADJ}$  is used, a  $C_{out}$  that is larger in value than  $C_{ADJ}$  must be used.
- C.  $C_{in}$  is recommended if ZLDO1117 is not located near the power supply filter.
- D. An external diode is recommended to protect the regulator if the input instantaneously is shorted to GND.
- E. This device is designed to be stable with tantalum and MLCC capacitors with an ESR less than  $0.47\Omega$ .



Other Application Circuits

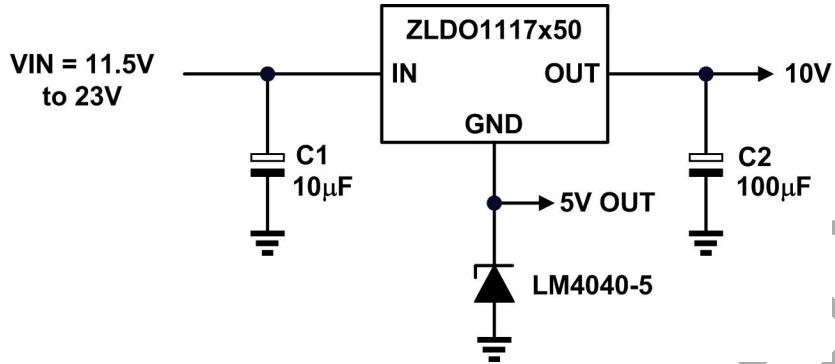


Figure 3 ZLDO1117 with Extended Output Voltage

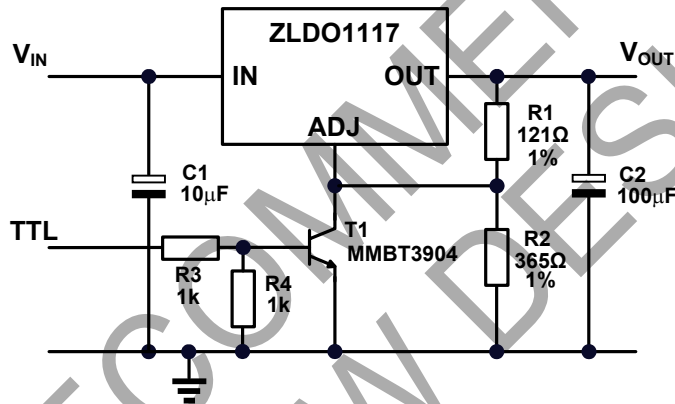


Figure 4 ZLDO1117 with Disable Function

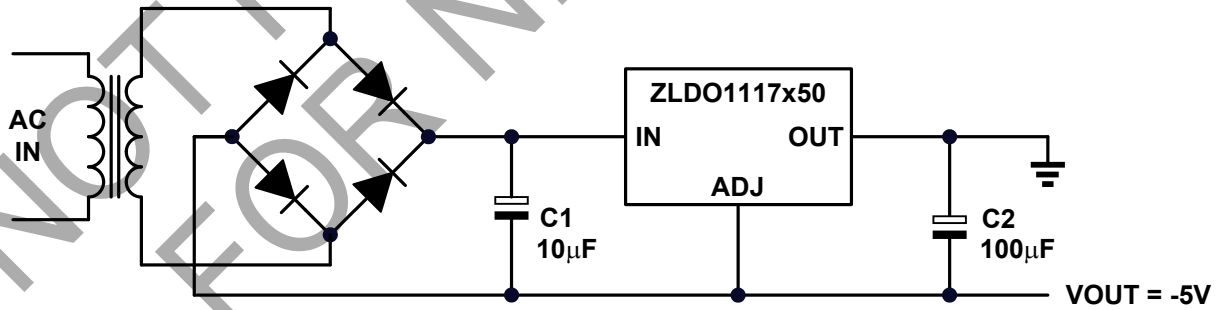


Figure 5 ZLDO1117 as a Negative LDO

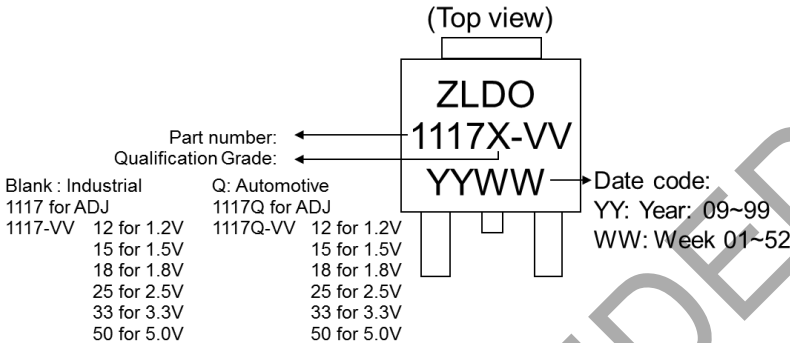
**Ordering Information**

Part Number	Output Voltage	Packaging (Note 11)	Status	Reel Quantity	Tape width	Reel size
ZLDO1117KTC	Adjustable	TO252	Active	2500	16 mm	13"
ZLDO1117GTA		SOT223	Active	1000	12 mm	7"
ZLDO1117K12TC	1.2V	TO252	Active	2500	16 mm	13"
ZLDO1117G12TA		SOT223	Active	1000	12 mm	7"
ZLDO1117K15TC	1.5V	TO252	Active	2500	16 mm	13"
ZLDO1117G15TA		SOT223	Active	1000	12 mm	7"
ZLDO1117K18TC	1.8V	TO252	Active	2500	16 mm	13"
ZLDO1117G18TA		SOT223	Active	1000	12 mm	7"
ZLDO1117K25TC	2.5V	TO252	Active	2500	16 mm	13"
ZLDO1117G25TA		SOT223	Active	1000	12 mm	7"
ZLDO1117K33TC	3.3V	TO252	Active	2500	16 mm	13"
ZLDO1117G33TA		SOT223	Active	1000	12 mm	7"
ZLDO1117K50TC	5.0V	TO252	Active	2500	16 mm	13"
ZLDO1117G50TA		SOT223	Active	1000	12 mm	7"
ZLDO1117QKTC	Adjustable	TO252	Active	2500	16 mm	13"
ZLDO1117QGTA		SOT223	Active	1000	12 mm	7"
ZLDO1117QK12TC	1.2V	TO252	Active	2500	16 mm	13"
ZLDO1117QG12TA		SOT223	Active	1000	12 mm	7"
ZLDO1117QK15TC	1.5V	TO252	Active	2500	16 mm	13"
ZLDO1117QG15TA		SOT223	Active	1000	12 mm	7"
ZLDO1117QK18TC	1.8V	TO252	Active	2500	16 mm	13"
ZLDO1117QG18TA		SOT223	Active	1000	12 mm	7"
ZLDO1117QK25TC	2.5V	TO252	Active	2500	16 mm	13"
ZLDO1117QG25TA		SOT223	Active	1000	12 mm	7"
ZLDO1117QK33TC	3.3V	TO252	Active	2500	16 mm	13"
ZLDO1117QG33TA		SOT223	Active	1000	12 mm	7"
ZLDO1117QK50TC	5.0V	TO252	Active	2500	16 mm	13"
ZLDO1117QG50TA		SOT223	Active	1000	12 mm	7"

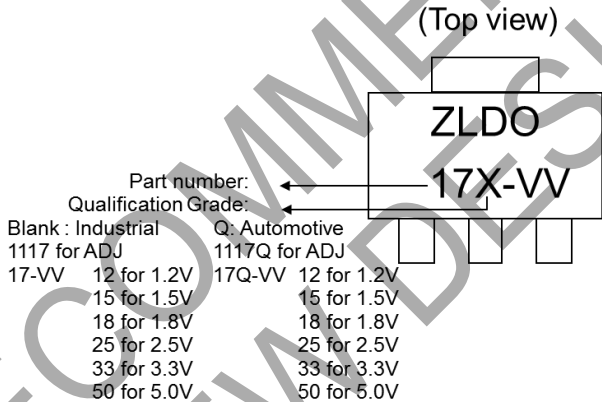
Note: 11. Pad layout as shown on Diodes Inc. suggested pad layout document AP02001, which can be found on our website at <http://www.diodes.com/datasheets/ap02001.pdf>.

**Marking Information**

TO252



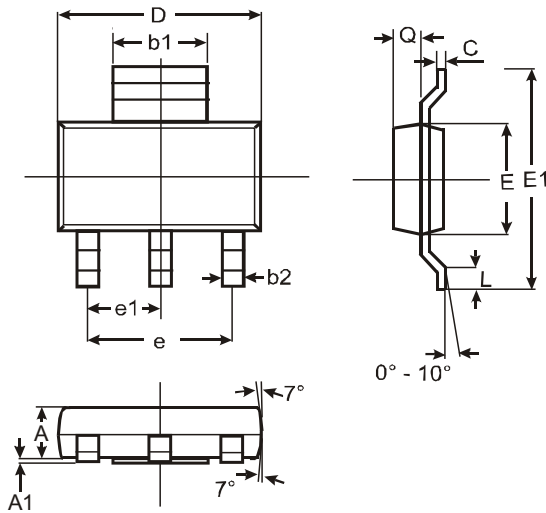
SOT223



NOT RECOMMENDED FOR NEW DESIGN

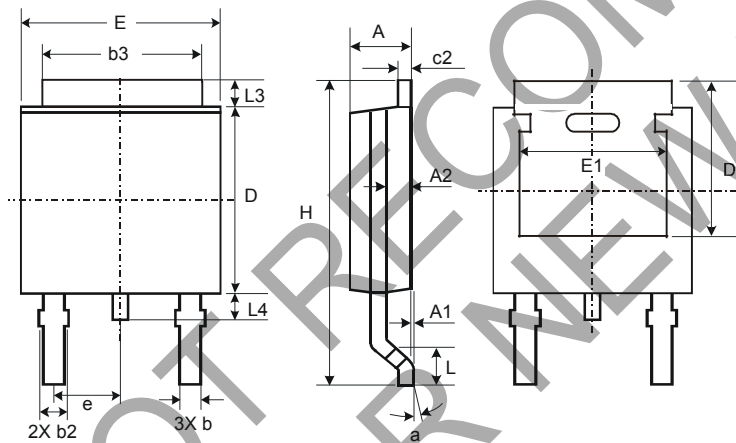
**Package Outline Dimensions** (All dimensions in mm.)

**SOT223**



SOT223			
Dim	Min	Max	Typ
A	1.55	1.65	1.60
A1	0.010	0.15	0.05
b1	2.90	3.10	3.00
b2	0.60	0.80	0.70
C	0.20	0.30	0.25
D	6.45	6.55	6.50
E	3.45	3.55	3.50
E1	6.90	7.10	7.00
e	—	—	4.60
e1	—	—	2.30
L	0.85	1.05	0.95
Q	0.84	0.94	0.89
All Dimensions in mm			

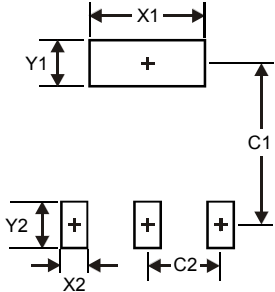
**TO252**



TO252			
Dim	Min	Max	Typ
A	2.19	2.39	2.29
A1	0.00	0.13	0.08
A2	0.97	1.17	1.07
b	0.64	0.88	0.783
b2	0.76	1.14	0.95
b3	5.21	5.46	5.33
c2	0.45	0.58	0.531
D	6.00	6.20	6.10
D1	5.21	—	—
e	—	—	2.286
E	6.45	6.70	6.58
E1	4.32	—	—
H	9.40	10.41	9.91
L	1.40	1.78	1.59
L3	0.88	1.27	1.08
L4	0.64	1.02	0.83
a	0°	10°	—
All Dimensions in mm			

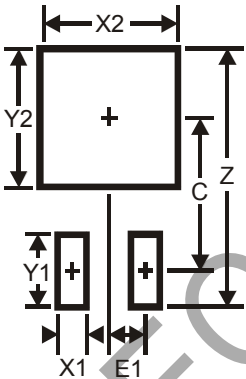
**Suggested Pad Layout**

SOT223



Dimensions	Value (in mm)
X1	3.3
X2	1.2
Y1	1.6
Y2	1.6
C1	6.4
C2	2.3

TO252



Dimensions	Value (in mm)
Z	11.6
X1	1.5
X2	7.0
Y1	2.5
Y2	7.0
C	6.9
E1	2.3

NOT RECOMMENDED FOR NEW DESIGN

**IMPORTANT NOTICE**

1. DIODES INCORPORATED AND ITS SUBSIDIARIES (“DIODES”) MAKE NO WARRANTY OF ANY KIND, EXPRESS OR IMPLIED, WITH REGARDS TO ANY INFORMATION CONTAINED IN THIS DOCUMENT, INCLUDING, BUT NOT LIMITED TO, THE IMPLIED WARRANTIES OF MERCHANTABILITY, FITNESS FOR A PARTICULAR PURPOSE OR NON-INFRINGEMENT OF THIRD PARTY INTELLECTUAL PROPERTY RIGHTS (AND THEIR EQUIVALENTS UNDER THE LAWS OF ANY JURISDICTION).
2. The Information contained herein is for informational purpose only and is provided only to illustrate the operation of Diodes products described herein and application examples. Diodes does not assume any liability arising out of the application or use of this document or any product described herein. This document is intended for skilled and technically trained engineering customers and users who design with Diodes products. Diodes products may be used to facilitate safety-related applications; however, in all instances customers and users are responsible for (a) selecting the appropriate Diodes products for their applications, (b) evaluating the suitability of the Diodes products for their intended applications, (c) ensuring their applications, which incorporate Diodes products, comply the applicable legal and regulatory requirements as well as safety and functional-safety related standards, and (d) ensuring they design with appropriate safeguards (including testing, validation, quality control techniques, redundancy, malfunction prevention, and appropriate treatment for aging degradation) to minimize the risks associated with their applications.
3. Diodes assumes no liability for any application-related information, support, assistance or feedback that may be provided by Diodes from time to time. Any customer or user of this document or products described herein will assume all risks and liabilities associated with such use, and will hold Diodes and all companies whose products are represented herein or on Diodes’ websites, harmless against all damages and liabilities.
4. Products described herein may be covered by one or more United States, international or foreign patents and pending patent applications. Product names and markings noted herein may also be covered by one or more United States, international or foreign trademarks and trademark applications. Diodes does not convey any license under any of its intellectual property rights or the rights of any third parties (including third parties whose products and services may be described in this document or on Diodes’ website) under this document.
5. Diodes products are provided subject to Diodes’ Standard Terms and Conditions of Sale (<https://www.diodes.com/about/company/terms-and-conditions/terms-and-conditions-of-sales/>) or other applicable terms. This document does not alter or expand the applicable warranties provided by Diodes. Diodes does not warrant or accept any liability whatsoever in respect of any products purchased through unauthorized sales channel.
6. Diodes products and technology may not be used for or incorporated into any products or systems whose manufacture, use or sale is prohibited under any applicable laws and regulations. Should customers or users use Diodes products in contravention of any applicable laws or regulations, or for any unintended or unauthorized application, customers and users will (a) be solely responsible for any damages, losses or penalties arising in connection therewith or as a result thereof, and (b) indemnify and hold Diodes and its representatives and agents harmless against any and all claims, damages, expenses, and attorney fees arising out of, directly or indirectly, any claim relating to any noncompliance with the applicable laws and regulations, as well as any unintended or unauthorized application.
7. While efforts have been made to ensure the information contained in this document is accurate, complete and current, it may contain technical inaccuracies, omissions and typographical errors. Diodes does not warrant that information contained in this document is error-free and Diodes is under no obligation to update or otherwise correct this information. Notwithstanding the foregoing, Diodes reserves the right to make modifications, enhancements, improvements, corrections or other changes without further notice to this document and any product described herein. This document is written in English but may be translated into multiple languages for reference. Only the English version of this document is the final and determinative format released by Diodes.
8. Any unauthorized copying, modification, distribution, transmission, display or other use of this document (or any portion hereof) is prohibited. Diodes assumes no responsibility for any losses incurred by the customers or users or any third parties arising from any such unauthorized use.

Copyright © 2021 Diodes Incorporated

[www.diodes.com](http://www.diodes.com)