

PLEASE CHECK WWW.MOLEX.COM FOR LATEST PART INFORMATION

Part Number: [0192000023](#)
Status: **Active**
Description: BS-831T BUTT SPLICE SEAMLESS AVIK TAPED

Documents:

Drawing (PDF)	Product Specification PS-19902-015-001 (PDF)
Product Specification PS-19902-011-001 (PDF)	RoHS Certificate of Compliance (PDF)

General

Product Family	Splices
Series	19200
Crimp Quality Equipment	Yes
Taxonomy	Splices
UPC	800756726700

Physical

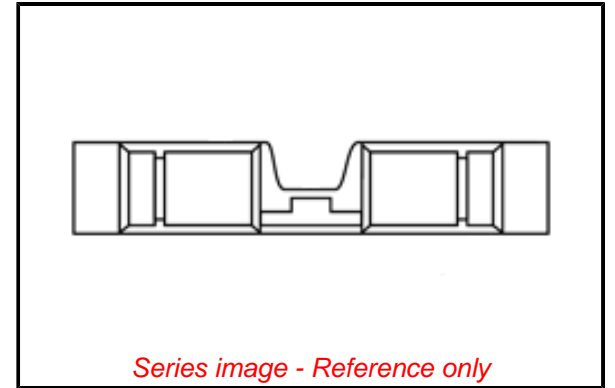
Net Weight	1.983/g
------------	---------

Material Info

Engineering Number	BS-831T
--------------------	---------

Reference - Drawing Numbers

Product Specification	PS-19902-011-001, PS-19902-015-001
Sales Drawing	SD-19200-001-001



EU ELV

Not Relevant

EU RoHS

Compliant

REACH SVHC

Not Contained Per -
ED/108/2014 (17 Dec
2014)

Halogen-Free

Status

Low-Halogen

For more information, please visit [Contact US](#)

China ROHS

Not Relevant

ELV

Not Relevant

RoHS Phthalates

Not Contained

Search Parts in this Series

[19200 Series](#)

Application Tooling | [FAQ](#)

Tooling specifications and manuals are found by selecting the products below. Crimp Height Specifications are then contained in the Application Tooling Specification document.

Global

Description

Product #

ATP Crimp Dies
for the Tape Crimp
Module and ATP-101
& 301 Press

[192880118](#)