

5

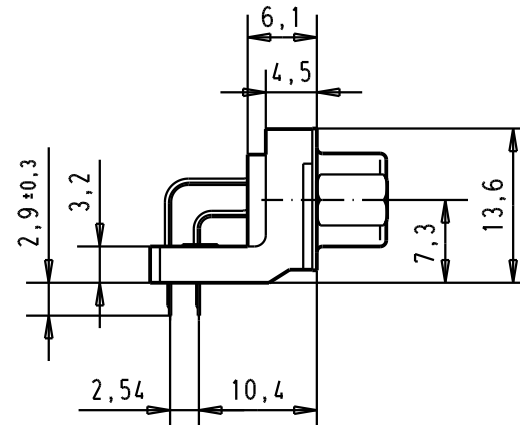
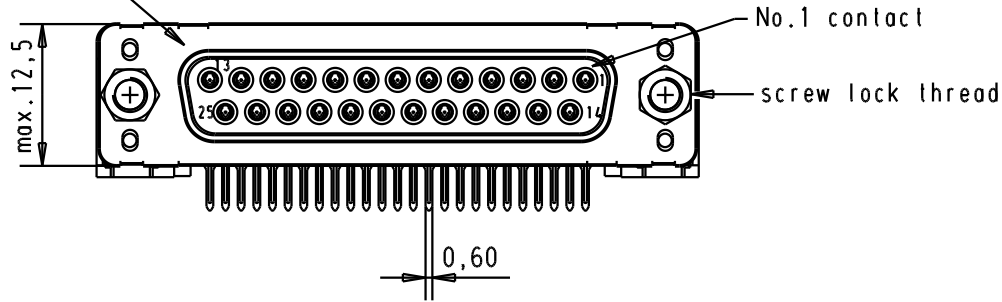
4

3

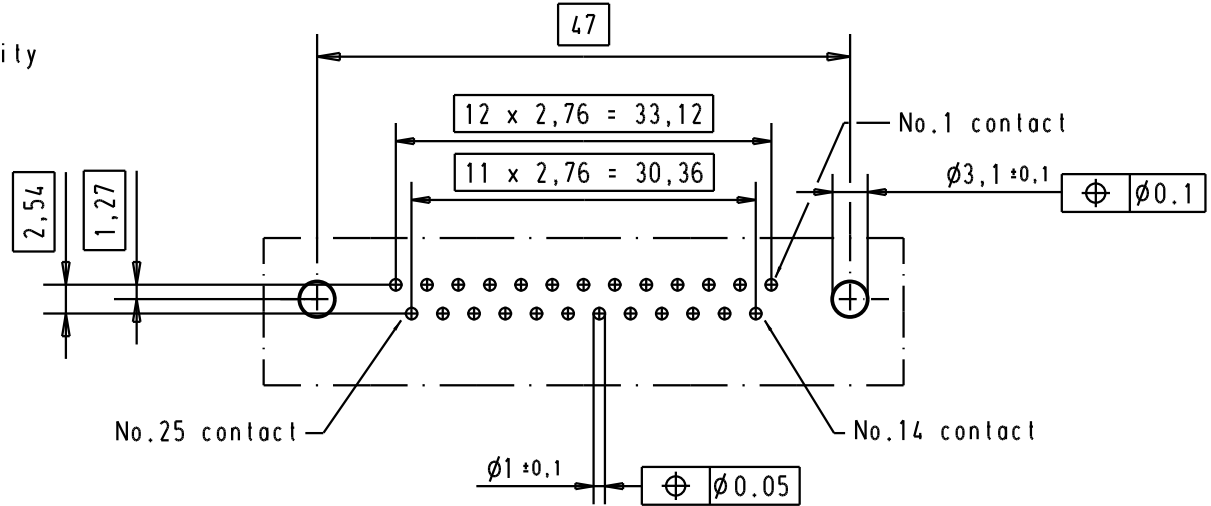
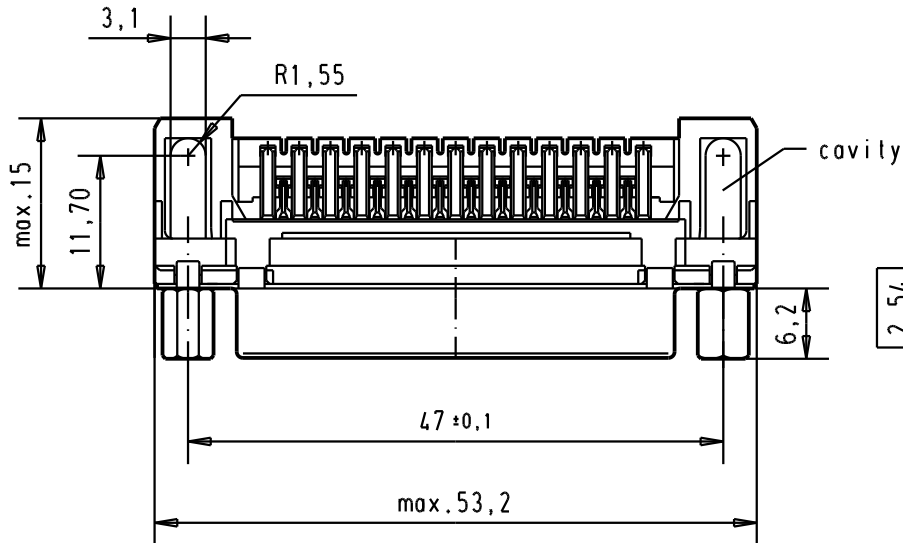
2

1



Mating face according to : MIL-C-24308 / DIN 41652 / CECC 75301-802



Printed board layout component side



A

						Det.	Name	 All Dim. in mm Orig. Size DIN A 4	D-Sub 25 poles standard angle female, solder pin with screw lock and hole Maßstab/Scale 1.5:1
						Insp.			
						Stand.			
09 66 312 3603	4-40 UNC	1	31892	05/05/04	JH			TB 0966312x60x Sub.	
09 66 312 6603	4-40 UNC	2	29773	18-APR-02	CV	HARTING EURL F-95972 Paris			
09 66 312 7603	4-40 UNC	3	27960	29/nov/00	ALSPACE				
Part number	Screw lock thread	Performance level	Mod.	Dat.	Name			Blatt/ Page 3	