

THIS INFORMATION IS CONFIDENTIAL AND PROPRIETARY TO CW INDUSTRIES INCORPORATED AND ITS AFFILIATES. IT MAY NOT BE DISCLOSED TO ANYONE OTHER THAN CW INDUSTRIES PERSONNEL, WITHOUT WRITTEN AUTHORIZATION FROM CW INDUSTRIES INCORPORATED, SOUTHAMPTON, PENNSYLVANIA USA.

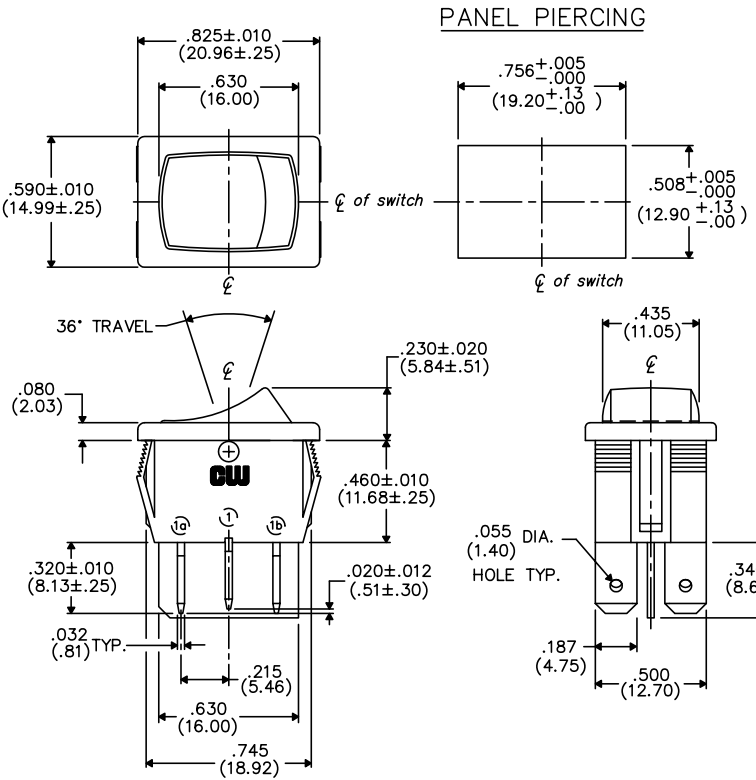
E

D

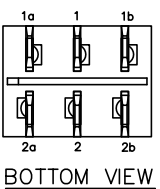
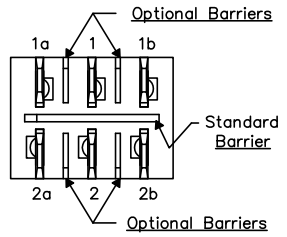
C

B

A



OPTIONAL INSULATING BARRIERS



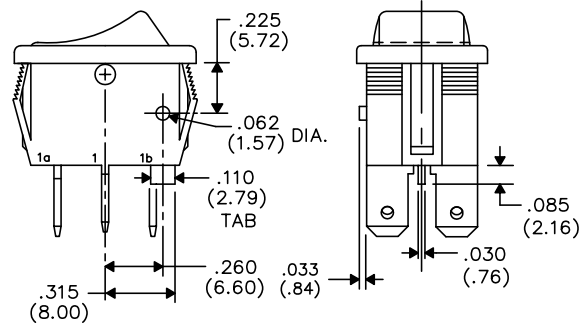
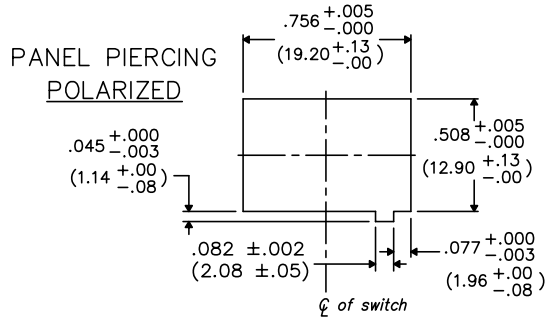
- TERMINAL OPTIONS:**
- $.187$ " (4.75mm) x $.032$ " (.81mm) Solderless
 - $.110$ " (2.79mm) x $.032$ " (.81mm) Solderless
 - $.187$ " (4.75mm) x $.020$ " (.51mm) Solderless
 - $.110$ " (2.79mm) wide with $.048$ " (1.22mm) x $.237$ " (6.02mm) Slot for Soldering

DIMENSIONS IN INCHES (MILLIMETERS)
DO NOT SCALE DRAWING

Dwg. No. **GRS-4022-XXXX**

MOUNTING PANEL THICKNESS

Standard—.050" (1.27mm) to .150" (3.81mm).
Optional Mounting Claws for Custom Panel thickness are available.



B-FORMAT 2002

REVISIONS

1 2 3 4 5 6 7 8 9 10

| | | | |
|---------------|--|--|--|
| PDF FILE MADE | Southampton, Pa. 18966 | | Title: ROCKER SWITCH ASSEMBLY D.P./D.T. |
| | TOLERANCES UNLESS OTHERWISE SPECIFIED | | |
| | 2 Place Decimal ±.010 3 Place Decimal ±.005 Angles ±1° | METRIC 1 Place Dec. ±.25mm 2 Place Dec. ±.13mm | Division: SWITCH Dwg. No. GRS-4022-XXXX |
| | Made for: CW IND. | Drawn by: DGW 10-28-2010 | |
| | Checked by: | Approval: | |