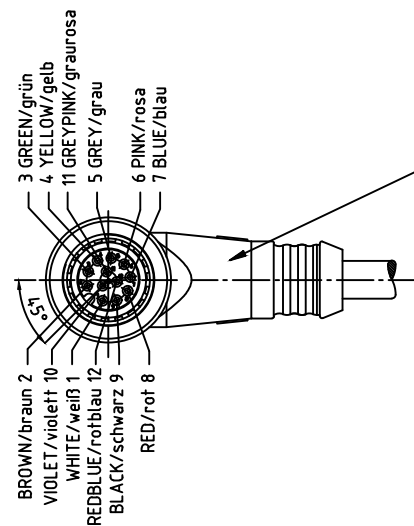
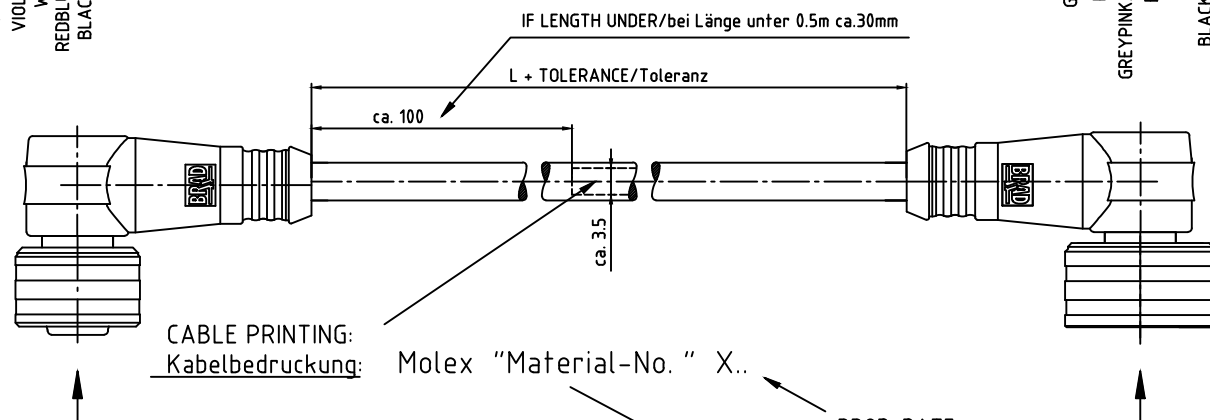
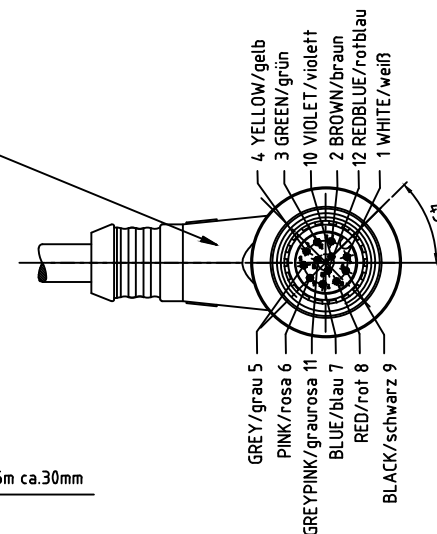


MATING SIDE
FEMALE CABLE CONNECTOR
Steckseite
Kabeldose U-Lock
12-Pol



OVERMOLD PUR SEE TABLE
Umspritzung PUR siehe Tabelle

MATING SIDE
MALE CABLE CONNECTOR
Steckseite
Kabelstecker U-Lock
12-Pol



CABLE PRINTING:
Kabelbedruckung:

Molex "Material-No." X..

PROD. DATE
Fertigungsdatum

GENERAL CHARACTERISTICS	Allgemeine Kennwerte	STANDARD Norm	
NUMBER OF CONTACTS CONTACT CONFIGURATION	Polzahl Kontaktanordnung	IEC 947-5-2	12
RATED VOLTAGE	Bemessungsspannung	IEC 664	30V AC / DC
POLLUTION DEGREE	Verschmutzungsgrad	IEC 664	3
CURRENT CARRYING CAPACITY	Betriebsstrom	IEC 512-3 Test 5 b	1,5A
CONTACT RESISTANCE	Durchgangswiderstand	IEC 512-2 Test 2 a	< 5mOhm
RATED IMPULSE WITHSTAND VOLTAGE	Bemessungsstoßspannung	IEC 664	0,8 kV
TEST VOLTAGE	Prüfspannung	IEC 60512-2 Test 4 A	0,5 kV / 60 sec
INSULATION RESISTANCE	Isolationswiderstand	IEC 512-2 Test 3 A	> 10 GOhm
IP DEGREE OF PROTECTION	IP-Schutzart	IEC 529	IP 67
PIN DIAMETER	Stiftdurchmesser		0,6 mm
MATERIALS	Werkstoffe		
CONTACTS	Kontakte		COPPER ALLOY / Kupferlegierung
CONTACTS PLATING	Kontaktoberfläche		Au/Ni
DIELECTRIC MATERIAL	Kontaktträger		PUR
HOUSING (OVERMOLD)	Gehäuse (Umspritzung)		PUR
GASKETS (O-RING)	Dichtung (O-Ring)		VITON
PUSH SLEEVE	Schiebehülse		CuZn (BRASS) WITH/mit NICKEL PLATED / Ni-Oberfläche
TERMINATION	Anschlussart		CRIMP
FLAMM- ABILITY	INSERTS HOUSING (OVERMOLD) CABLE	Brenn- barkeit	UL 94 HB HB DIN EN265-2-1/UL1581-VW1-Page 95A
MECHANICAL OPERATION	Mechanische Lebensdauer		100 MATING CYCLES/Steckzyklen
TEMPERATURE RANGE	Temperaturbereich	IEC 60668-1	-25°C / +90°C

PART-NUMBER	ENGINEERING NO.	DESCRIPTION	OVERMOLD COLOR	LENGTH
Teile-Nummer	Engineering Nr.	Beschreibung	Umspritzungsfarbe	Länge L
1200805023	WWC033H45M010	CSE U12 U12 12P AC FE RA PUR MA RA 1M DE UNSH BK	BLACK/schwarz	1000 +20/-10
1200805024	WWC033H45M020	CSE U12 U12 12P AC FE RA PUR MA RA 2M DE UNSH BK	BLACK/schwarz	2000 ±25
1200805026	WWC033H45M040	CSE U12 U12 12P AC FE RA PUR MA RA 4M DE UNSH BK	BLACK/schwarz	4000 ±25
1200805027	WWC033H45M050	CSE U12 U12 12P AC FE RA PUR MA RA 5M DE UNSH BK	BLACK/schwarz	5000 ±25

(...) DIM. FOR INFORMATION
(...) Informationsmaß

FUNCTIONAL SYMBOLS FA=0 FB=0 FC=0	THIS DRAWING CONTAINS INFORMATION THAT IS PROPRIETARY TO MOLEX ELECTRONIC TECHNOLOGIES, LLC AND SHOULD NOT BE USED WITHOUT WRITTEN PERMISSION			
	DIMENSION UNITS MM	SCALE 1:1		
DIVISIONAL SYMBOLS	GENERAL TOLERANCES (UNLESS SPECIFIED)		EC NO: 662770	
	4 PLACES ±----	mm INCH ±----	DRWN: SUGEEB	2021/04/01
	3 PLACES ±----		CHK'D: SUGEEB	2021/04/01
	2 PLACES ±0.05		APPR: GGA	2021/06/02
	1 PLACE ±0.3		INITIAL REVISION:	
	0 PLACES ±0.5		DRWN: LSTEMMLE	2009/03/24
	ANGULAR TOL ± 1.0 °		APPR: REISSNER	2009/03/25
DRAFT WHERE APPLICABLE MUST REMAIN WITHIN DIMENSIONS		THIRD ANGLE PROJECTION	DRAWING	SERIES
			A3-SIZE	120080
DOCUMENT STATUS		RELEASE DATE	2021/06/02	05:42:45
DOCUMENT NUMBER		DOC TYPE	DOC PART	REVISION
SD-120080-004		PSD	001	A
MATERIAL NUMBER		CUSTOMER	SHEET NUMBER	
		GENERAL MARKET	SEE TABLE	