

# BTSMF SERIES

BLUETOOTH® LOW MOUNT OUTDOOR PASSIVE INFRARED FIXTURE SENSOR

## FEATURES

- Passive Infrared (PIR) sensing technology provides excellent major motion detection
- Wireless programming using HCS controlHUBB mobile app
- 0-10V Dimming control
- Single/Dual motion sensor timer modes
- Daylight sensor with multiple daylight harvesting modes
- 360° and aisle coverage options
- Compact, discrete, low profile luminaire sensor
- Supports low temperature, water-tight and outdoor applications



## RELATED PRODUCTS

- [BTSMF High Mount Outdoor Sensor](#)
- [BTSMF Low Mount Indoor Sensor](#)
- [BTSMF OMNI Sensor](#)
- [BTSMF OMNI Outdoor Sensor](#)

## SPECIFICATIONS

### CONSTRUCTION

- ABS (UL-945VA) flame class rating, UV inhibitors
- 4.0 oz (113.0g)
- White, Black, Gray finishes available
- External: 1.0" (25.4mm) H, 3.5" (84.6mm) W
- Internal Thread: 1.3" (27.94mm) L, 1.4" (35.6mm) W

### ELECTRICAL

- Low Voltage sensors: 12-24VDC (Requires Dim to Off driver with auxiliary power or low voltage power supply - Not included)
- Dimming: 0-10V; Capable of sinking up to 30mA
- Bluetooth Radio: V5.0

### OPERATION

- Indoor/Outdoor use
- 1:3 (Mounting Height : Coverage Radius); Up to 16ft
- Operating temperature: -40°F to 149°F (-40°C to 65°C)
- Wireless programming of sensor settings using HCS ControlHUBB™ Bluetooth app. Maximum programming distance: 45 Ft
- Easy to use slider controls for sensor settings

### OPERATION (CONTINUED)

- Motion sensor and photosensor test modes
- Configurable LED motion indicator
- Single/Dual Motion Sensor Timer Modes
  - Single Timer Mode: Timer (0 secs - 30 mins), Level Adjustment (0-100%)
  - Dual Timer Mode: Timer 1 (0 secs - 30 mins), Level Adjustment (0-100%), Timer 2 (0 min - 5 hrs)
- Multiple Daylight Harvesting Modes
  - Full range dimming with auto configuration (closed loop operation)
  - Legacy dimming (open loop operation)
  - Dusk to dawn (On/Off operation)
  - Disabled (Default)
- Device Cloning: Sensor settings can be saved to device profiles and then cloned to other sensors
- Patented Intelliscope™ technology showing real-time occupancy data
- Security
  - Passcode protection to prevent unwanted changes
- Factory Defaults: Sensor can be set to factory defaults using the app

### OPERATION (CONTINUED)

- Over the Air (OTA) firmware updatable
- Dual element pyrometer and spherical Fresnel lens designed for robust detection of person walking

### DAYLIGHT SENSOR

- Range: 1 to 50fc or 5 to 500fc

### CERTIFICATIONS

- Conforms with UL STD 508, UL STD 244A
- IP65 Rated

### WARRANTY

- 5 year limited
- See [HLI Standard Warranty](#) for additional information

# BTSMP SERIES

BLUETOOTH® LOW MOUNT OUTDOOR PASSIVE INFRARED FIXTURE SENSOR

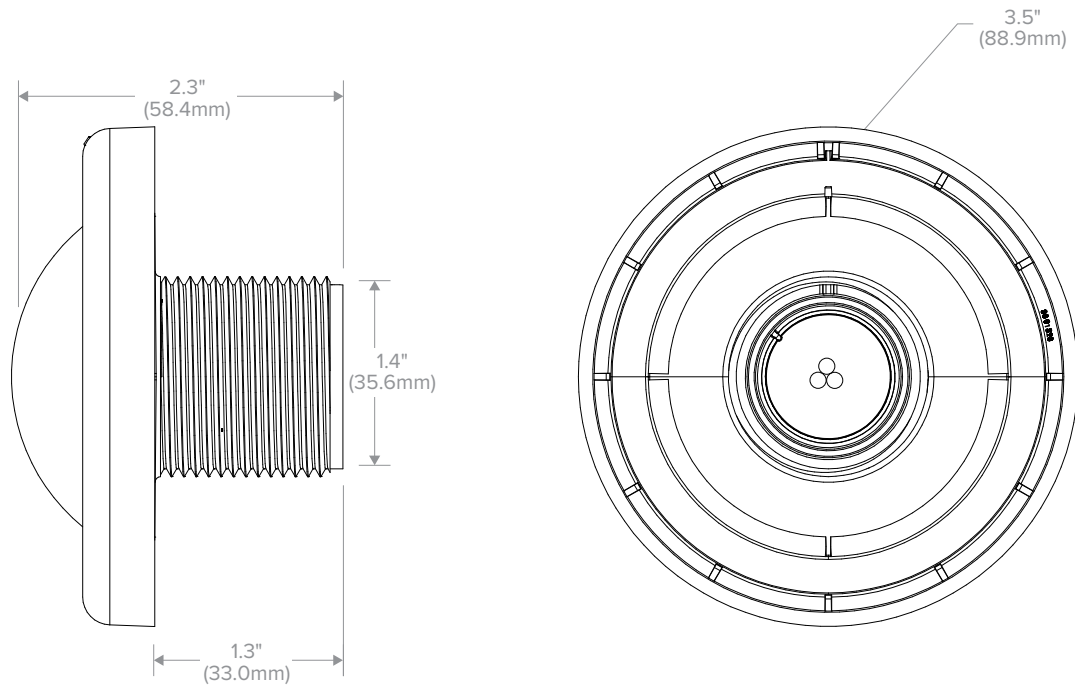
## ORDERING GUIDE

Example: BTSMP-LMO, BTSMP-LMO-A-BK

CATALOG #

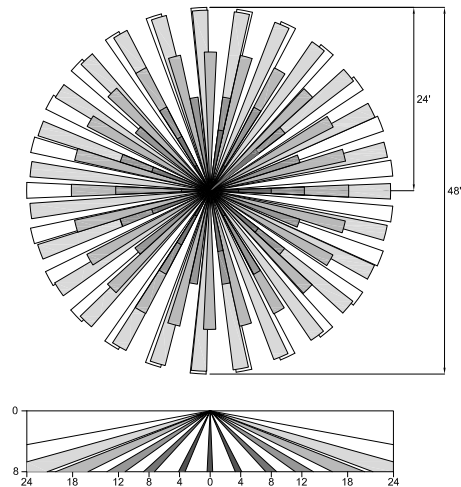
BTSMP		Sensor Type		Color	
Model					
BTSMP	Bluetooth Sensor Module with Passive Infrared Sensing Technology, 24VDC	LMO	Low Mount Outdoor, 360° Lens	Blank	White
		LMO-A	Low Mount Outdoor, Aisle Lens	BK	Black
				GY	Gray

## DIMENSIONS



## ADDITIONAL INFORMATION

### Coverage Patterns



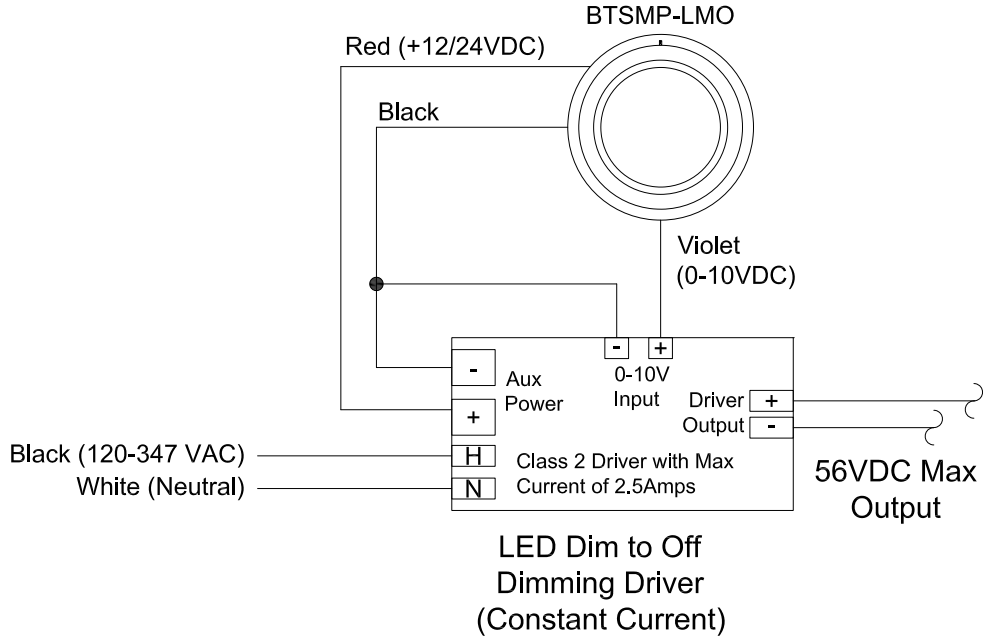
Sensor Lens Coverage and Detection Patterns  
When Mounted at 8ft with Low Mount Lens

# BTSMP SERIES

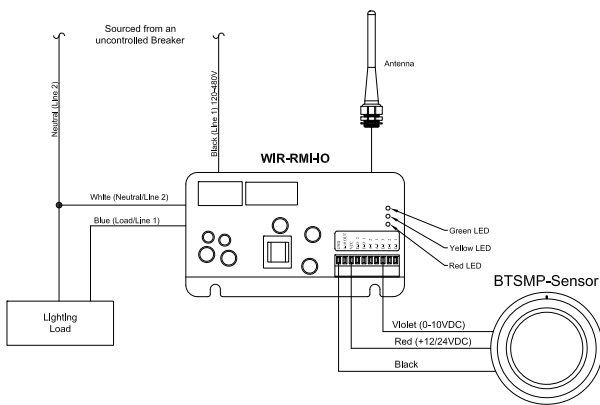
BLUETOOTH® LOW MOUNT OUTDOOR PASSIVE INFRARED FIXTURE SENSOR

## ADDITIONAL INFORMATION (CONTINUED)

### Wiring Diagrams

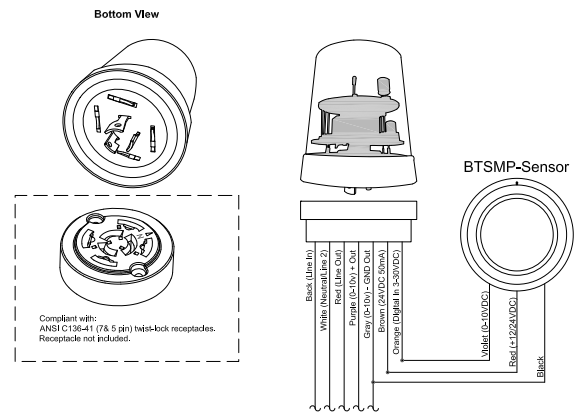


BTSMP Sensor Connected to Dim to OFF Driver with Aux Supply (+12/24VDC)



NOTE: Disconnect power prior to installation.

wiSCAPE® Wiring Diagram with WIR-RMI-IO with a BTSMP Sensor



NOTE: Disconnect power prior to installation.

wiSCAPE Wiring Diagram with WIR-RME-L with a BTSMP Sensor