

Top and side entry hoods with knurled screws

D-Sub

Identification No. of contacts Part number Drawing Dimensions in mm

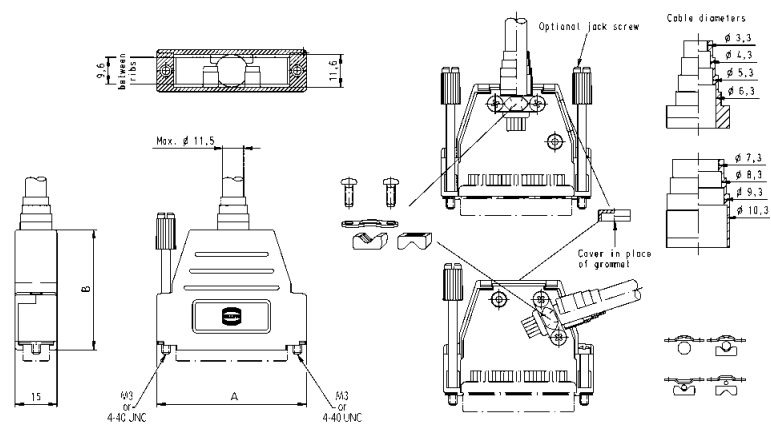
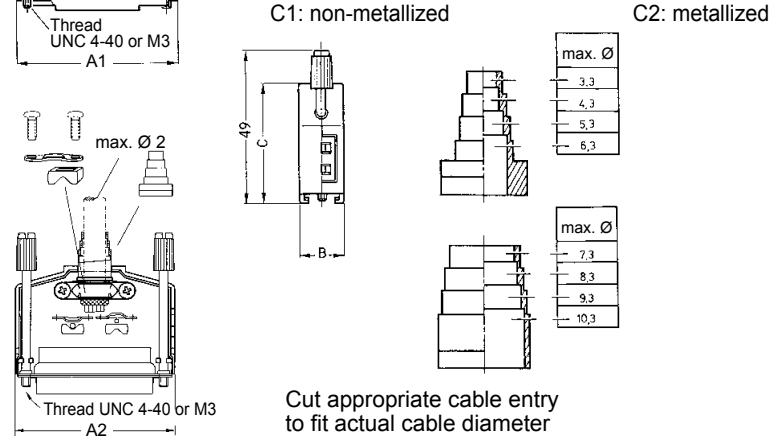
Top entry hood Black thermoplastic	9	09 67 009 042
	15	09 67 015 042
Please insert digit for screw option	25	09 67 025 042
	37	09 67 037 042
Knurled screw, thread 4-40 UNC ▶ 4	50	09 67 050 042
Knurled screw, thread M3 ▶ 6		

Top entry hood Metallized thermoplastic	9	09 67 009 042
	15	09 67 015 042
	25	09 67 025 042
	37	09 67 037 042
Please insert digit for screw option		
Knurled screw, thread 4-40 UNC ▶ 5		
Knurled screw, thread M3 ▶ 7		

Top and side entry hood Black thermoplastic	9 ³⁾	09 67 009 043
	15	09 67 015 043
	25	09 67 025 043
	37 ¹⁾	09 67 037 043
Please insert digit for screw option		
Knurled screw, thread 4-40 UNC ▶ 4		
Knurled screw, thread M3 ▶ 0		

Top and side entry hood Metallized thermoplastic	9 ³⁾	09 67 009 043
	15	09 67 015 043
	25 ²⁾	09 67 025 043
	37 ¹⁾	09 67 037 043
Please insert digit for screw option		
Knurled screw, thread 4-40 UNC ▶ 5		
Knurled screw, thread M3 ▶ 1		

	A1	A2	B	C1	C2	max. Ø 1	max. Ø 2
9	31.5	32.5	15	34	38	8.0	11.5
15	40.0	41.0	15	34	38	11.5	11.5
25	53.5	54.5	15	40	40	11.5	11.5
37	71.0	71.0	15	40	40	11.5	11.5
50	67.5		19	40		14.0	



	A	B
9	31.5	40
15	40.0	40
25	53.5	43
37	71.3	40

- 37-pole is only available with side entry and with knurled screw, thread 4-40 UNC
- Cable clamp kit for two outputs is available as accessories (it includes: screw, metal clamp, plastic insert and grommet). With Part number 09 67 001 9988 ten of these kits are delivered.
- 9-pole hood provided with only one screw on the opposite side of the cable entry.