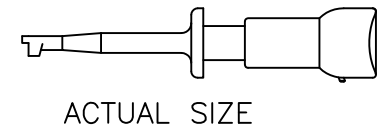
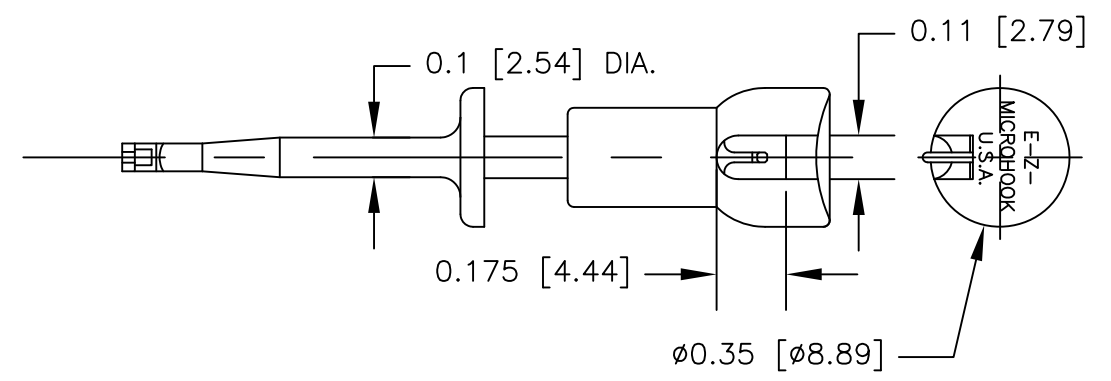
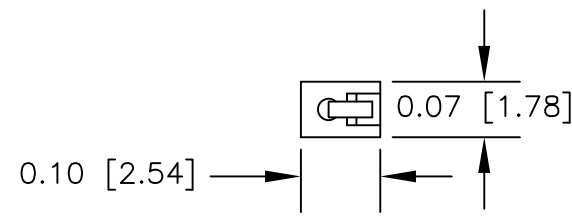
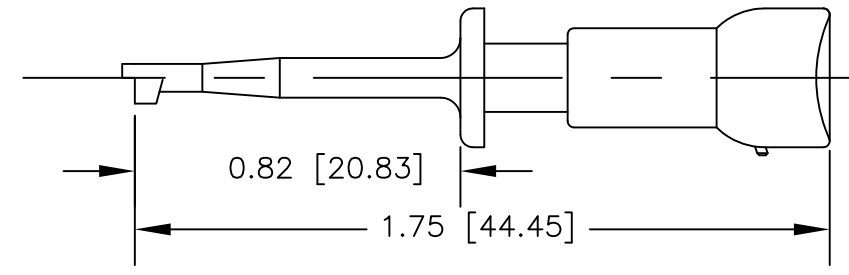
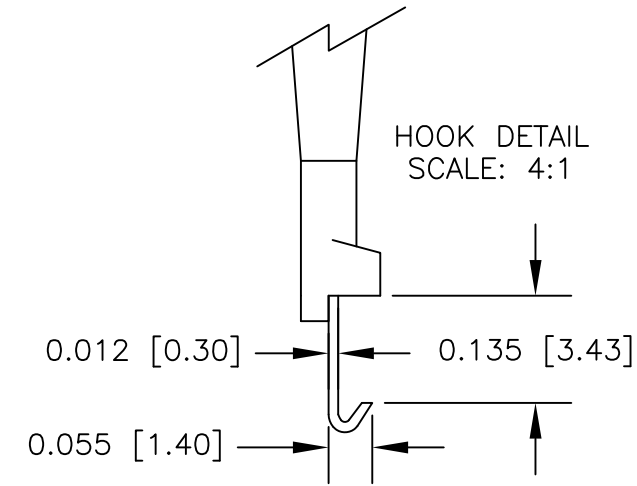
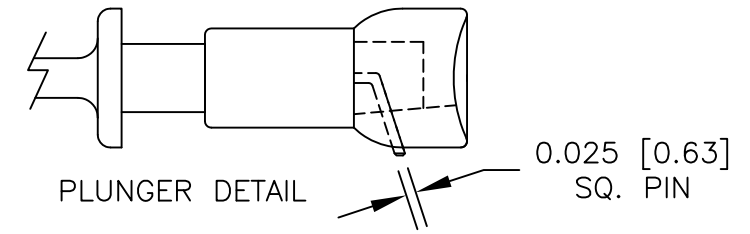


NOTES: UNLESS OTHERWISE SPECIFIED

- CONSTRUCTION:
HOUSING & PLUNGER: NYLON. AVAILABLE IN TEN COLORS.
CONTACT BLADE: GOLD PLATED BeCu.
SPRING: STAINLESS STEEL.
- PERFORMANCE:
MAXIMUM CURRENT: 6.1 AMPS WITH 77° TEMPERATURE RISE.
MAXIMUM VOLTAGE: 3.0 KV
MAXIMUM TEMPERATURE: 200°F (93°C)
- FEATURES:
HOOK FITS COMPONENTS UP TO $\phi 0.045$ [$\phi 1.14$].
PIN PERMITS CONNECTION TO 0.025^2 [0.64^2]
OR $\phi 0.030$ [$\phi 0.76$] SOCKETS.

REVISIONS		DATE	APPROVED
LTR	DESCRIPTION		



		UNLESS OTHERWISE SPECIFIED DIMENSIONS ARE IN INCHES TOLERANCES ARE: FRACTIONS DECIMALS ANGLES ± .XX ±0.03 ± .XXX ±0.032	CONTRACT NO.		E-Z-HOOK DIVISION OF TEKTEST INC. ARCADIA, CA 91006 U.S.A.
			APPROVALS	DATE	
		MATERIAL SEE NOTE.	DRAWN	R.L. 6/09	DESCRIPTION E-Z-MICRO HOOK WITH 0.025 [0.64] SQUARE PIN
			APPROVED BY		
NEXT ASSY	USED ON	FINISH SEE NOTE.			SIZE B
APPLICATION		DO NOT SCALE DRAWING			CODE IDENT NO. 08505
					DRAWING NO. XM25COLOR
					REV.
					SCALE 2:1
					SHEET 1 OF 1