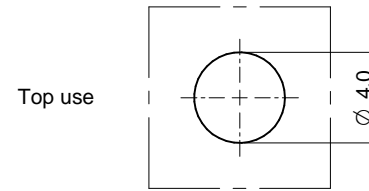
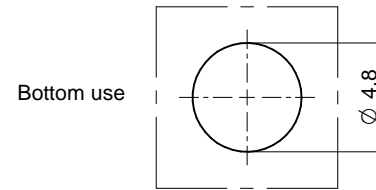


### Hole Pattern

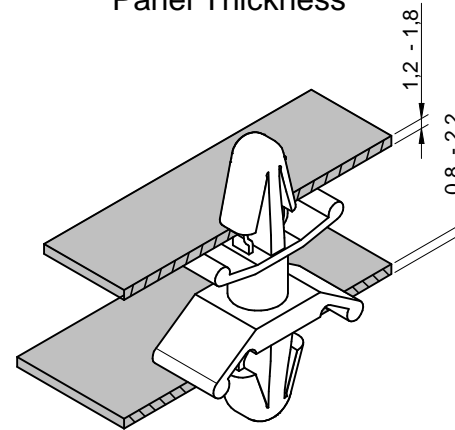


Top use



Bottom use

### Panel Thickness



Order Code	L (mm)
709 616 100	3.8 ± 0.2
709 616 200	4.6 ± 0.2
709 616 400	6.3 ± 0.3
709 616 600	8.0 ± 0.3
709 616 800	9.2 ± 0.3
709 617 000	12.5 ± 0.3
709 617 200	15.7 ± 0.3
709 617 400	19.0 ± 0.3
709 617 600	22.0 ± 0.4
709 617 800	25.4 ± 0.4
709 618 000	28.6 ± 0.4

Operating Temperature: -30°C up to +85°C  
Flammability according to: UL94 V-2

				Würth Elektronik eiSos GmbH & Co. KG EMC & Inductive Solutions	CREATED DaF	CHECKED SKI	GENERAL TOLERANCE DIN ISO 2768-1m	PROJECTION METHOD		SIZE A4
				Max-Eyth-Str. 1 74638 Waldenburg Germany com. +49 79 42 945 - 0	DESCRIPTION <b>AsSNSN Snap-on stop spacer, arresting on both sides</b>			TECHNICAL REFERENCE	MATERIAL Nylon 66, natural	
				www.we-online.de eiSos@we-online.de	SIZE xxx xxx xxx	WEIGHT	STATUS Released	DATE 2017-03-21	BUSINESS UNIT eiCan	PAGE 1 / 1
REV.	FILE	DATE	BY		ORDER CODE 709616xxx / 709617xxx					

