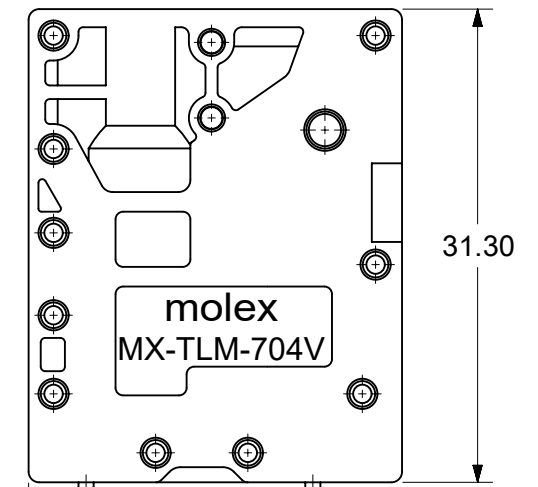
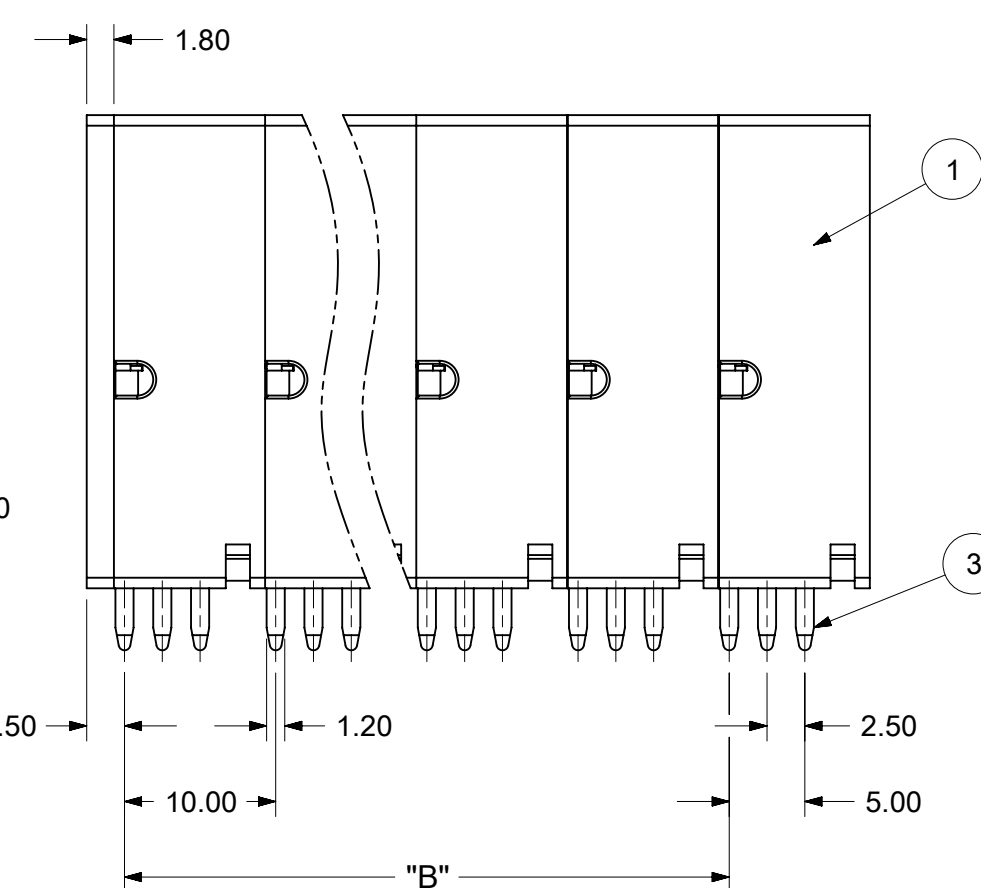
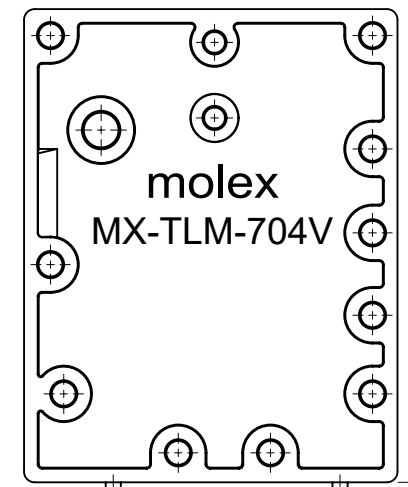


SPECIFICATIONS:

- MATERIAL:**
 - HOUSING: PA66 POLYAMIDE UL94-V0
 - CLAMPING SPRING: STAINLESS STEEL
 - TIN PLATED COPPER ALLOY
- MAXIMUM VOLTAGE: 600V (PER UL)
- MAXIMUM CURRENT: 65A (PER UL)
- WIRE RANGE: 4-20 AWG (SOLID OR STRANDED)
- INSULATION RESISTANCE: 500MΩ OR MORE AT 500V DC
- RATED SURGE VOLTAGE: 8KV
- OPERATION TEMPERATURE RANGE: -40°C TO +105°C



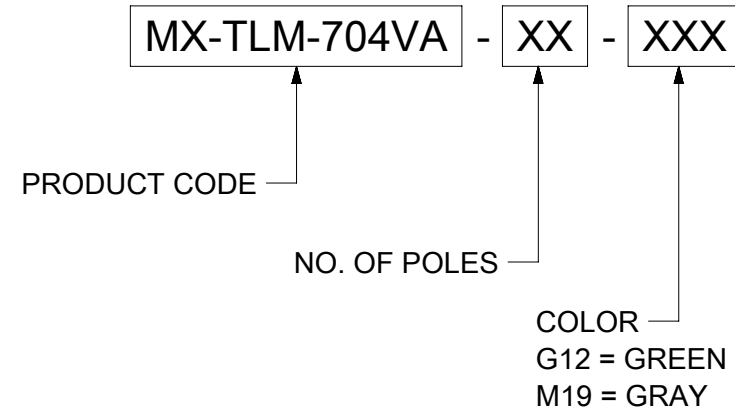
| Total Pitch Tolerances in mm | | | | | | | | | Nominal dimension range in mm | | | | | | | | | | | ⊥ | ≡ | — | // | | | | | |
|------------------------------|---------|---------|---------|---------|----------|----------|----------|----------|-------------------------------|---------|---------|---------|---------|----------|----------|----------|----------|----------|--------|---------|-----|--------|----------|----------|--|--|--|--|
| over 0 | over 30 | over 53 | over 70 | over 90 | over 115 | over 150 | over 200 | over 250 | over 0 | over 30 | over 53 | over 70 | over 90 | over 115 | over 150 | over 200 | over 250 | over 320 | over 0 | over 10 | all | over 0 | over 100 | over 150 | | | | |
| ±0.18 | ±0.20 | ±0.25 | ±0.30 | ±0.35 | ±0.44 | ±0.55 | ±0.70 | ±0.75 | ±0.20 | ±0.25 | ±0.30 | ±0.35 | ±0.44 | ±0.55 | ±0.70 | ±0.80 | ±0.90 | 10 | 0.2 | 0.3 | 0.3 | 0.2 | 0.3 | 0.5 | | | | |

THIS DRAWING CONTAINS INFORMATION THAT IS PROPRIETARY TO MOLEX ELECTRONIC TECHNOLOGIES, LLC AND SHOULD NOT BE USED WITHOUT WRITTEN PERMISSION

| | | | | |
|--|---------------------------------------|----------------|--|---------|
| FUNCTIONAL SYMBOLS | DIMENSION UNITS | SCALE | CURRENT REV DESC: CORRECTED DIM "A" IN SHEET-2 | |
| $\nabla_A = 0$ | mm | 2:1 | | |
| $\nabla_E = 0$ | GENERAL TOLERANCES (UNLESS SPECIFIED) | | | |
| $\nabla_F = 0$ | ANGULAR TOL ± --- | | | |
| DIVISIONAL SYMBOLS | 3 PLACES | ± --- | EC NO: 716755 | |
| | 2 PLACES | ± SEE CHART | DRWN: ABENJAMINLW 2022/08/04 | |
| | 1 PLACE | ± SEE CHART | CHK'D: DACHAMMER 2022/08/08 | |
| | 0 PLACES | ± --- | APPR: JFMURPHY 2020/03/09 | |
| DRAFT WHERE APPLICABLE MUST REMAIN WITHIN DIMENSIONS | | | THIRD ANGLE PROJECTION | DRAWING |
| | | | SERIES | 39700 |
| DOCUMENT NUMBER | | 397003202 | | |
| MATERIAL NUMBER | | SEE SHEET-2 | | |
| CUSTOMER | | GENERAL MARKET | | |
| DOC TYPE | | PSD | | |
| DOC PART | | 000 | | |
| REVISION | | A3 | | |
| SHEET NUMBER | | 1 OF 2 | | |

| NO. OF CIRCUITS | PART NUMBER | ENGINEERING NUMBER | COLOR | PART NUMBER | ENGINEERING NUMBER | COLOR | DIM. "A" (mm) | DIM. "B" (mm) |
|-----------------|-------------|---------------------|-------|-------------|----------------------|-------|---------------|---------------|
| 02 | 397003202 | MX-TLM-704VA-02-G12 | GREEN | 397004202 | MX-TLM-704VA-02P-M19 | GRAY | 21.80 | 10.00 |
| 03 | 397003203 | MX-TLM-704VA-03-G12 | GREEN | 397004203 | MX-TLM-704VA-03P-M19 | GRAY | 31.80 | 20.00 |
| 04 | 397003204 | MX-TLM-704VA-04-G12 | GREEN | 397004204 | MX-TLM-704VA-04P-M19 | GRAY | 41.80 | 30.00 |
| 05 | 397003205 | MX-TLM-704VA-05-G12 | GREEN | 397004205 | MX-TLM-704VA-05P-M19 | GRAY | 51.80 | 40.00 |
| 06 | 397003206 | MX-TLM-704VA-06-G12 | GREEN | 397004206 | MX-TLM-704VA-06P-M19 | GRAY | 61.80 | 50.00 |
| 07 | 397003207 | MX-TLM-704VA-07-G12 | GREEN | 397004207 | MX-TLM-704VA-07P-M19 | GRAY | 71.80 | 60.00 |
| 08 | 397003208 | MX-TLM-704VA-08-G12 | GREEN | 397004208 | MX-TLM-704VA-08P-M19 | GRAY | 81.80 | 70.00 |
| 09 | 397003209 | MX-TLM-704VA-09-G12 | GREEN | 397004209 | MX-TLM-704VA-09P-M19 | GRAY | 91.80 | 80.00 |
| 10 | 397003210 | MX-TLM-704VA-10-G12 | GREEN | 397004210 | MX-TLM-704VA-10P-M19 | GRAY | 101.80 | 90.00 |
| 11 | 397003211 | MX-TLM-704VA-11-G12 | GREEN | 397004211 | MX-TLM-704VA-11P-M19 | GRAY | 111.80 | 100.00 |
| 12 | 397003212 | MX-TLM-704VA-12-G12 | GREEN | 397004212 | MX-TLM-704VA-12P-M19 | GRAY | 121.80 | 110.00 |

ENGINEERING NUMBER LEGEND



| Total Pitch Tolerances in mm | | | | | | | | | Nominal dimension range in mm | | | | | | | | | ⊥ | ≡ | — | // | | | | | | | | |
|------------------------------|-------|-------|-------|-------|-------|-------|-------|-------|-------------------------------|-------|-------|-------|-------|-------|-------|-------|-------|------|------|------|------|------|-----|---------|-----|----|-----|----------|--|
| over | over | over | over | over | over | over | over | over | over | over | over | over | over | over | over | over | over | over | over | over | over | over | 0 | over 10 | all | 0 | 100 | over 150 | |
| 0 | 30 | 53 | 70 | 90 | 115 | 150 | 200 | 250 | 0 | 30 | 53 | 70 | 90 | 115 | 150 | 200 | 250 | 0 | 100 | 150 | 200 | to | to | to | to | to | to | | |
| ±0.18 | ±0.20 | ±0.25 | ±0.30 | ±0.35 | ±0.44 | ±0.55 | ±0.70 | ±0.75 | ±0.20 | ±0.25 | ±0.30 | ±0.35 | ±0.44 | ±0.55 | ±0.70 | ±0.80 | ±0.90 | 0.2 | 0.3 | 0.3 | 0.2 | 0.3 | 0.5 | | | | | | |

| | | | | | | | | | | | | | | |
|---|---------------------------------------|-------|---|----------------------|------------|---------------------|------------------|----------------|----------------|--|-----------------|--|--------------------------------|--|
| THIS DRAWING CONTAINS INFORMATION THAT IS PROPRIETARY TO MOLEX ELECTRONIC TECHNOLOGIES, LLC AND SHOULD NOT BE USED WITHOUT WRITTEN PERMISSION | | | | | | | | | | | | | | |
| FUNCTIONAL SYMBOLS | DIMENSION UNITS | SCALE | CURRENT REV DESC: CORRECTED DIM "A" IN SHEET-2 | | | | | | | | | | | |
| $\nabla = 0$ | mm | 2:1 | <div style="font-size: 24px; font-weight: bold; margin-bottom: 10px;">molex</div> SPRING TERMINAL BLOCK 10.00MM PITCH VERTICAL ORIENTATION | | | | | | | | | | | |
| $\nabla = 0$ | GENERAL TOLERANCES (UNLESS SPECIFIED) | | | | | | | | | | | | | |
| $\nabla = 0$ | ANGULAR TOL ± --- | | | | | | | | | | | | | |
| DIVISIONAL SYMBOLS | | | 3 PLACES ± --- | 2 PLACES ± SEE CHART | | 1 PLACE ± SEE CHART | | 0 PLACES ± --- | | DRAFT WHERE APPLICABLE MUST REMAIN WITHIN DIMENSIONS | | | | |
| EC NO: 716755 | | | DRWN: ABENJAMINLW | | 2022/08/04 | | CHK'D: DACHAMMER | | 2022/08/04 | | APPR: JFMURPHY | | 2022/08/08 | |
| INITIAL REVISION: | | | DRWN: ABENJAMINLW | | 2020/02/17 | | APPR: JFMURPHY | | 2020/03/09 | | DOCUMENT NUMBER | | DOC TYPE DOC PART REVISION | |
| THIRD ANGLE PROJECTION | | | DRAWING | | SERIES | | MATERIAL NUMBER | | CUSTOMER | | SHEET NUMBER | | DATE | |
| | | | B-SIZE | | 39700 | | SEE CHART | | GENERAL MARKET | | 2 OF 2 | | 2022/08/08 | |