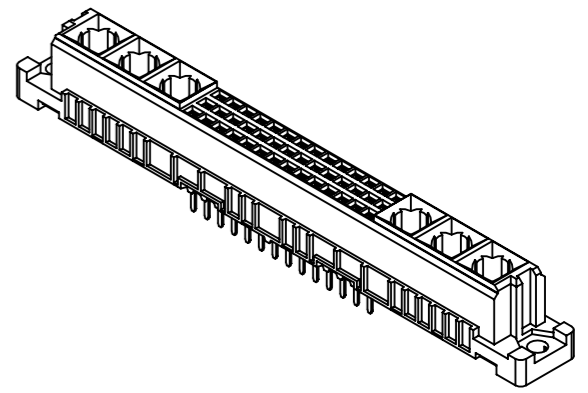


A
board drillings

A
contact arrangement

42 solder contacts
 ☒ = solder contact
 □ = position without contact

B (2:1)



09 03 242 6805	2
09 03 242 2805	1
part no.	performance level

further information see product data sheet

	All Dimensions in mm Original Size DIN A3		Scale 1:1	Free size tol. IEC 60603-2	Ref. Sub.
	All rights reserved Department EL PD		Created by STORCK	Inspected by LEHNERT	Standardisation
Date 2021-09-23		State Final Release		Title DIN Signal type M42+6 female solder 4.5 42-pole	
HARTING D-32339 Espelkamp		Type TB	Number 0903242X805		Doc-Key / ECM-Nr. 100072218/UGD/040/E 50000202700
				Rev. E	Page 1/1