

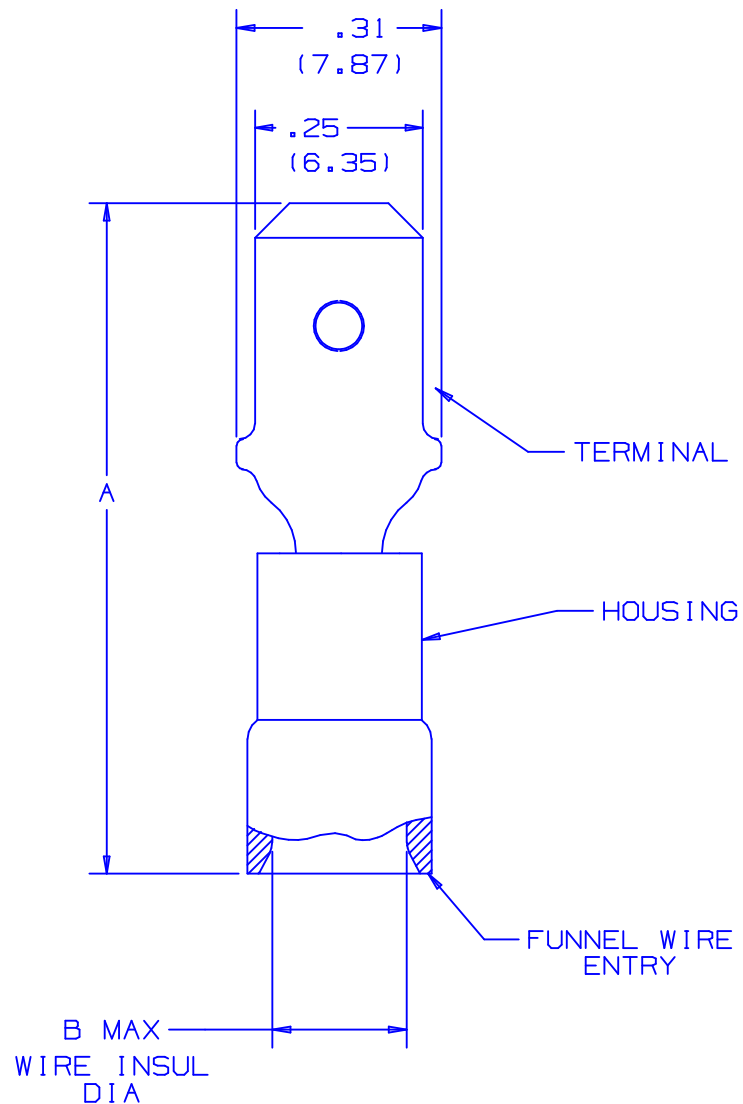
PANDUIT PART NUMBER		WIRE RANGE	COLOR CODE	DIMENSIONS in.	
PREFIX	PK			A $\pm .03$	B
DV18-250MB	-C -M -MY	22-18	RED	.98 (24.9)	.154 (3.91)
DV14-250MB	-C -M	16-14	BLUE	.96 (24.3)	.180 (4.57)

NOTES :

- CSA CERTIFIED FOR :  
A. 600 V MAX. VOLTAGE RATING  
B. 221°F (105°C) MAX. TEMP. RATING  
C. STRANDED COPPER WIRE ONLY
- MATERIAL :  
A. STAMPING - .031" THK COPPER, NICKEL PLATED  
B. HOUSING - VINYL
- DIMENSIONS IN BRACKETS ARE IN MILLIMETERS
- INSTALLATION TOOLS : CT-500, CT-550, CT-1551, CT-1550
- PACKAGE QTY. : -C=100  
-M=1000, -MY=1000



CERTIFIED  
LR31212



05	5/05	JHNU		ADDED PACKAGING CODE "MY" TO DRAWING.				
04	1/01	RM	SKB	FILESPEC WAS N41405AA_PCD_03	08925	JAC	CCH	
03		JD		ADDED CT-1551 & CT-1550 TOOLS	07634			
02	1/95	MS	LM	UPDATED NOTES AND DIMENSIONS	02947	DH	TFKE	
01	1/90	DL	LM	REVISED DWG. TO CURRENT DESIGN WITH LESS MAT'L IN TRANSITION AREA		DH	LM	
REV	DATE	BY	CHK	DESCRIPTION	ECN #	CUST	PM	

A41405\_05

**PANDUIT** CORP.

TINLEY PARK, ILLINOIS

2PC. VINYL INSULATED,  
.250 MALE TABS

DRAWN BY	CHK'D	SCALE	DRAWING NO.
JP	LM	NONE	A41405