

# Switch Mode Power Supply (240/480/960-W Models) S8VK-W

**New Three-phase Input Power Supplies harmonized with Value design for Panel concept. Saves space and contributes to reducing the wiring time.**

**With a line-up that includes two model types, 200 to 240 V input and 380 to 480 V input. Suitable for international use in a wide range of regions.**

**Supports quick identification of error locations with three status monitoring LEDs.**

**Enables stable operation of devices with the power boost function.**

- Can operate at an ambient temperature of -40 to +70°C \*1
- Side-by-side Mounting enabled \*1 \*2
- Complies with SEMI F47-0706 standard \*3
- Certification for 3,000 m altitude \*3
- Coated PCBs for Better Resistance to Environment
- Equipped with signal output that indicates DC OK and the overload status
- Five years Warranty

\*1. For details, refer to *Derating Curves* on page 9 and 20.  
 \*2. Refer to the Front, Side-by-side mounting on page 24.  
 \*3. For details, refer to *Standard Compliance* on page 4 and 15.



## S8VK-W Series

S8VK-WA Three-phase 200V Input..... from page 2  
 S8VK-WB Three-phase 400V input..... from page 11

## Common items

Common Accessories (order separately)..... from page 22  
 Common Precautions..... from page 24



**NEW**

For the most recent information on models that have been certified for safety standards, refer to your OMRON website.

Switch Mode Power Supply (240/480/960-W Models)

# S8VK-WA

S8VK-WA

## New 200 V Three-phase Input Power Supplies

### A solution to three-phase balance problems



- Can operate at an ambient temperature of -40 to +70°C \*1
- Side-by-side Mounting enabled \*1 \*2
- Complies with SEMI F47-0706 standard \*3
- Certification for 3,000 m altitude \*3
- Coated PCBs for Better Resistance to Environment
- Equipped with signal output that indicates DC OK and the overload status

Refer to *Safety Precautions* on page 24.

\*1. For details, refer to *Derating Curves* on page 9.  
 \*2. Refer to the *Front, Side-by-side mounting* on page 24.  
 \*3. For details, refer to *Standard Compliance* on page 4.

S8VK-WB

## Lineup

| Output voltage | Power rating |          |          |
|----------------|--------------|----------|----------|
|                | 240 W        | 480 W    | 960 W    |
| 24 V           | Released     | Released | Released |

## Model Number Structure

**Model Number Legend** Not all combinations are possible. Refer to List of Models in Ordering Information, below.

**S8VK-WA**        
 Series name (1) (2) (3)

### (1) Rated input voltage

| Code | Rated input voltage |
|------|---------------------|
| A    | 200 to 240 VAC      |

### (3) Output voltage

| Code | Output voltage (VDC) |
|------|----------------------|
| 24   | 24 V                 |

### (2) Power rating

| Code | Power rating |
|------|--------------|
| 240  | 240 W        |
| 480  | 480 W        |
| 960  | 960 W        |

Common Precautions

## Ordering Information

### List of Models

| Power rating | Rated input voltage   | Rated output voltage (VDC) | Rated output current | Maximum boost current | Model               |
|--------------|---|----------------------------|----------------------|-----------------------|---------------------|
| 240 W        | Three-phase / single-phase 200 to 240 VAC<br>(Allowable range:<br>Three-phase / single-phase 170 to 264 VAC,<br>240 to 350 VDC) | 24 V                       | 10 A                 | 15 A                  | <b>S8VK-WA24024</b> |
| 480 W        |   | 24 V                       | 20 A                 | 30 A                  | <b>S8VK-WA48024</b> |
| 960 W        |   | 24 V                       | 40 A                 | 60 A                  | <b>S8VK-WA96024</b> |

### Accessories (Order separately)

Refer to page 22 for S8VK-WA/S8VK-WB Common Accessories.

Common Accessories

## Ratings, Characteristics, and Functions

| Item                      | Power rating<br>Output voltage (VDC)  | 240 W  | 480 W                                   | 960 W                                    |   |
|---------------------------|---|--|---|--|---|
|                           |   | 24 V   | 24 V                                    | 24 V                                     |   |
| Efficiency *1             | Three-phase 200 VAC input   | 93% typ.   | 94% typ.                                | 95% typ.                                 |   |
|                           | Single-phase 200 VAC input  | 92% typ.   | 93% typ.                                | 94% typ.                                 |   |
|                           | Three-phase 230 VAC input   | 93% typ.   | 94% typ.                                | 95% typ.                                 |   |
|                           | Single-phase 230 VAC input  | 93% typ.   | 94% typ.                                | 95% typ.                                 |   |
| Input conditions          | Input voltage range *2  | Three-phase/single-phase 170 to 264 VAC, 265 to 300 VAC (1 second)<br>240 to 350 VDC   |   |  |   |
|                           | Frequency *2  | 50/60 Hz (47 to 63 Hz)   |   |  |   |
|                           | Input current *1  | Three-phase 200 VAC input  | 0.80 A typ.                             | 1.6 A typ.                               | 3.1 A typ.                              |
|                           |   | Single-phase 200 VAC input   | 1.4 A typ.                              | 2.6 A typ.                               | 5.2 A typ.                              |
|                           |   | Three-phase 230 VAC input  | 0.70 A typ.                             | 1.4 A typ.                               | 2.7 A typ.                              |
|                           |   | Single-phase 230 VAC input   | 1.2 A typ.                              | 2.3 A typ.                               | 4.5 A typ.                              |
|                           | Power factor *1   | 0.9 min.   |   |  |   |
|                           | Leakage current *3  | Three-phase 200 VAC input  | 1 mA max.                               |  |   |
|                           |   | Three-phase 230 VAC input  | 1 mA max.                               |  |   |
|                           | Inrush current *4<br>(for a cold start at 25°C)   | Three-phase 200 VAC input  | 13 A typ.                               | 13 A typ.                                | 14 A typ.                               |
| Three-phase 230 VAC input |   | 15 A typ.  | 15 A typ.                               | 16 A typ.                                |   |
| Output characteristics    | Rated output current  | 10 A   | 20 A                                    | 40 A                                     |   |
|                           | Power Boost Function  | 15 A   | 30 A                                    | 60 A                                     |   |
|                           | Voltage adjustment range *5   | 24 to 29.5 V (with V.ADJ)  |   | 24 to 28 V (with V.ADJ)                  |   |
|                           | Ripple noise voltage *6   | Three-phase<br>200 to 240 VAC input  | 50 mVp-p max.<br>at 20 MHz of bandwidth | 120 mVp-p max.<br>at 20 MHz of bandwidth | 60 mVp-p max.<br>at 20 MHz of bandwidth |
|                           | Input variation influence *7  | 0.5% max.  |   |  |   |
|                           | Load variation influence *8   | 1.5% max.  |   |  |   |
|                           | Temperature variation influence   | 200 to 240 VAC input   | 0.05%/°C max.                           |  |   |
|                           | Startup time *9   | Three-phase 200 VAC input  | 1,000 ms max.                           |  |   |
|                           |   | Three-phase 230 VAC input  | 1,000 ms max.                           |  |   |
|                           | Output hold time *9   | Three-phase 200 VAC input  | 35 ms typ.                              | 30 ms typ.                               | 25 ms typ.                              |
| Three-phase 230 VAC input |   | 35 ms typ.   | 30 ms typ.                              | 25 ms typ.                               |   |
| Additional functions      | Overload protection   | Yes, automatic reset, intermittent operation type<br>Refer to <i>Overload Protection</i> on page 5.  |   |  |   |
|                           | Overvoltage protection  | Yes, 130% or higher of rated output voltage, power shut off (shut off the input voltage and turn on the input again),<br>Refer to <i>Overvoltage Protection</i> on page 5. |   |  |   |
|                           | Series operation  | Yes (For up to two Power Supplies; external diodes required.)  |   |  |   |
|                           | Parallel operation  | Yes (For up to two Power Supplies), Refer to <i>Parallel Operation</i> on page 28.   |   |  |   |
|                           | INPUT OK Indicator  | Yes (LED: Green)   |   |  |   |
|                           | DC OK Indicator   | Yes (LED: Green)   |   |  |   |
|                           | Iout > 100% Indicator   | Yes (LED: Yellow)  |   |  |   |
|                           | DC OK Signal Output   | Yes (MOS FET relay output 30 VDC max., 50 mA max.)   |   |  |   |
| Insulation                | Withstand voltage   | 3.0 kVAC for 1 min. (between all input terminals and all output terminals, signal output terminals), cutoff current 20 mA  |   |  |   |
|                           |   | 2.0 kVAC for 1 min. (between all input terminals and PE terminals), cutoff current 20 mA   |   |  |   |
|                           |   | 1.0 kVAC for 1 min. (between all output terminals, signal output terminals and PE terminals), cutoff current 25 mA   |   |  |   |
|                           | 0.5 kVAC for 1 min. (between all output terminals and all signal output terminals), cutoff current 10 mA              |  |   |  |   |
| Insulation resistance     | 100 MΩ min. (between all output terminals, signal output terminals and all input terminals / PE terminals) at 500 VDC |  |   |  |   |
| Environment               | Ambient operating temperature *10   | -40 to 70°C (Derating is required according to the temperature. Refer to <i>Engineering Data</i> on page 9.) (with no condensation or icing)                               |   |  |   |
|                           | Storage temperature   | -40 to 85°C (with no condensation or icing)  |   |  |   |
|                           | Ambient operating humidity  | 95% max. (Storage humidity: 95% max.)  |   |  |   |
|                           | Vibration resistance  | 10 to 55 Hz, maximum 5 G, 0.42 mm single amplitude for 2 h each in X, Y, and Z directions  |   |  |   |
|                           | Shock resistance  | 294 m/s <sup>2</sup> , 3 times each in ±X, ±Y, ±Z directions   |   |  |   |
| Reliability               | MTBF *11  | 290,000 hrs typ.   | 230,000 hrs typ.                        | 170,000 hrs typ.                         |   |
|                           | Expected life *12   | 10 years min.  |   |  |   |
| Construction              | Weight  | 800 g max.   | 1,050 g max.                            | 1,750 g max.                             |   |
|                           | Cooling fan   | No   |   |  |   |
|                           | Degree of protection  | IP20 by EN/IEC 60529   |   |  |   |

Note: For \*1 to \*12, refer to page 4.

S8VK-WA

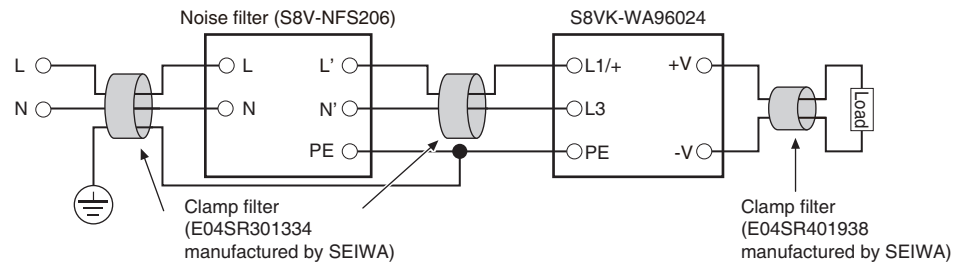
S8VK-WB

Common Precautions

Common Accessories

| Item                       | Power rating<br>Output voltage (VDC)  | 240 W   | 480 W   | 960 W |
|----------------------------|---|---|---|-------|
|                            |   | 24 V  | 24 V  | 24 V  |
| Harmonic current emissions | Conforms to EN 61000-3-2 (single-phase *13)<br>Complies with JIS C 61000-3-2 (three-phase, single-phase)  |   |   |       |
|                            | EMI   | Conducted emissions   | Conforms to EN 61204-3 Class B, EN 55011 Class B (three-phase)<br>Conforms to EN 61204-3 Class A, EN 55011 Class A (single-phase) |       |
| Standards                  |   | Radiated emissions  |   |       |
|                            | EMS   | Conforms to EN 61204-3 high severity levels                                   |   |       |
| Safety standards           | UL 508 (Listing)<br>CSA C22.2 No.107.1 (cUL)<br>UL 62368-1 (Recognition) OVC II (≤ 3000 m) Pol2<br>CSA C22.2 No.62368-1 (cUR) OVC II (≤ 3000 m) Pol2<br>EN/IEC 62477-1 OVC III (≤ 2000 m) OVC II (2000 m < and ≤ 3000 m) Pol2<br>EN/IEC 62368-1 OVC II (≤ 3000 m) Pol2<br>EAC (TR CU 004 / 2011, TR CU 020 / 2011)<br>RCM (EN61000-6-4)<br>Complies with PELV (EN/IEC 60204-1)<br>Complies with EN/IEC 61558-2-16 |   |   |       |
|                            | SEMI  | Complies with SEMI F47-0706 (three-phase / single-phase 200 to 240 VAC input) |   |       |

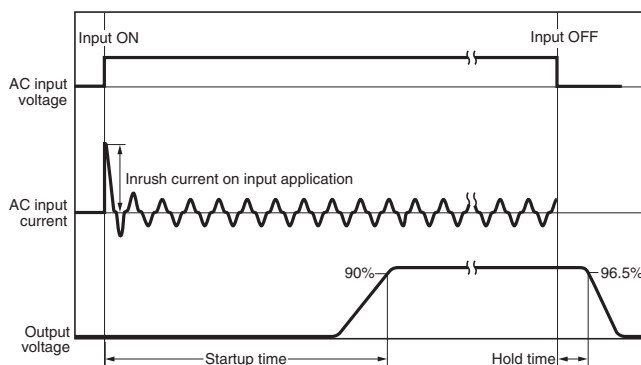
- \*1. The value is when both rated output voltage and rated output current are satisfied.
- \*2. Do not use an inverter output for the product. Inverters with an output frequency of 50/60 Hz are available, but the rise in the internal temperature of the product may result in ignition or burning. If the input is connected to a UPS, do not connect a UPS with a square-wave output. Doing so will cause the internal temperature of the product to increase, possibly causing smoking or burning.
- \*3. The value is determined according to the Electrical Appliances and Material Safety Act.
- \*4. Values for a cold start at 25°C. Refer to *Inrush Current, Startup Time, and Output Hold Time* on page 5.
- \*5. If the output voltage adjuster (V. ADJ) is turned, the voltage will increase by more than the voltage adjustment range.  
When adjusting the output voltage, confirm the actual output voltage from the product and be sure that the load is not damaged.
- \*6. The value is when both rated output voltage and rated output current are satisfied. A characteristic when the ambient operating temperature is 25°C.
- \*7. This is the maximum variation in the output voltage when the input voltage is gradually changed within the allowable input voltage range at the rated output voltage and rated output current.
- \*8. 200 to 240 VAC input, in the range of 0 A to the rated output current.
- \*9. This is the value when both rated output voltage and rated output current are satisfied and at room temperature (25°C). Refer to *Inrush Current, Startup Time, and Output Hold Time* on page 5 for details.
- \*10. At -40 to -25°C, time will be required before the rated output voltage is output after the input voltage is input.
- \*11. MTBF is calculated according to JEITA RCR-9102.
- \*12. Refer to *Recommended Replacement Periods and Periodic Replacement for Preventive Maintenance* on page 32 for details.
- \*13. EN61000-3-2 does not applied to three-phase 200 to 240 VAC input models.
- \*14. Class B compliance was met with the following configuration.



**Standard Compliance**

- To comply with PELV output requirements for EN/IEC 60204-1, ground the negative side of the output (-V) to a protective earth (PE).
- EN/IEC 61558-2-16  
The S8VK-WA was designed based on EN/IEC 61558-2-16. Currently, IEC 61558-2-17 has been replaced by IEC 61558-2-16. When certification was received for EN/IEC 60204-1 (Machinery Safety), it was necessary to go through a control transformer to the control circuits. However, a control transformer is not always necessary for product that have been certified for the safety standard for OVCIII or for product that use a transformer that complies with EN/IEC 61558-2-16.
- Safety Standards for a DC Input  
The following safety standards apply to a DC input: UL 62368-1, cUR (CSA C22.2 No. 62368-1), EN/IEC 62368-1, EN/IEC62477-1, EN/IEC 61558-2-16. Safety standard compliance is achievable by connecting a UL-certified fuse as specified below to the (L1/+) side. For a DC power input, connect (L1/+) side to (+), and (L3/-) side to (-).  
To select a UL certified fuse, refer to *Recommended circuit breakers and fuses* on page 25.

## Inrush Current, Startup Time, and Output Hold Time

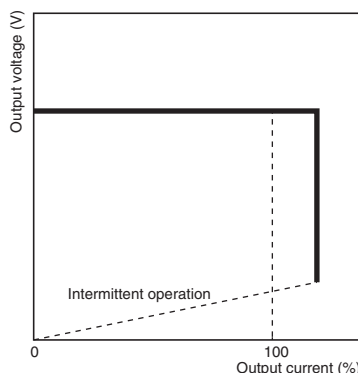


**Note:** Twice the normal inrush current will flow during parallel operation or for backup operation. Therefore, check the fusing characteristics of fuses and operating characteristics of breakers making sure that the external fuses will not burn out and the circuit breakers will not be activated by the inrush current.

## Overload Protection

The product is automatically protected from short-circuit current and overcurrent damages when the load current is in the range of 151 to 175% of the rated current.

When the output current falls within the rated range, the overload protection function is automatically cleared.



- Note:**
1. Internal parts may occasionally deteriorate or be damaged if a short-circuited or overcurrent state continues during operation. Be sure to check that the  $I_{out} > 100\%$  indicator is not lit or the  $I_{out} > 100\%$  signal output is turned OFF before using.
  2. Internal parts may possibly deteriorate or be damaged if the Power Supply is used for applications with inrush current or overloading at the load end. Do not use the Power Supply for such applications.

## Overvoltage Protection

Overvoltage will be detected to prevent the load from being subjected to excessive voltage when the feedback circuit in the Power Supply fails, etc.

When an excessive voltage that is approximately 130% of the rated output voltage or more is output, the output voltage is cut OFF, preventing damage to the load due to overvoltage.

Reset the input power by turning it OFF for at least three minutes and then turning it back ON again.

**Note:** Do not turn ON the power again until the cause of the overvoltage has been removed.

## INPUT OK Indicator

The INPUT OK indicator will light when the input voltage exceeds the lower limit value of the permissible range.

**Note:** The voltage may be applied even if the indicator does not light. Be sure to check the input voltage when performing wiring.

## DC OK Indicator/Signal Output

The DC OK indicator will light when the output voltage is more than 90% of the rated output voltage, and the internal MOS FET relay is conducted (turned ON).

- Note:**
1. The output voltage may be generated even if the indicator does not light. Be sure to check the output voltage when connecting to the load.
  2. This function monitors the voltage at the power output terminals. To check the voltage accurately, measure the voltage at the load end.
  3. If the output voltage is set to less than 90% of the rated output voltage, the indicator may go off and the signal output may be turned OFF.

## $I_{out} > 100\%$ Indicator/Signal Output

The  $I_{out} > 100\%$  indicator lights up when the output current exceeds the rated output current, and the internal MOS FET relay is conducted (turned ON).

- Note:**
1. The  $I_{out} > 100\%$  Indicator may light up, and the  $I_{out} > 100\%$  Signal Output may turn ON during peak current operation, however, the Power Supply can be used as long as the operating conditions specified in *Peak current* (P.27) are satisfied.
  2. Even when the operating conditions for parallel operation are satisfied, the  $I_{out} > 100\%$  Indicator / Signal Output may operate, so do not use the  $I_{out} > 100\%$  Indicator / Signal Output.
  3. During a short-circuit, the indicator will operate intermittently due to the overload protection function. When this happens, the indicator will blink in accordance with the intermittent operation, and the  $I_{out} > 100\%$  signal output will repeated turn ON and OFF. The shortest ON time of the  $I_{out} > 100\%$  signal output during intermittent operation is 5 ms.

## Specifications of the Signal Output Terminals (between DC OK Signal Output Terminal and COM Terminal, and between $I_{out} > 100\%$ Signal Output Terminal and COM Terminal)

Since the Signal Output is composed of the MOS FET relay, it does not have any polarity.

30 VDC max., 50 mA max.

Residual voltage when the function is ON: 2 V max.

Leakage current when the function is OFF: 0.1 mA max.

- Note:**
1. Internal current control circuits are not provided internally for output signals. Do not allow the output current to exceed 50 mA.
  2. After completing wiring, confirm that the circuits operate correctly.

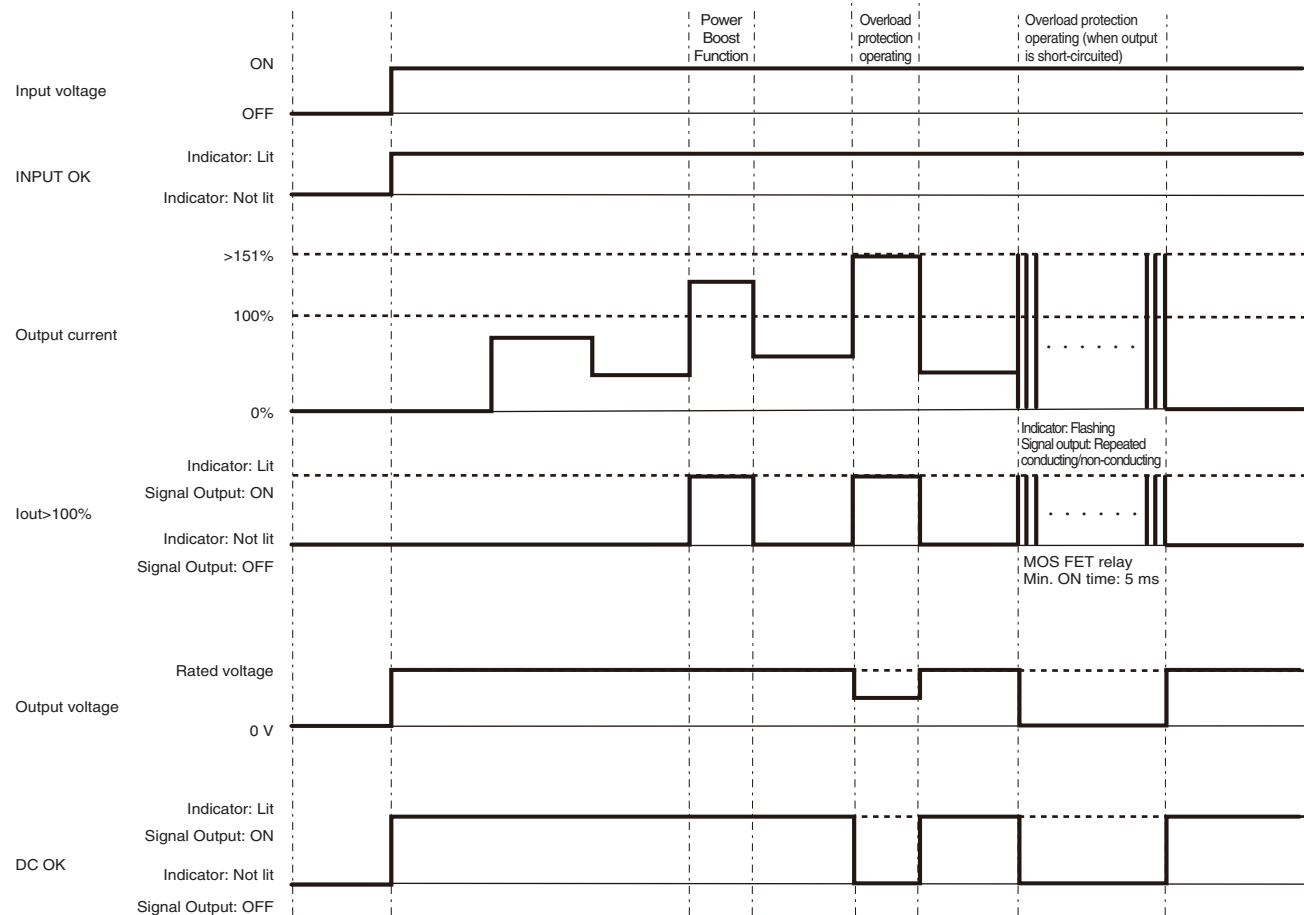
**Identification of error locations at the input, product, and load side by the Indicator or Signal Output, and troubleshooting for the same (Maintenance point indicator)**

Error locations at the input, product, and load side can be identified by the INPUT OK, DC OK, Iout > 100% Indicator / Signal Output.

| INPUT OK Indicator | DC OK Indicator/Signal Output | Iout > 100% Indicator/Signal Output | Product operating status  | Troubleshooting methods   |
|--------------------|-------------------------------|-------------------------------------|---|---|
| ●                  | ●                             | ○                                   | ---   | (Normal)  |
| ●                  | ●                             | ●                                   | Operation is being performed in excess of the rated output current of the product.                  | Change to a product with less load or larger output capacity. However, the Power Supply can be used as long as the operating conditions specified in Peak current (P.27) are satisfied.   |
| ●                  | ○                             | ●                                   | Overload protection is activated for the product, and the output voltage drops.                     | Make sure the output line and the load are not short-circuited. If there is no short-circuiting, change to a product with less load or larger output capacity.  |
| ●                  | ○                             | ⊗                                   |   |   |
| ●                  | ○                             | ○                                   | The product may have failed, or the overvoltage protection may have been activated for the product. | To check for overvoltage protection, turn the input power OFF, and then turn it ON again after 3 minutes or more has elapsed. If no output voltage is output, the product may have failed. Replace the product.   |
| ○                  | ○                             | ○                                   | No input voltage is being supplied.   | Make sure the circuit breaker connected to the input side has not tripped, or the fuse connected to the input side has not blown. Turn ON the circuit breaker or replace the fuse. Turn the input power ON again, and if no output voltage is output, the product may have failed. Replace the product. |

●: Lit / ON    ○: Not lit / OFF    ⊗: Flashing / ON · OFF

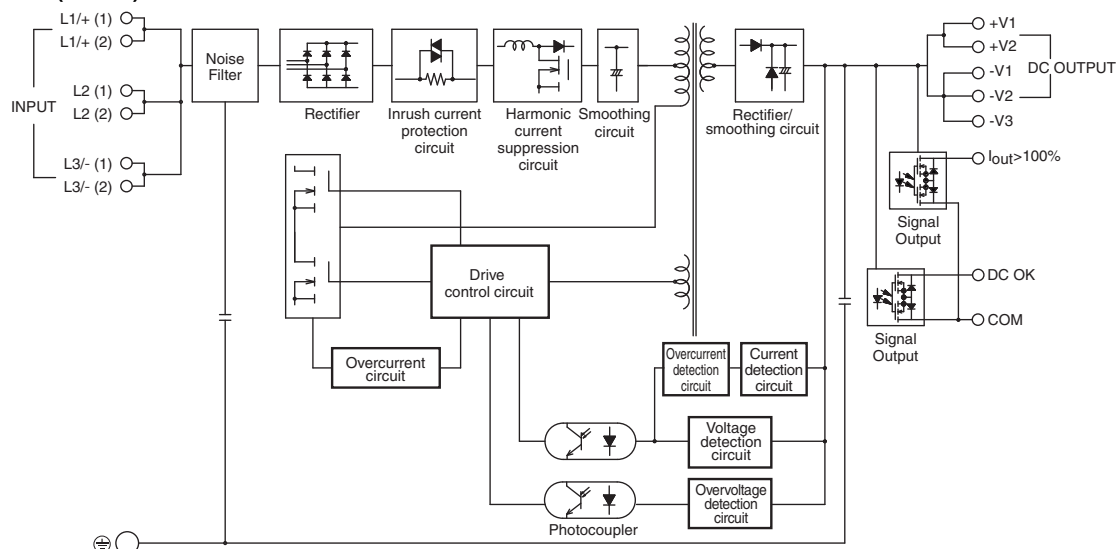
**Time chart (Operation of the Indicator/Signal Output according to the product status)**



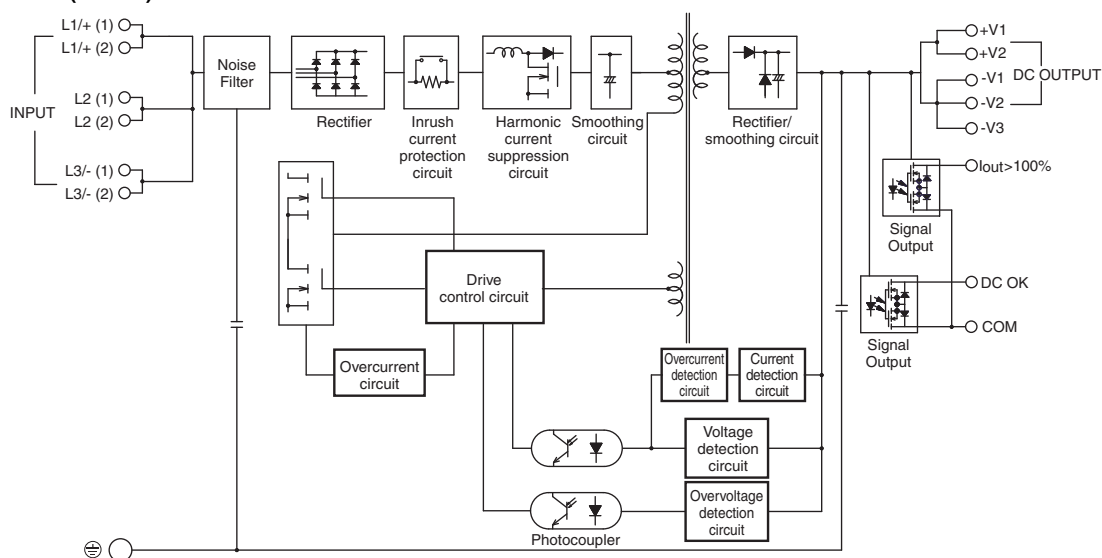
# Connections

## Block Diagrams

**S8VK-WA24024 (240 W)**



**S8VK-WA48024 (480 W)**  
**S8VK-WA96024 (960 W)**



S8VK-WA

S8VK-WB

Common Precautions

Common Accessories

# S8VK-WA

## Construction and Nomenclature

### Nomenclature

240 W

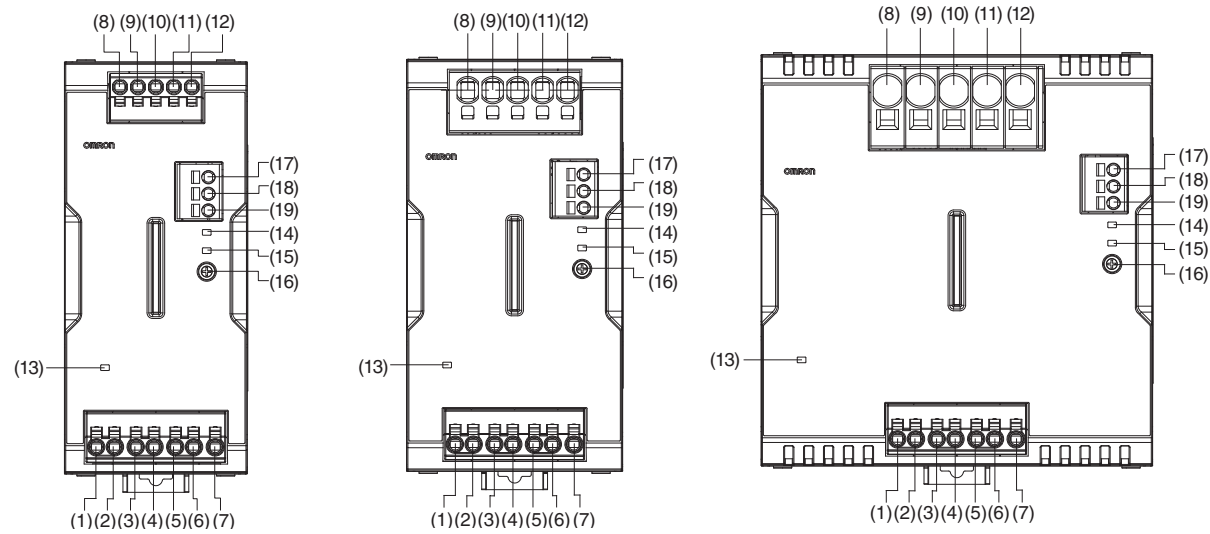
S8VK-WA24024

480 W

S8VK-WA48024

960 W

S8VK-WA96024



| No.  | Terminal name | Name  | Function  |
|------|---------------|---|---|
| (1)  | L1/+ (1)      | Input terminals                             | Connect the input lines to these terminals. *1  |
| (2)  | L1/+ (2)      |   |   |
| (3)  | L2 (1)        |   |   |
| (4)  | L2 (2)        |   |   |
| (5)  | L3/- (1)      | Protective Earth terminal (⊕)               | Connect the ground line to this terminal. *2  |
| (6)  | L3/- (2)      |   |   |
| (7)  | PE            |   |   |
| (8)  | +V1           | DC Output terminals                         | Connect the load lines to these terminals.  |
| (9)  | +V2           |   |   |
| (10) | -V1           |   |   |
| (11) | -V2           |   |   |
| (12) | -V3           |   |   |
| (13) | ---           | INPUT OK Indicator (INPUT OK: Green)        | Lights up when the input voltage exceeds the lower limit value of the permissible range.          |
| (14) | ---           | lout > 100% Indicator (lout > 100%: Yellow) | The lout > 100% Indicator lights up when the output current exceeds the rated output current.     |
| (15) | ---           | DC OK Indicator (DC OK: Green)              | Lights up when the output voltage is more than 90% of the rated output voltage.                   |
| (16) | ---           | Output voltage adjuster (V.ADJ)             | Use to adjust the output voltage.   |
| (17) | lout > 100%   | lout > 100% Signal Output Terminal          | The lout > 100% Signal Output is output when the output current exceeds the rated output current. |
| (18) | DC OK         | DC OK Signal Output Terminal                | Outputs when the output voltage is more than 90% of the rated output voltage.                     |
| (19) | COM           | COM Terminal                                | Common terminal for Signal Output (17) and (18).  |

\*1. For a single-phase power input, connect to (L1/+) and (L3/-).

For a DC power input, connect (L1/+) to (+), and (L3/-) to (-).

(Refer to the wiring diagrams illustrated in *Recommended circuit breakers and fuses* on page 25.)

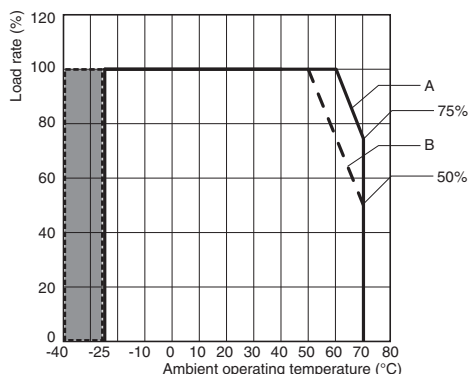
\*2. This is the protective earth terminal specified in the safety standards. Always ground this terminal.



# Engineering Data

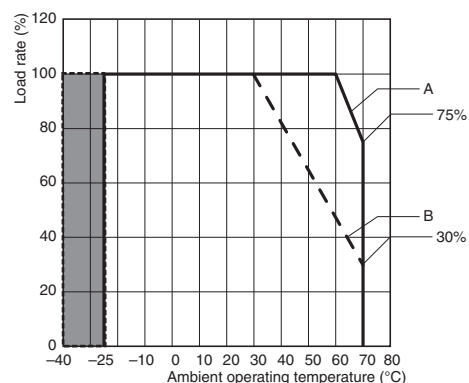
## Derating Curves

240 W <Horizontal separation: 15 mm or more>



- Note: 1.** At less than 200 VAC three-phase/single-phase, derate the load at 0.5%/V.  
**2.** At less than 280 VDC, derate the load at 1.0%/V.  
**3.** In the shaded area, time is required to reach the rated output voltage after the input voltage is applied.
- A. Standard mounting  
 B. Face-up mounting

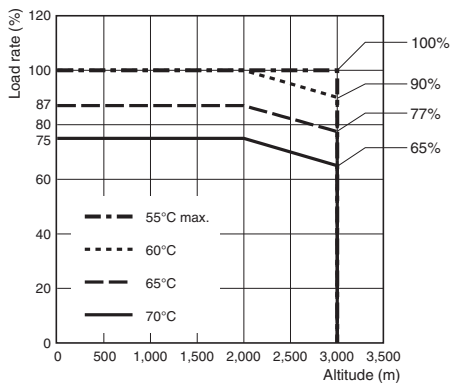
960 W <Horizontal separation: 15 mm or more>



- Note: 1.** At less than 200 VAC three-phase/single-phase, derate the load at 0.5%/V.  
**2.** At less than 280 VDC, derate the load at 1.0%/V.  
**3.** In the shaded area, time is required to reach the rated output voltage after the input voltage is applied.
- A. Standard mounting  
 B. Face-up mounting

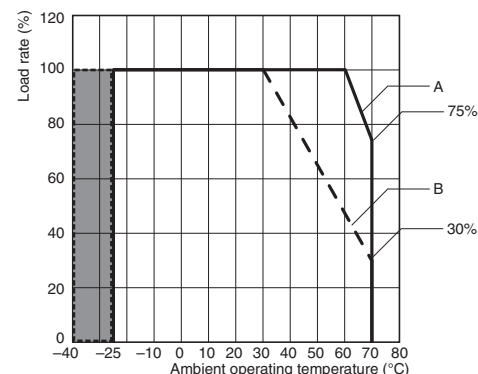
This Power Supply can be used at an altitude of up to 3,000 m. Between 2,000 and 3,000 m, derate the load according to the following derating curve.

240 W/480 W/960 W <Horizontal separation: 15 mm or more>



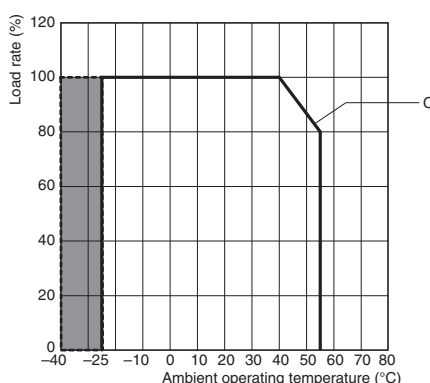
- Note: 1.** At less than 200 VAC three-phase/single-phase, derate the load at 0.5%/V.  
**2.** At less than 280 VDC, derate the load at 1.0%/V.
- A. Standard mounting

480 W <Horizontal separation: 15 mm or more>



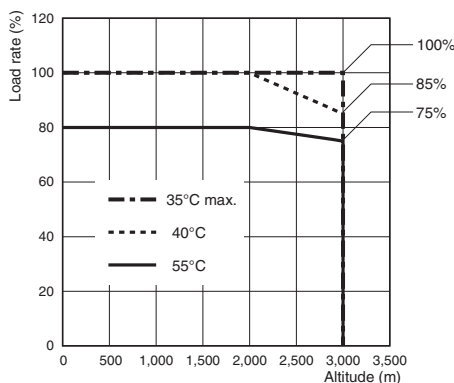
- Note: 1.** At less than 200 VAC three-phase/single-phase, derate the load at 0.5%/V.  
**2.** At less than 280 VDC, derate the load at 1.0%/V.  
**3.** In the shaded area, time is required to reach the rated output voltage after the input voltage is applied.
- A. Standard mounting  
 B. Face-up mounting

240 W/480 W/960 W <Horizontal separation: less than 15 mm>



- Note: 1.** Apply the rated input voltage for both three-phase and single-phase.  
**2.** In the shaded area, time is required to reach the rated output voltage after the input voltage is applied.
- C. Front, side-by-side mounting

240 W/480 W/960 W <Horizontal separation: less than 15 mm>



- Note:** Apply the rated input voltage for both three-phase and single-phase.
- C. Front, side-by-side mounting

S8VK-WA

S8VK-WB

Common Precautions

Common Accessories

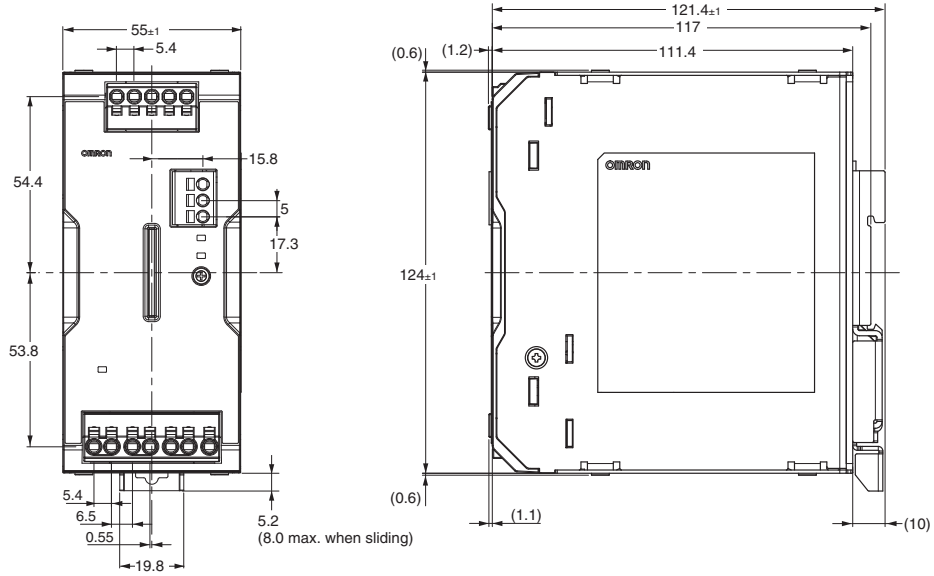
# S8VK-WA

## Dimensions

(Unit: mm)

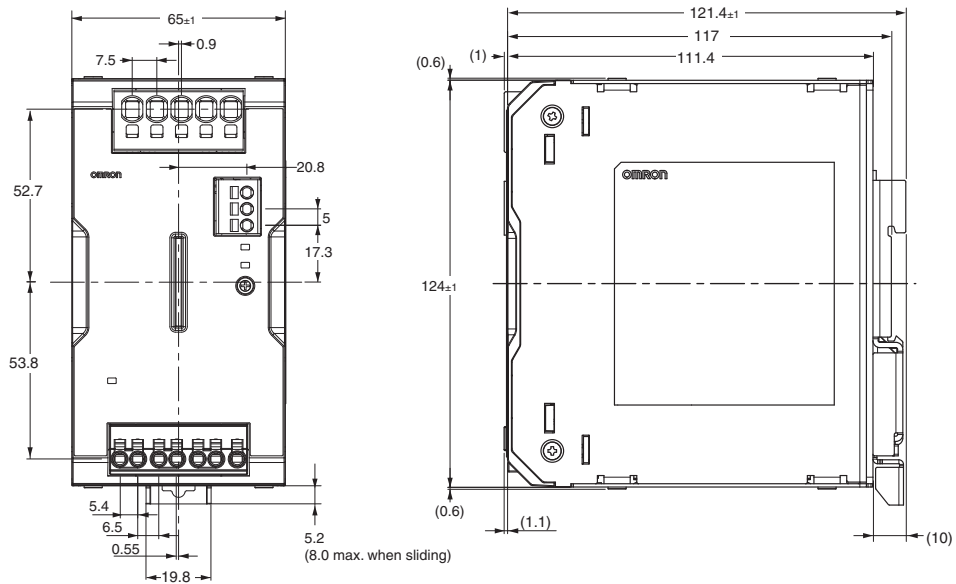
### S8VK-WA24024

S8VK-WA



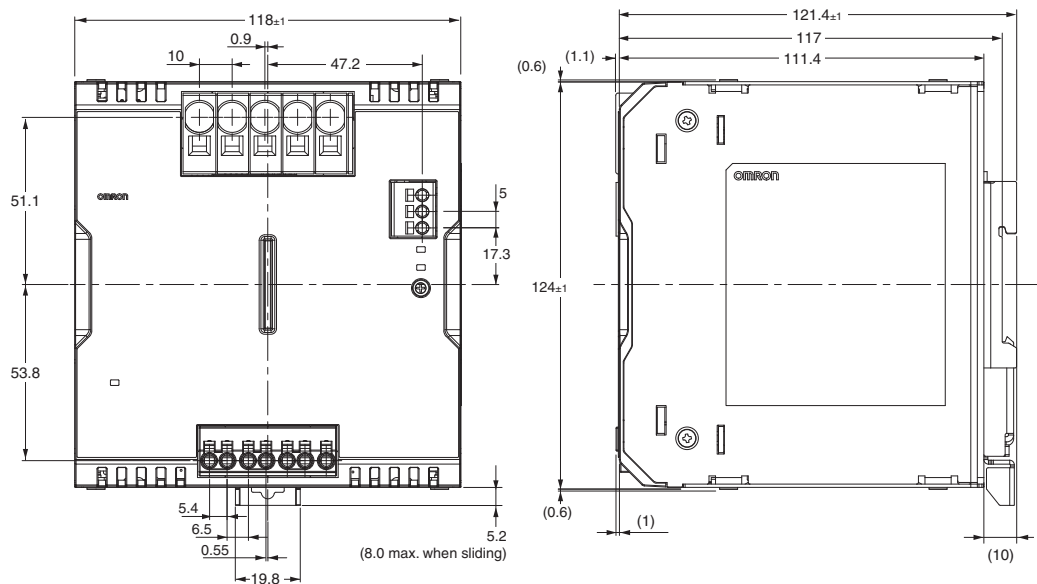
### S8VK-WA48024

S8VK-WB



### S8VK-WA96024

Common Precautions



Common Accessories

# Switch Mode Power Supply (240/480/960-W Models) S8VK-WB

Even more compact three-phase  
380 to 480 V input power supplies.

Reduces wiring work with  
the Push-In Plus terminals.

With a line-up that includes  
24 VDC and 48 VDC models.



Refer to *Safety Precautions* on page 24.

- Can operate at an ambient temperature of -40 to +70°C \*1
- Side-by-side Mounting enabled \*1 \*2
- Complies with SEMI F47-0706 standard \*3
- Certification for 3,000 m altitude \*3
- Coated PCBs for Better Resistance to Environment
- Equipped with signal output that indicates DC OK and the overload status

\*1. For details, refer to *Derating Curves* on page 20.  
 \*2. Refer to the Front, Side-by-side mounting on page 24.  
 \*3. For details, refer to *Standard Compliance* on page 15.

# S8VK-WB

## Lineup

| Output voltage | Power rating |          |          |
|----------------|--------------|----------|----------|
|                | 240 W        | 480 W    | 960 W    |
| 24 V           | Released     | Released | Released |
| 48 V           | Released     | Released | Released |

## Model Number Structure

**Model Number Legend** Not all combinations are possible. Refer to List of Models in Ordering Information, below.

**S8VK-WB**

Series name (1) (2) (3)

### (1) Rated input voltage

| Code | Rated input voltage |
|------|---------------------|
| B    | 380 to 480          |

### (2) Power rating

| Code | Power rating |
|------|--------------|
| 240  | 240 W        |
| 480  | 480 W        |
| 960  | 960 W        |

### (3) Output voltage

| Code | Output voltage (VDC) |
|------|----------------------|
| 24   | 24 V                 |
| 48   | 48 V                 |

## Ordering Information

### List of Models

| Power rating | Rated input voltage   | Rated output voltage (VDC) | Rated output current | Maximum boost current | Model               |
|--------------|---|----------------------------|----------------------|-----------------------|---------------------|
| 240 W        | Three-phase / two-phase 380 to 480 VAC<br>(Allowable range:<br>Three-phase / two-phase 320 to 576 VAC,<br>450 to 810 VDC) | 24 V                       | 10 A                 | 15 A                  | <b>S8VK-WB24024</b> |
|              |   | 48 V                       | 5 A                  | 7.5 A                 | <b>S8VK-WB24048</b> |
| 480 W        |   | 24 V                       | 20 A                 | 30 A                  | <b>S8VK-WB48024</b> |
|              |   | 48 V                       | 10 A                 | 15 A                  | <b>S8VK-WB48048</b> |
| 960 W        |   | 24 V                       | 40 A                 | 60 A                  | <b>S8VK-WB96024</b> |
|              |   | 48 V                       | 20 A                 | 30 A                  | <b>S8VK-WB96048</b> |

### Accessories (Order separately)

Refer to page 22 for S8VK-WA/S8VK-WB Common Accessories.

S8VK-WA

S8VK-WB

Common Precautions

Common Accessories

## Ratings, Characteristics, and Functions

| Item                      | Power rating                      |   | 240W   | 480W                                  | 960W                                  |
|---------------------------|-----------------------------------|---|--|---------------------------------------|---------------------------------------|
|                           | Output voltage                    |   | 24V  | 24V                                   | 24V                                   |
| Efficiency *1             | Three-phase 400 VAC input         |   | 93% typ.   | 94% typ.                              | 95% typ.                              |
|                           | Two-phase 400 VAC input           |   | 93% typ.   | 94% typ.                              | 95% typ.                              |
| Input conditions          | Input voltage range *2            |   | Three-phase/two-phase 320 to 576 VAC, 450 to 810 VDC   |                                       |                                       |
|                           | Frequency *2                      |   | 50/60 Hz (47 to 63 Hz)   |                                       |                                       |
|                           | Input current *1                  | Three-phase 400 VAC input   | 0.41 A typ.  | 0.79 A typ.                           | 1.6 A typ.                            |
|                           |                                   | Two-phase 400 VAC input   | 0.75 A typ.  | 1.5 A typ.                            | 3.0 A typ.                            |
|                           | Power factor *1                   | Three-phase 400 VAC input   | 0.9 min.   |                                       |                                       |
|                           | Leakage current *3                | Three-phase 400 VAC input   | 3.5 mA max.  |                                       |                                       |
| Inrush current *4         | Three-phase 400 VAC input         | 1.7 A typ.  | 3.0 A typ.   | 10.6 A typ.                           |                                       |
| Output characteristics    | Rated output current              |   | 10 A   | 20 A                                  | 40 A                                  |
|                           | Power Boost Function              |   | 15 A   | 30 A                                  | 60 A                                  |
|                           | Voltage adjustment range *5       |   | 24 to 29.5 V (with V.ADJ)  |                                       | 24 to 28 V (with V.ADJ)               |
|                           | Ripple noise voltage *6           | Three-phase 380 to 480 VAC input  | 100 mV p-p max. at 20 MHz of bandwidth   | 80 mV p-p max. at 20 MHz of bandwidth | 50 mV p-p max. at 20 MHz of bandwidth |
|                           |                                   | Input variation influence *7  |  | 0.5% max.                             |                                       |
|                           | Load variation influence *8       |   | 1.5% max.  |                                       |                                       |
|                           | Temperature variation influence   | 200 to 240 VAC input  | 0.05%/°C max.  |                                       |                                       |
|                           | Startup time *9                   | Three-phase 400 VAC input   | 1,000 ms max.  |                                       |                                       |
|                           | Output hold time *9               | Three-phase 400 VAC input   | 30 ms typ.   | 25 ms typ.                            | 20 ms typ.                            |
| Additional functions      | Overload protection               |   | Yes, automatic reset, intermittent operation type Refer to <i>Overload Protection</i> on page 16.  |                                       |                                       |
|                           | Overvoltage protection            |   | Yes, 130% or higher of rated output voltage, power shut off (shut off the input voltage and turn on the input again), Refer to <i>Overvoltage Protection</i> on page 16. |                                       |                                       |
|                           | Series operation                  |   | Yes (For up to two Power Supplies; external diodes required.)  |                                       |                                       |
|                           | Parallel operation                |   | Yes (For up to two Power Supplies), Refer to <i>Parallel Operation</i> on page 28.   |                                       |                                       |
|                           | INPUT OK Indicator                |   | Yes (LED: Green)   |                                       |                                       |
|                           | DC OK Indicator                   |   | Yes (LED: Green)   |                                       |                                       |
|                           | Iout > 100% Indicator             |   | Yes (LED: Yellow)  |                                       |                                       |
|                           | DC OK Signal Output               |   | Yes (MOS FET relay output 30 VDC max., 50 mA max.)   |                                       |                                       |
| Iout > 100% signal output |                                   | Yes (MOS FET relay output 30 VDC max., 50 mA max.)  |  |                                       |                                       |
| Insulation                | Withstand voltage                 |   | 3.0 kVAC for 1 min. (between all input terminals and all output terminals, signal output terminals), cutoff current 20 mA  |                                       |                                       |
|                           |                                   |   | 2.5 kVAC for 1 min. (between all input terminals and PE terminals), cutoff current 30 mA   |                                       |                                       |
|                           |                                   |   | 1.0 kVAC for 1 min. (between all output terminals, signal output terminals and PE terminals), cutoff current 25 mA   |                                       |                                       |
|                           |                                   |   | 0.5 kVAC for 1 min. (between all output terminals and all signal output terminals), cutoff current 10 mA   |                                       |                                       |
| Insulation resistance     |                                   | 100 MΩ min. (between all output terminals, signal output terminals and all input terminals / PE terminals) at 500 VDC |  |                                       |                                       |
| Environment               | Ambient operating temperature *10 |   | -40 to 70°C (Derating is required according to the temperature. Refer to <i>Engineering Data</i> on page 20.) (with no condensation or icing)                            |                                       |                                       |
|                           | Storage temperature               |   | -40 to 85°C (with no condensation or icing)  |                                       |                                       |
|                           | Ambient operating humidity        |   | 95% max. (Storage humidity: 95% max.)  |                                       |                                       |
|                           | Vibration resistance              |   | 10 to 55 Hz, maximum 5 G, 0.42 mm single amplitude for 2 h each in X, Y, and Z directions  |                                       |                                       |
|                           | Shock resistance                  |   | 294 m/s <sup>2</sup> , 3 times each in ±X, ±Y, ±Z directions   |                                       |                                       |
| Reliability               | MTBF *11                          |   | 170,000 hrs typ.   | 160,000 hrs typ.                      | 140,000 hrs typ.                      |
|                           | Expected life *12                 |   | 10 years min.  |                                       |                                       |
| Construction              | Weight                            |   | 890 g max.   | 1,200 g max.                          | 1,800 g max.                          |
|                           | Cooling fan                       |   | No   |                                       |                                       |
|                           | Degree of protection              |   | IP20 by EN/IEC 60529   |                                       |                                       |

Note: For \*1 to \*12, refer to page 15.

# S8VK-WB

S8VK-W/A

S8VK-WB

Common Precautions

Common Accessories

| Item                      | Power rating                      |   | 240W   | 480W                                  | 960W                                  |
|---------------------------|-----------------------------------|---|--|---------------------------------------|---------------------------------------|
|                           | Output voltage                    |   | 48V  | 48V                                   | 48V                                   |
| Efficiency *1             | Three-phase 400 VAC input         |   | 93% typ.   | 94% typ.                              | 96% typ.                              |
|                           | Two-phase 400 VAC input           |   | 93% typ.   | 94% typ.                              | 95% typ.                              |
| Input conditions          | Input voltage range *2            |   | Three-phase/two-phase 320 to 576 VAC, 450 to 810 VDC   |                                       |                                       |
|                           | Frequency *2                      |   | 50/60 Hz (47 to 63 Hz)   |                                       |                                       |
|                           | Input current *1                  | Three-phase 400 VAC input   | 0.41 A typ.  | 0.78 A typ.                           | 1.6 A typ.                            |
|                           |                                   | Two-phase 400 VAC input   | 0.75 A typ.  | 1.5 A typ.                            | 2.9 A typ.                            |
|                           | Power factor *1                   | Three-phase 400 VAC input   | 0.9 min.   |                                       |                                       |
|                           | Leakage current *3                | Three-phase 400 VAC input   | 3.5 mA max.  |                                       |                                       |
| Inrush current *4         | Three-phase 400 VAC input         | 1.7 A typ.  | 3.0 A typ.   | 10.6 A typ.                           |                                       |
| Output characteristics    | Rated output current              |   | 5 A  | 10 A                                  | 20 A                                  |
|                           | Power Boost Function              |   | 7.5 A  | 15 A                                  | 30 A                                  |
|                           | Voltage adjustment range *5       |   | 48 to 56 V (with V.ADJ)  |                                       |                                       |
|                           | Ripple noise voltage *6           | Three-phase 380 to 480 VAC input  | 50 mV p-p max. at 20 MHz of bandwidth  | 60 mV p-p max. at 20 MHz of bandwidth | 60 mV p-p max. at 20 MHz of bandwidth |
|                           | Input variation influence *7      |   | 0.5% max.  |                                       |                                       |
|                           | Load variation influence *8       |   | 1.5% max.  |                                       |                                       |
|                           | Temperature variation influence   | 380 to 480 VAC input  | 0.05%/°C max.  |                                       |                                       |
|                           | Startup time *9                   | Three-phase 400 VAC input   | 1,000 ms max.  |                                       |                                       |
| Output hold time *9       | Three-phase 400 VAC input         | 30 ms typ.  | 25 ms typ.   | 20 ms typ.                            |                                       |
| Additional functions      | Overload protection               |   | Yes, automatic reset, intermittent operation type Refer to <i>Overload Protection</i> on page 16.  |                                       |                                       |
|                           | Overvoltage protection            |   | Yes, 130% or higher of rated output voltage, power shut off (shut off the input voltage and turn on the input again), Refer to <i>Overvoltage Protection</i> on page 16. |                                       |                                       |
|                           | Series operation                  |   | Yes (For up to two Power Supplies; external diodes required.)  |                                       |                                       |
|                           | Parallel operation                |   | Yes (For up to two Power Supplies), Refer to <i>Parallel Operation</i> on page 28.   |                                       |                                       |
|                           | INPUT OK Indicator                |   | Yes (LED: Green)   |                                       |                                       |
|                           | DC OK Indicator                   |   | Yes (LED: Green)   |                                       |                                       |
|                           | Iout > 100% Indicator             |   | Yes (LED: Yellow)  |                                       |                                       |
|                           | DC OK Signal Output               |   | Yes (MOS FET relay output 30 VDC max., 50 mA max.)   |                                       |                                       |
| Iout > 100% signal output |                                   | Yes (MOS FET relay output 30 VDC max., 50 mA max.)  |  |                                       |                                       |
| Insulation                | Withstand voltage                 |   | 3.0 kVAC for 1 min. (between all input terminals and all output terminals, signal output terminals), cutoff current 20 mA  |                                       |                                       |
|                           |                                   |   | 2.5 kVAC for 1 min. (between all input terminals and PE terminals), cutoff current 20 mA   |                                       |                                       |
|                           |                                   |   | 1.0 kVAC for 1 min. (between all output terminals, signal output terminals and PE terminals), cutoff current 30 mA   |                                       |                                       |
|                           |                                   |   | 0.5 kVAC for 1 min. (between all output terminals and all signal output terminals), cutoff current 10 mA   |                                       |                                       |
| Insulation resistance     |                                   | 100 MΩ min. (between all output terminals, signal output terminals and all input terminals / PE terminals) at 500 VDC |  |                                       |                                       |
| Environment               | Ambient operating temperature *10 |   | -40 to 70°C (Derating is required according to the temperature. Refer to <i>Engineering Data</i> on page 20.) (with no condensation or icing)                            |                                       |                                       |
|                           | Storage temperature               |   | -40 to 85°C (with no condensation or icing)  |                                       |                                       |
|                           | Ambient operating humidity        |   | 95% max. (Storage humidity: 95% max.)  |                                       |                                       |
|                           | Vibration resistance              |   | 10 to 55 Hz, maximum 5 G, 0.42 mm single amplitude for 2 h each in X, Y, and Z directions  |                                       |                                       |
|                           | Shock resistance                  |   | 294 m/s <sup>2</sup> , 3 times each in ±X, ±Y, ±Z directions   |                                       |                                       |
| Reliability               | MTBF *11                          |   | 170,000 hrs typ.   | 160,000 hrs typ.                      | 140,000 hrs typ.                      |
|                           | Expected life *12                 |   | 10 years min.  |                                       |                                       |
| Construction              | Weight                            |   | 890 g max.   | 1,200 g max.                          | 1,800 g max.                          |
|                           | Cooling fan                       |   | No   |                                       |                                       |
|                           | Degree of protection              |   | IP20 by EN/IEC 60529   |                                       |                                       |

Note: For \*1 to \*12, refer to page 15.

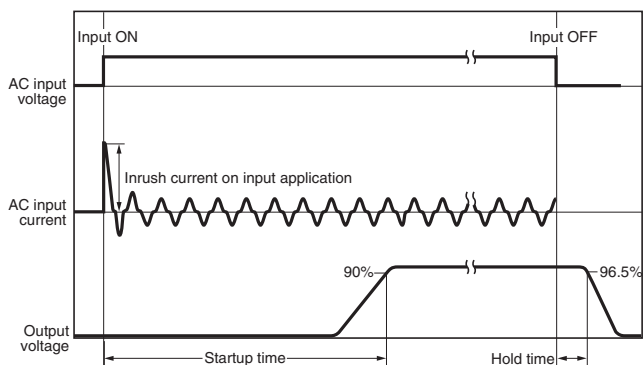
| Item             | Power rating<br>Output voltage (VDC) | 240 W  | 480 W  | 960 W     |
|------------------|--------------------------------------|--|--|-----------|
|                  |                                      | 24 V/48 V  | 24 V/48 V  | 24 V/48 V |
| Standards<br>*14 | Harmonic current emissions           |  | Conforms to EN 61000-3-2 (three-phase/two-phase) *13   |           |
|                  | EMI                                  | Conducted emissions  | Conforms to EN 61204-3 Class B,<br>EN 55011 Class B (three-phase)  |           |
|                  |                                      | Radiated emissions   | Conforms to EN 61204-3 Class A,<br>EN 55011 Class A (two-phase)  |           |
|                  | EMS                                  |  | Conforms to EN 61204-3 high severity levels  |           |
|                  | Safety standards                     |  | UL 508 Listing<br>UL 62368-1 (Recognition) OVC II ( $\leq 3000$ m) Pol2<br>CSA C22.2 No.62368-1 OVC II ( $\leq 3000$ m) Pol2<br>EN/IEC 62477-1 OVC III ( $\leq 2000$ m)<br>OVC II ( $2000$ m $<$ and $\leq 3000$ m) Pol2<br>EN/IEC 62368-1 OVC II ( $\leq 3000$ m) Pol2<br>EAC (TR CU 004 / 2011, TR CU 020 / 2011)<br>RCM (EN61000-6-4)<br>Complies with PELV (EN/IEC 60204-1)<br>Complies with EN/IEC 61558-2-16 |           |
| SEMI             |                                      | Complies with SEMI F47-0706 (three-phase 380 to 480 VAC input) |  |           |

- \*1. The value is when both rated output voltage and rated output current are satisfied.
- \*2. Do not use an inverter output for the product. Inverters with an output frequency of 50/60 Hz are available, but the rise in the internal temperature of the product may result in ignition or burning. If the input is connected to a UPS, do not connect a UPS with a square-wave output. Doing so will cause the internal temperature of the product to increase, possibly causing smoking or burning.
- \*3. The value is determined according to the Electrical Appliances and Material Safety Act.
- \*4. Values for a cold start at 25°C. Refer to *Inrush Current, Startup Time, and Output Hold Time* on page 16.
- \*5. If the output voltage adjuster (V. ADJ) is turned, the voltage will increase by more than the voltage adjustment range. When adjusting the output voltage, confirm the actual output voltage from the product and be sure that the load is not damaged.
- \*6. The value is when both rated output voltage and rated output current are satisfied.  
A characteristic when the ambient operating temperature is 25°C.
- \*7. This is the maximum variation in the output voltage when the input voltage is gradually changed within the allowable input voltage range at the rated output voltage and rated output current.
- \*8. 380 to 480 VAC input, in the range of 0 A to the rated output current.
- \*9. This is the value when both rated output voltage and rated output current are satisfied and at room temperature (25°C).  
Refer to *Inrush Current, Startup Time, and Output Hold Time* on page 16 for details.
- \*10. At -40 to -25°C, time will be required before the rated output voltage is output after the input voltage is input.
- \*11. MTBF is calculated according to JEITA RCR-9102.
- \*12. Refer to *Recommended Replacement Periods and Periodic Replacement for Preventive Maintenance* on page 32 for details.
- \*13. When using 2-phase input, conforms to EN 61000-3-2 under the following condition.  
960W: At the rated output voltage, and 80% or less than the rated output current
- \*14. Refer to *Standard Compliance* below for details.

### Standard Compliance

- To comply with PELV output requirements for EN/IEC 60204-1, ground the negative side of the output (-V) to a protective earth (PE).
- EN/IEC 61558-2-16  
The S8VK-WA was designed based on EN/IEC 61558-2-16.  
Currently, IEC 61558-2-17 has been replaced by IEC 61558-2-16.  
When certification was received for EN/IEC 60204-1 (Machinery Safety), it was necessary to go through a control transformer to the control circuits. However, a control transformer is not always necessary for product that have been certified for the safety standard for OVCIII or for product that use a transformer that complies with EN/IEC 61558-2-16.
- For the S8VK-WB, the DC input is not compliant with Safety standards.

## Inrush Current, Startup Time, and Output Hold Time

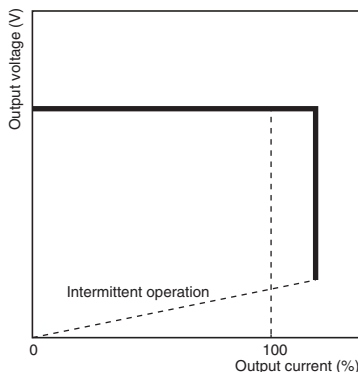


**Note:** Twice the normal inrush current will flow during parallel operation or for backup operation. Therefore, check the fusing characteristics of fuses and operating characteristics of breakers making sure that the external fuses will not burn out and the circuit breakers will not be activated by the inrush current.

## Overload Protection

The product is automatically protected from short-circuit current and overcurrent damages when the load current is in the range of 151 to 175% of the rated current.

When the output current falls within the rated range, the overload protection function is automatically cleared.



- Note:**
1. Internal parts may occasionally deteriorate or be damaged if a short-circuited or overcurrent state continues during operation. Be sure to check that the  $I_{out} > 100\%$  indicator is not lit or the  $I_{out} > 100\%$  signal output is turned OFF before using.
  2. Internal parts may possibly deteriorate or be damaged if the Power Supply is used for applications with inrush current or overloading at the load end. Do not use the Power Supply for such applications.

## Overvoltage Protection

Overvoltage will be detected to prevent the load from being subjected to excessive voltage when the feedback circuit in the Power Supply fails, etc.

When an excessive voltage that is approximately 130% of the rated output voltage or more is output, the output voltage is cut OFF, preventing damage to the load due to overvoltage.

Reset the input power by turning it OFF for at least three minutes and then turning it back ON again.

**Note:** Do not turn ON the power again until the cause of the overvoltage has been removed.

## INPUT OK Indicator

The INPUT OK indicator will light when the input voltage exceeds the lower limit value of the permissible range.

**Note:** The voltage may be applied even if the indicator does not light. Be sure to check the input voltage when performing wiring.

## DC OK Indicator/Signal Output

The DC OK indicator will light when the output voltage is more than 90% of the rated output voltage, and the internal MOS FET relay is conducted (turned ON).

- Note:**
1. The output voltage may be generated even if the indicator does not light. Be sure to check the output voltage when connecting to the load.
  2. This function monitors the voltage at the power output terminals. To check the voltage accurately, measure the voltage at the load end.
  3. If the output voltage is set to less than 90% of the rated output voltage, the indicator may go off and the signal output may be turned OFF.

## $I_{out} > 100\%$ Indicator/Signal Output

The  $I_{out} > 100\%$  indicator lights up when the output current exceeds the rated output current, and the internal MOS FET relay is conducted (turned ON).

- Note:**
1. The  $I_{out} > 100\%$  Indicator may light up, and the  $I_{out} > 100\%$  Signal Output may turn ON during peak current operation, however, the Power Supply can be used as long as the operating conditions specified in *Peak current* (P.27) are satisfied.
  2. Even when the operating conditions for parallel operation are satisfied, the  $I_{out} > 100\%$  Indicator / Signal Output may operate, so do not use the  $I_{out} > 100\%$  Indicator / Signal Output.
  3. During a short-circuit, the indicator will operate intermittently due to the overload protection function. When this happens, the indicator will blink in accordance with the intermittent operation, and the  $I_{out} > 100\%$  signal output will repeated turn ON and OFF. The shortest ON time of the  $I_{out} > 100\%$  signal output during intermittent operation is 5 ms.

## Specifications of the Signal Output Terminals (between DC OK Signal Output Terminal and COM Terminal, and between $I_{out} > 100\%$ Signal Output Terminal and COM Terminal)

Since the Signal Output is composed of the MOS FET relay, it does not have any polarity.

30 VDC max., 50 mA max.

Residual voltage when the function is ON: 2 V max.

Leakage current when the function is OFF: 0.1 mA max.

- Note:**
1. Internal current control circuits are not provided internally for output signals. Do not allow the output current to exceed 50 mA.
  2. After completing wiring, confirm that the circuits operate correctly.



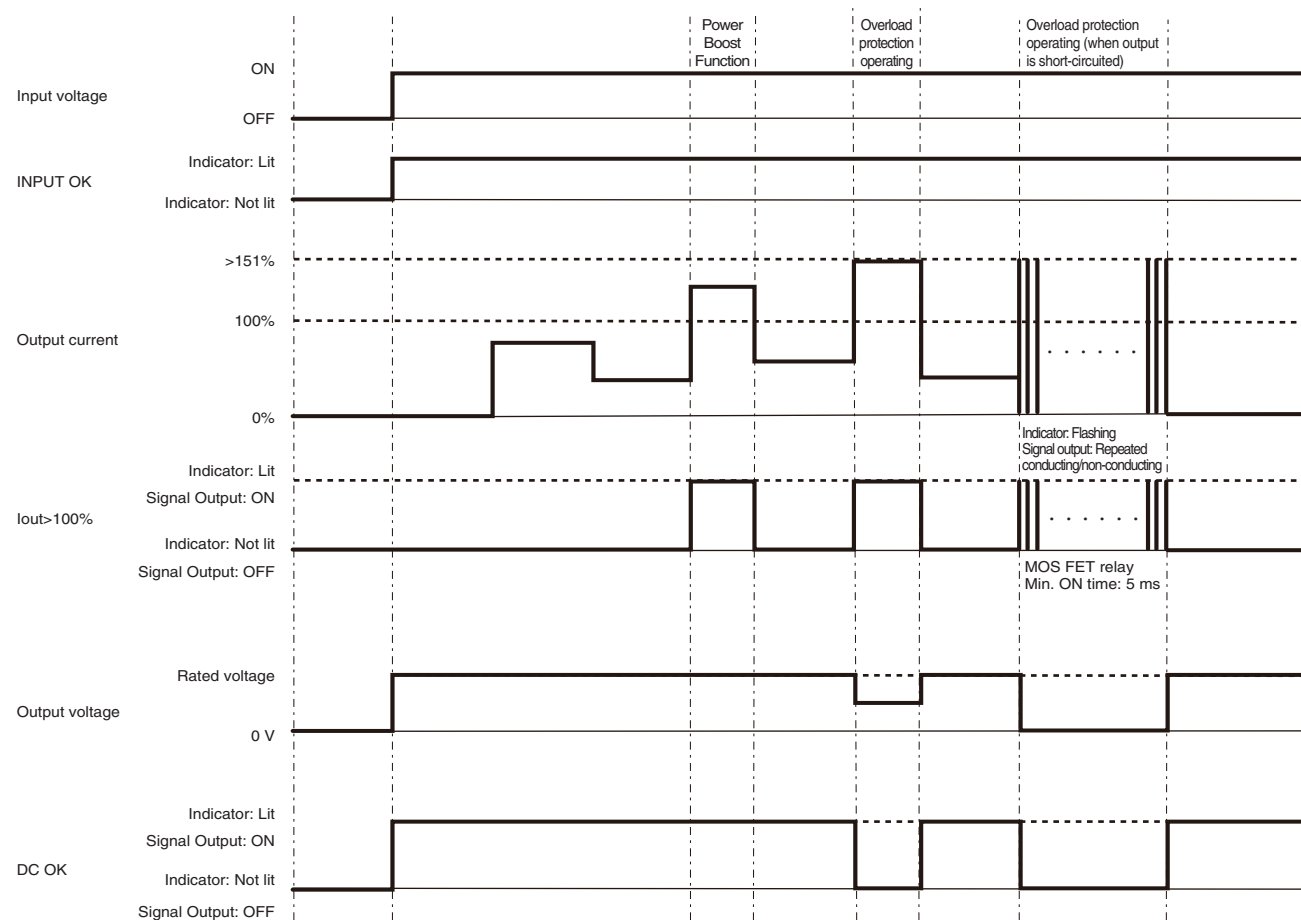
### Identification of error locations at the input, product, and load side by the Indicator or Signal Output, and troubleshooting for the same (Maintenance point indicator)

Error locations at the input, product, and load side can be identified by the INPUT OK, DC OK, Iout > 100% Indicator / Signal Output.

| INPUT OK Indicator | DC OK Indicator/Signal Output | Iout > 100% Indicator/Signal Output | Product operating status  | Troubleshooting methods   |
|--------------------|-------------------------------|-------------------------------------|---|---|
| ●                  | ●                             | ○                                   | ---   | (Normal)  |
| ●                  | ●                             | ●                                   | Operation is being performed in excess of the rated output current of the product.                  | Change to a product with less load or larger output capacity. However, the Power Supply can be used as long as the operating conditions specified in Peak current (P.27) are satisfied.   |
| ●                  | ○                             | ●                                   | Overload protection is activated for the product, and the output voltage drops.                     | Make sure the output line and the load are not short-circuited. If there is no short-circuiting, change to a product with less load or larger output capacity.  |
| ●                  | ○                             | ⊠                                   |   |   |
| ●                  | ○                             | ○                                   | The product may have failed, or the overvoltage protection may have been activated for the product. | To check for overvoltage protection, turn the input power OFF, and then turn it ON again after 3 minutes or more has elapsed. If no output voltage is output, the product may have failed. Replace the product.   |
| ○                  | ○                             | ○                                   | No input voltage is being supplied.   | Make sure the circuit breaker connected to the input side has not tripped, or the fuse connected to the input side has not blown. Turn ON the circuit breaker or replace the fuse. Turn the input power ON again, and if no output voltage is output, the product may have failed. Replace the product. |

●: Lit / ON    ○: Not lit / OFF    ⊠: Flashing / ON · OFF

### Time chart (Operation of the Indicator/Signal Output according to the product status)



S8VK-WA

S8VK-WB

Common Precautions

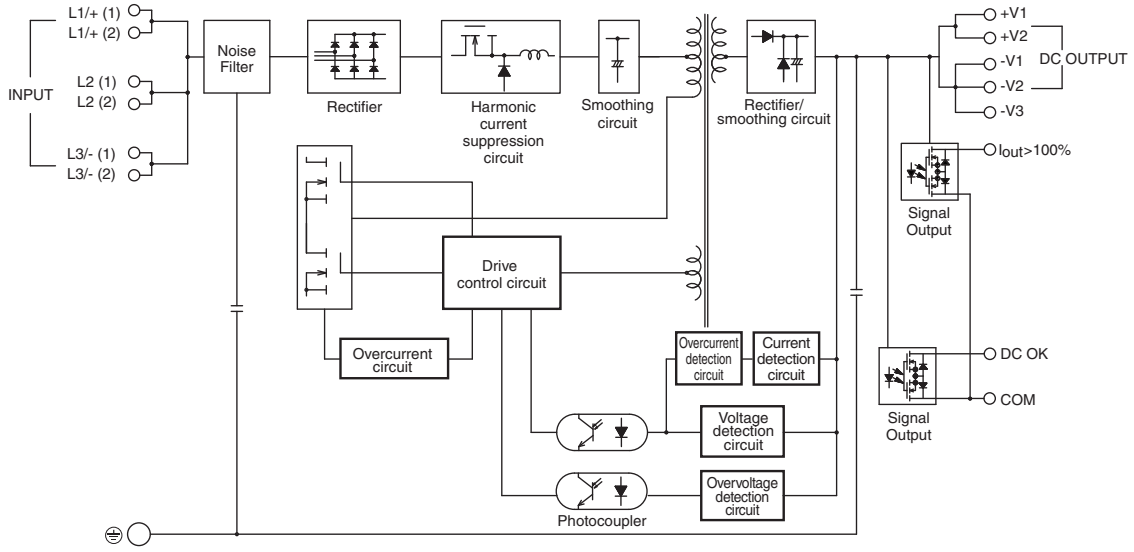
Common Accessories

# S8VK-WB

## Connections

### Block Diagrams

S8VK-WB□□□□□



S8VK-WA

S8VK-WB

Common Precautions

Common Accessories

# Construction and Nomenclature

## Nomenclature

240 W

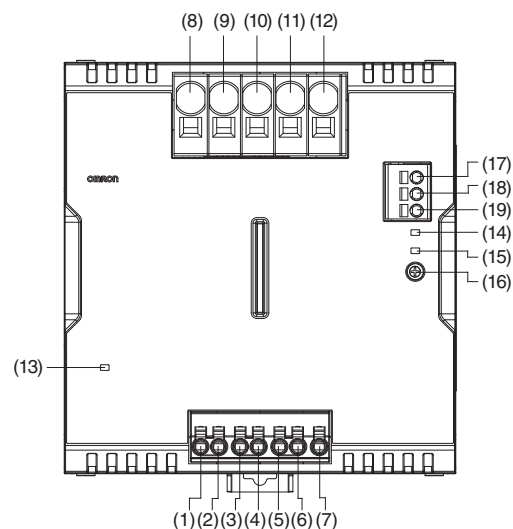
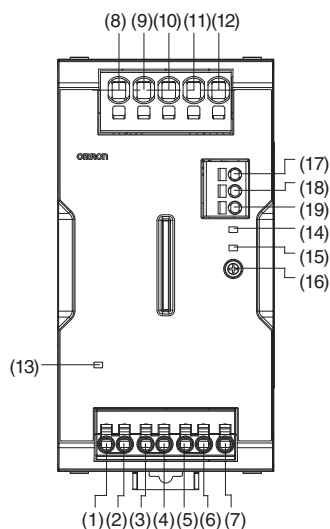
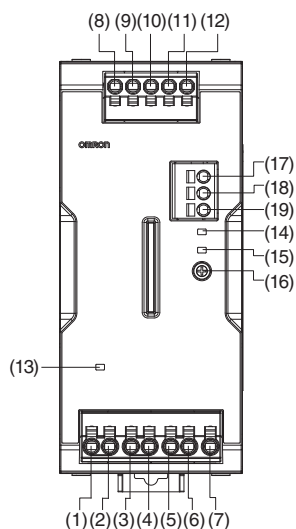
S8VK-WB240□□

480 W

S8VK-WB480□□

960 W

S8VK-WB960□□



| No.  | Terminal name | Name  | Function  |
|------|---------------|---|---|
| (1)  | L1/+ (1)      | Input terminals                             | Connect the input lines to these terminals. *1  |
| (2)  | L1/+ (2)      |   |   |
| (3)  | L2 (1)        |   |   |
| (4)  | L2 (2)        |   |   |
| (5)  | L3/- (1)      |   |   |
| (6)  | L3/- (2)      |   |   |
| (7)  | PE            | Protective Earth terminal (⊕)               | Connect the ground line to this terminal. *2  |
| (8)  | +V1           | DC Output terminals                         | Connect the load lines to these terminals.  |
| (9)  | +V2           |   |   |
| (10) | -V1           |   |   |
| (11) | -V2           |   |   |
| (12) | -V3           |   |   |
| (13) | ---           | INPUT OK Indicator (INPUT OK: Green)        | Lights up when the input voltage exceeds the lower limit value of the permissible range.          |
| (14) | ---           | lout > 100% Indicator (lout > 100%: Yellow) | The lout > 100% Indicator lights up when the output current exceeds the rated output current.     |
| (15) | ---           | DC OK Indicator (DC OK: Green)              | Lights up when the output voltage is more than 90% of the rated output voltage.                   |
| (16) | ---           | Output voltage adjuster (V.ADJ)             | Use to adjust the output voltage.   |
| (17) | lout > 100%   | lout > 100% Signal Output Terminal          | The lout > 100% Signal Output is output when the output current exceeds the rated output current. |
| (18) | DC OK         | DC OK Signal Output Terminal                | Outputs when the output voltage is more than 90% of the rated output voltage.                     |
| (19) | COM           | COM Terminal                                | Common terminal for Signal Output (17) and (18).  |

\*1. For a two-phase power input, connect to (L1/+) and (L3/-).

For a DC power input, connect (L1/+) to (+), and (L3/-) to (-).

(Refer to the wiring diagrams illustrated in *Recommended circuit breakers and fuses* on page 25.)

\*2. This is the protective earth terminal specified in the safety standards. Always ground this terminal.

S8VK-WA

S8VK-WB

Common Precautions

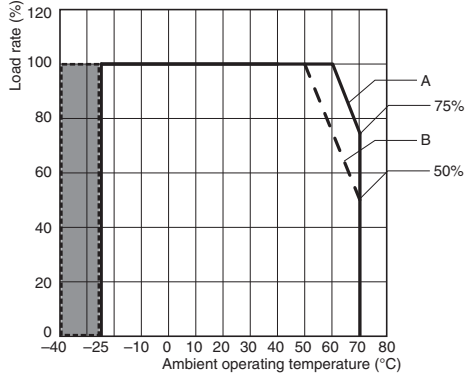
Common Accessories

# S8VK-WB

## Engineering Data

### Derating Curves

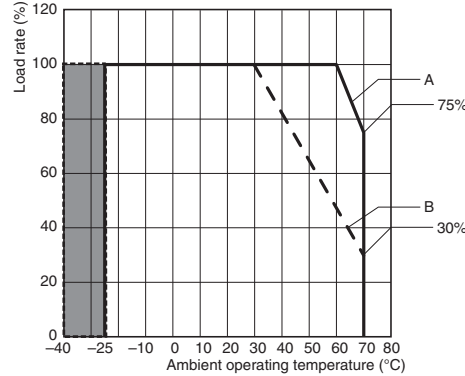
240 W <Horizontal separation: 15 mm or more>



- Note:**
1. At more than 528 VAC three-phase, derate the load at 0.5%/V.
  2. At less than 380 VAC two-phase or at more than 528 VAC two-phase, derate the load at 0.5%/V.
  3. At more than 746 VDC, derate the load at 0.5%/V.
  4. In the shaded area, time is required to reach the rated output voltage after the input voltage is applied.

A. Standard mounting, B. Face-up mounting

960 W <Horizontal separation: 15 mm or more>



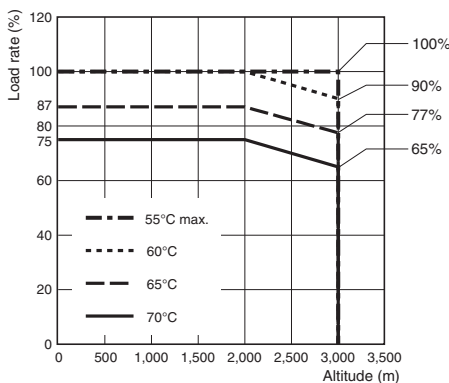
- Note:**
1. At more than 528 VAC three-phase, derate the load at 0.5%/V.
  2. At less than 380 VAC two-phase or at more than 528 VAC two-phase, derate the load at 0.5%/V.
  3. At more than 746 VDC, derate the load at 0.5%/V.
  4. In the shaded area, time is required to reach the rated output voltage after the input voltage is applied.

A. Standard mounting, B. Face-up mounting

This Power Supply can be used at an altitude of up to 3,000 m.

Between 2,000 and 3,000 m, derate the load according to the following derating curve.

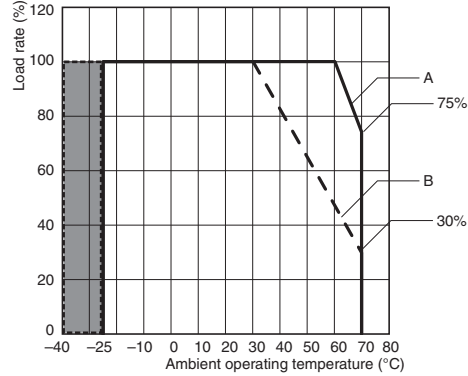
240 W/480 W/960 W <Horizontal separation: 15 mm or more>



- Note:**
1. At more than 528 VAC three-phase, derate the load at 0.5%/V.
  2. At less than 380 VAC two-phase or at more than 528 VAC two-phase, derate the load at 0.5%/V.
  3. At more than 746 VDC, derate the load at 0.5%/V.

A. Standard mounting

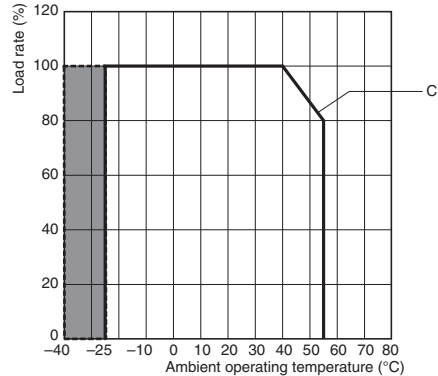
480 W <Horizontal separation: 15 mm or more>



- Note:**
1. At more than 528 VAC three-phase, derate the load at 0.5%/V.
  2. At less than 380 VAC two-phase or at more than 528 VAC two-phase, derate the load at 0.5%/V.
  3. At more than 746 VDC, derate the load at 0.5%/V.
  4. In the shaded area, time is required to reach the rated output voltage after the input voltage is applied.

A. Standard mounting, B. Face-up mounting

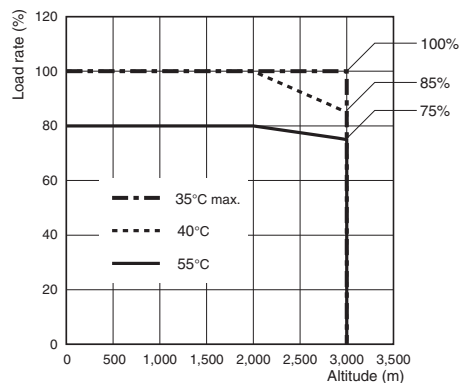
240 W/480 W/960 W <Horizontal separation: less than 15 mm>



- Note:**
1. Apply the rated input voltage for both three-phase and two-phase.
  2. In the shaded area, time is required to reach the rated output voltage after the input voltage is applied.

C. Front, side-by-side mounting

240 W/480 W/960 W <Horizontal separation: less than 15 mm>



- Note:** Apply the rated input voltage for both three-phase and two-phase.

C. Front, side-by-side mounting

S8VK-WA

S8VK-WB

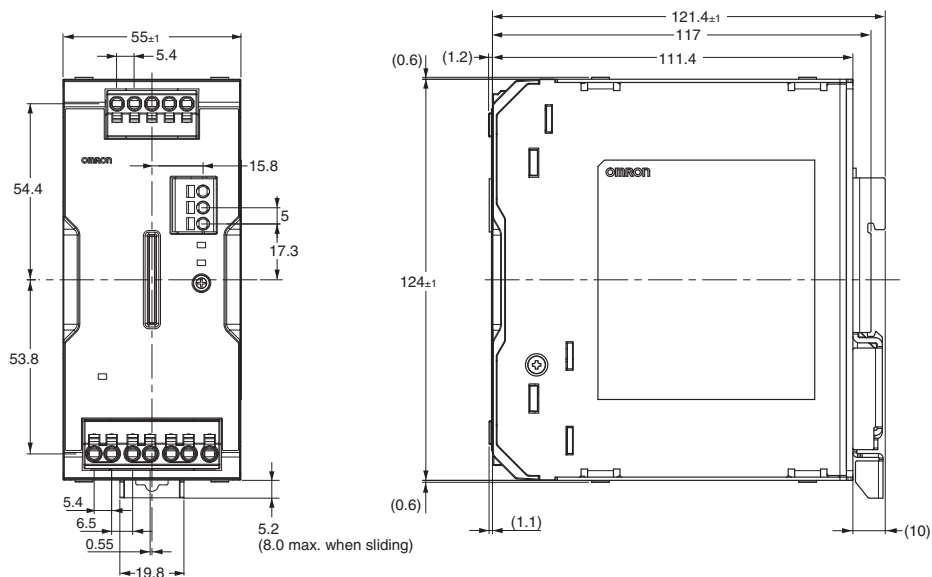
Common Precautions

Common Accessories

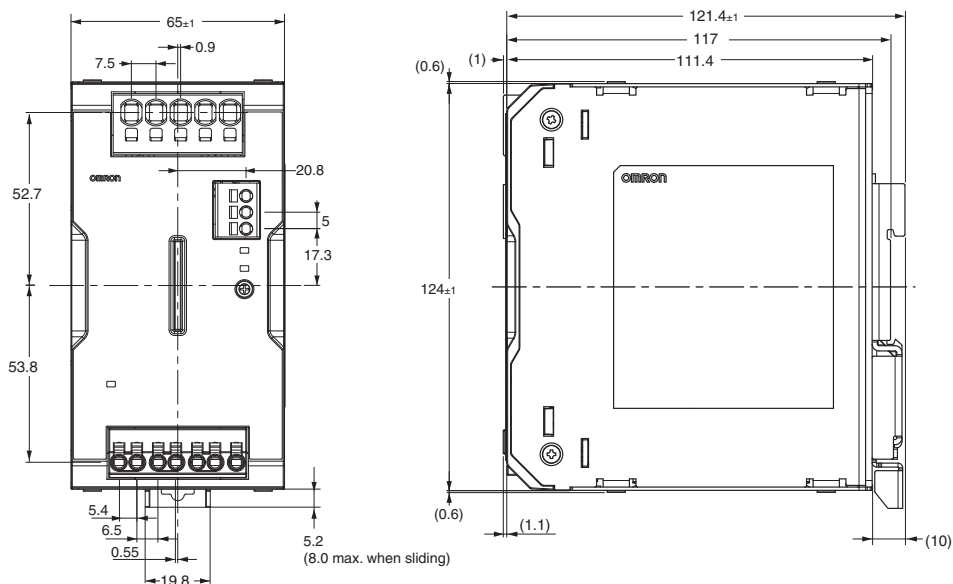
Dimensions

(Unit: mm)

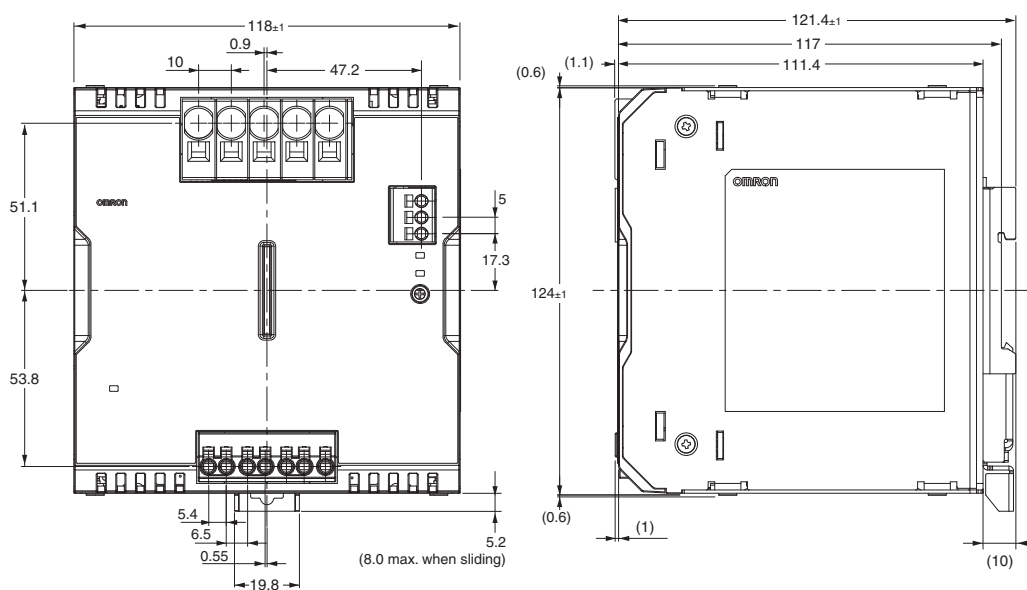
S8VK-WB240□□



S8VK-WB480□□



S8VK-WB960□□



S8VK-WA

S8VK-WB

Common Precautions

Common Accessories

# S8VK-WA/S8VK-WB

## Accessories (Order separately)

### List of Models

#### Mounting Brackets (Order Separately)

| Product name                       | Model       |
|------------------------------------|-------------|
| Front Mounting Bracket (for 240 W) | S82Y-VKW20F |
| Front Mounting Bracket (for 480 W) | S82Y-VKW40F |
| Front Mounting Bracket (for 960 W) | S82Y-VKW90F |

#### DIN Rail Mounting Parts (Order Separately)

| Part name               | Model     |
|-------------------------|-----------|
| Support Rail (Aluminum) | PFP-100N  |
|                         | PFP-50N   |
|                         | PFP-100N2 |
| End Plate               | PFP-M     |

S8VK-WA

S8VK-WB

Common Precautions

Common Accessories

Dimensions

(Unit: mm)

Mounting Brackets (Order Separately)

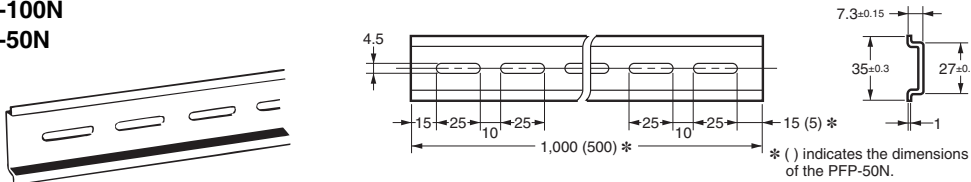
| Name   | Model       | Dimensions | Appearance |
|--|-------------|------------|------------|
| Front mounting bracket<br>(For 240 W models) | S82Y-VKW20F |            |            |
| Front mounting bracket<br>(For 480 W models) | S82Y-VKW40F |            |            |
| Front mounting bracket<br>(For 960 W models) | S82Y-VKW90F |            |            |

Note: The front mounting bracket can be used for front, side-by-side mounting as well.

DIN Rail Mounting (Order Separately)

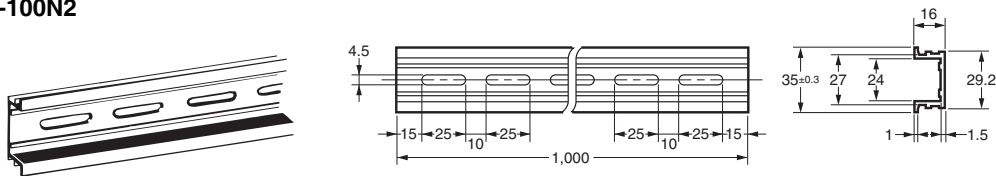
Mounting Rail (Material: Aluminum)

PFP-100N  
PFP-50N



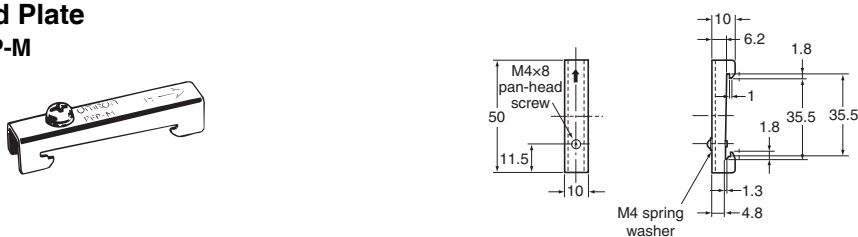
Mounting Rail (Material: Aluminum)

PFP-100N2



End Plate

PFP-M



Note: 1. If there is a possibility that the Unit will be subject to vibration or shock, use a steel DIN Rail. Otherwise, metallic filings may result from aluminum abrasion.  
2. If the Unit may be subjected to sliding to either side, attach an End Plate (PFP-M) on each side of the Unit.

S8VK-WA



S8VK-WB

Common Precautions





Common Accessories

Safety Precautions

Warning Indications

|  |   |
|--|---|
|  <b>WARNING</b> | Indicates a potentially hazardous situation which, if not avoided, will result in minor or moderate injury, or may result in serious injury or death. Additionally, there may be significant property damage. |
|  <b>CAUTION</b> | Indicates a potentially hazardous situation which, if not avoided, may result in minor or moderate injury or in property damage.  |
| <b>Precautions for Safe Use</b>  | Supplementary comments on what to do or avoid doing, to use the product safely.   |
| <b>Precautions for Correct Use</b>   | Supplementary comments on what to do or avoid doing, to prevent failure to operate, malfunction or undesirable effect on product performance.   |

Meaning of Product Safety Symbols

|  |  |
|--|--|
|   | Caution against electric shock<br>Used to warn of the risk of electric shock under specific conditions.  |
|   | Caution against high temperatures<br>Used to warn of the risk of minor injury caused by high temperatures.   |
|   | No disassembly<br>Use to indicate prohibition when there is a risk of minor injury from electrical shock or other source if the product is disassembled. |
|  | General instructions<br>Used for general mandatory action precautions for which there is no specified symbol.  |

 **WARNING**

Product failure may result in fire or electric shocks. Be sure to use the recommended circuit breaker or fuse. For details, refer to *Recommended circuit breakers and fuses* on page 25.



The electrical wire may come out and an electric shock may be caused. Insert the solid wire or ferrule straight into the terminal block until the end touches the terminal block.



 **CAUTION**

Minor electric shock, fire, or Product failure may occasionally occur. Do not disassemble, modify, or repair the Product or touch the interior of the Product.



Minor burns may occasionally occur. Do not touch the Product while power is being supplied or immediately after power is turned OFF.



Minor injury due to electric shock may occasionally occur. Do not touch the terminals while power is being supplied.



Minor electric shock, fire, or Product failure may occasionally occur. Do not allow any pieces of metal, conductors, or cuttings from installation work to enter the Power Supply.



If the circuit breaker has tripped, or the fuse has blown, there could be a severe failure in the Power Supply. Do not turn the input ON again.



**Precautions for Safe Use**

**Ambient Operating and Storage Environments**

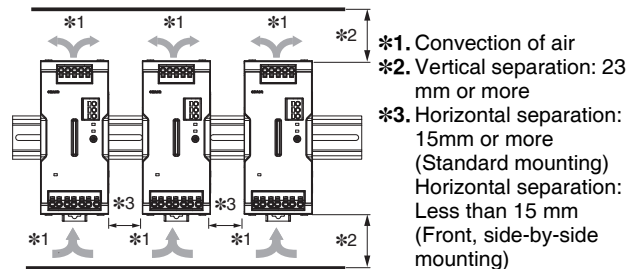
- Store the Power Supply at a temperature of -40 to +85°C and a humidity of 95% or less.
- Do not use the Power Supply in areas outside the derating curve as doing so may result in internal parts occasionally deteriorating or being damaged.
- Use the Power Supply at a humidity of 95% max.
- Do not use the Power Supply in locations subject to direct sunlight.
- Do not use locations where liquids, foreign matter, or corrosive gases may enter the interior of the Product.

**Installation Environment**

- Do not use the Product in locations subject to shocks or vibrations. In particular, install the Power Supply as far away as possible from contactors or other devices that are a vibration source.
- Install the Power Supply well away from any sources of strong, high-frequency noise and surge.
- Do not use an inverter output for the product. Inverters with an output frequency of 50/60 Hz are available, but the rise in the internal temperature of the product may result in ignition or burning.
- If the input is connected to a UPS, do not connect a UPS with a square-wave output. Doing so will cause the internal temperature of the product to increase, possibly causing smoking or burning.

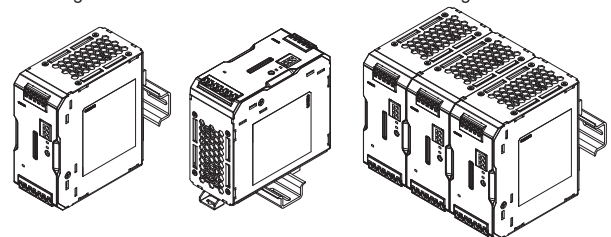
**Mounting**

- Take adequate measures to ensure proper heat dissipation to increase the long-term reliability of the Power Supply. Be sure to allow convection in the atmosphere around devices when mounting. Do not use in locations where the ambient temperature exceeds the range of the derating curve.
- When cutting out holes for mounting, make sure that cuttings do not enter the interior of the Power Supplies.
- The internal parts may occasionally deteriorate and be broken due to adverse heat radiation. Do not loosen the screws on the Power Supply.



- S8VK-W can be used in combinations with a horizontal separation of less than 15 mm (front, side-by-side mounting) only in cases of the same model being used. In such cases, use the product in accordance with a derating curve with a horizontal separation of less than 15 mm.

(A) Standard (Vertical) mounting (B) Face-up mounting (C) Front, Side-by-side mounting





**Recommended circuit breakers and fuses**

- Product failure may result in fire or electric shocks. Therefore, always use the recommended circuit breaker or fuse.
- To ensure conformance to safety standards, and secure safety of the Unit, connect an input to the Unit via the recommended circuit breakers or fuses indicated in the table below.
- A circuit breaker or fuse can be changed only by the indicated person or skilled person.

**Note:** For the S8VK-WB, the DC input is not compliant with Safety standards.

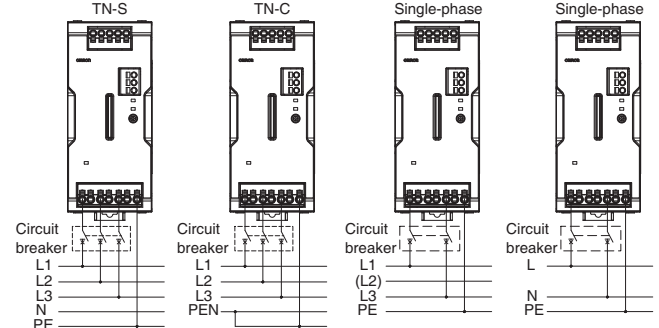
| Model                        | Input                     | Recommended product (per single Unit)  |
|------------------------------|---------------------------|--|
| S8VK-WA24024                 | Three-phase               | Circuit breaker:<br>240 VAC min., 4 to 20 A,<br>Type B, C, or D characteristics  |
|                              | Single-phase<br>Two-phase | Circuit breaker:<br>240 VAC min., 4 to 20 A,<br>Type B, C, or D characteristics  |
|                              | DC                        | Fuse:<br>Fast-acting type,<br>350 VDC min., 6 A                                  |
| S8VK-WA48024                 | Three-phase               | Circuit breaker:<br>240 VAC min., 4 to 20 A,<br>Type B, C, or D characteristics  |
|                              | Single-phase<br>Two-phase | Circuit breaker:<br>240 VAC min., 7 to 20 A,<br>Type B, C, or D characteristics  |
|                              | DC                        | Fuse:<br>Fast-acting type,<br>350 VDC min., 8 A                                  |
| S8VK-WA96024                 | Three-phase               | Circuit breaker:<br>240 VAC min., 8 to 20 A,<br>Type B, C, or D characteristics  |
|                              | Single-phase<br>Two-phase | Circuit breaker:<br>240 VAC min., 13 to 20 A,<br>Type B, C, or D characteristics |
|                              | DC                        | Fuse:<br>Fast-acting type,<br>350 VDC min., 15 A                                 |
| S8VK-WB24024<br>S8VK-WB24048 | Three-phase               | Circuit breaker:<br>480 VAC min., 4 to 20 A,<br>Type B, C, or D characteristics  |
|                              | Two-phase                 | Circuit breaker:<br>480 VAC min., 4 to 20 A,<br>Type B, C, or D characteristics  |
|                              | DC                        | Fuse:<br>Fast-acting type,<br>600 VDC min., 5 A                                  |
| S8VK-WB48024<br>S8VK-WB48048 | Three-phase               | Circuit breaker:<br>480 VAC min., 4 to 20 A,<br>Type B, C, or D characteristics  |
|                              | Two-phase                 | Circuit breaker:<br>480 VAC min., 4 to 20 A,<br>Type B, C, or D characteristics  |
|                              | DC                        | Fuse:<br>Fast-acting type,<br>600 VDC min., 5 A                                  |
| S8VK-WB96024<br>S8VK-WB96048 | Three-phase               | Circuit breaker:<br>480 VAC min., 6 to 20 A,<br>Type B, C, or D characteristics  |
|                              | Two-phase                 | Circuit breaker:<br>480 VAC min., 8 to 20 A,<br>Type B, C, or D characteristics  |
|                              | DC                        | Fuse:<br>Fast-acting type,<br>600 VDC min., 8 A                                  |

- If multiple Units are used through crossover wiring, select the circuit breaker or fuse in view of the input current and inrush current.

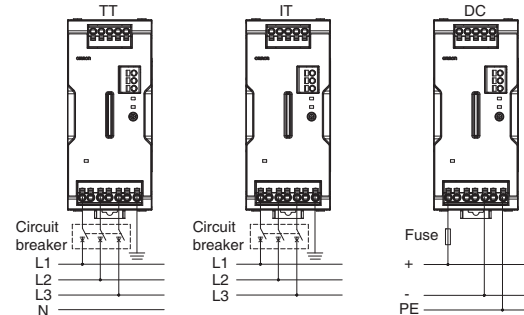
**Wiring method**

- Connect the input as shown in the figure below.
- In the case of a three-phase four-wire system, do not connect the ground and neutral wire, but connect the other three wires to "L1 +, L2, L3/-".

**Input wiring (TN-S, TN-C, single-phase)**



**Input wiring (TT, IT, DC)**



**Wiring**

- This is the protective earth terminal specified in the safety standards. Connect the ground completely. Electric shock or malfunction may occur if the ground is not connected completely.
- Minor fire may possibly occur. Ensure that DC input and output terminals are wired correctly.
- When you insert wires or insert a screwdriver into a release hole, do not press down on the terminal block with a force of 40 N or greater (100 N or greater for the output terminal block of S8VK-W□960□□ only).
- Do not wire anything to the release holes.
- Do not tilt or twist a flat-blade screwdriver while it is inserted into a release hole on the terminal block. The terminal block may be damaged.
- Insert a flat-blade screwdriver into the release holes at an angle. The terminal block may be damaged if you insert the screwdriver straight in.
- Do not allow the flat-blade screwdriver to fall out while it is inserted into a release hole.
- Do not bend a wire past its natural bending radius or pull on it with excessive force. This may cause a wire to be broken.
- Do not insert more than one wire into each terminal insertion hole.
- Do not pre-solder the ends of the wires. Doing so will inhibit proper connection.
- Be sure to remove the sheet covering the S8M for machining before power-ON so that it does not interfere with heat dissipation.
- If there is a possibility of vibration or shock, please use wires and stranded wires with ferrules.
- Minor fire may occasionally occur. Always check the voltage of the equipment when replacing the Unit, and be sure to use a conforming product.
- Use the following material for the wires after confirming the rating of the wires in order to prevent smoking or ignition.
- Use copper stranded or solid wires. However, solid wires can not be used for the S8VK-W□960□□ output terminal.

S8VK-WA

S8VK-WB

Common Precautions

Common Accessories

# S8VK-WA/S8VK-WB

S8VK-WA

## Recommended Wire Type

| Terminal                       | Model        | Recommended wire gauge |          |
|--------------------------------|--------------|------------------------|----------|
|                                |              | (mm <sup>2</sup> )     | (AWG)    |
| Input                          | S8VK-WA24024 | 0.34 to 2.5            | 22 to 14 |
|                                | S8VK-WA48024 | 0.5 to 2.5             | 20 to 14 |
|                                | S8VK-WA96024 | 0.75 to 2.5            | 18 to 14 |
| DC Output                      | S8VK-WA24024 | 2 to 2.5               | 14       |
|                                | S8VK-WA48024 | 3.5 to 6               | 12 to 10 |
|                                | S8VK-WA96024 | 8 to 16                | 8 to 6   |
| Signal Output/COM              | S8VK-WA□□□24 | 0.25 to 2.5            | 24 to 14 |
| PE (protective earth) terminal | S8VK-WA□□□24 | 2 to 2.5               | 14       |

S8VK-WB

| Terminal                       | Model        | Recommended wire gauge |          |
|--------------------------------|--------------|------------------------|----------|
|                                |              | (mm <sup>2</sup> )     | (AWG)    |
| Input                          | S8VK-WB240□□ | 0.34 to 2.5            | 22 to 14 |
|                                | S8VK-WB480□□ | 0.34 to 2.5            | 22 to 14 |
|                                | S8VK-WB960□□ | 0.5 to 2.5             | 20 to 14 |
| DC Output                      | S8VK-WB24024 | 2 to 2.5               | 14       |
|                                | S8VK-WB24048 | 0.75 to 2.5            | 18 to 14 |
|                                | S8VK-WB48024 | 3.5 to 6               | 12 to 10 |
|                                | S8VK-WB48048 | 2 to 6                 | 14 to 10 |
|                                | S8VK-WB96024 | 8 to 16                | 8 to 6   |
| Signal Output/COM              | S8VK-WB□□□□□ | 0.25 to 2.5            | 24 to 14 |
| PE (protective earth) terminal | S8VK-WB□□□□□ | 2 to 2.5               | 14       |

Common Precautions

- Input crossover wiring can be used for the input side of this Power Supply.
- Do not use crossover wiring for more than five Power Supplies, and do not allow the steady-state current to the input terminals to exceed 10 A. The above table gives the recommended wires for one Power Supply.
- If you use crossover wiring for N number of Power Supplies, a current that is N times the current for a standalone Power Supply may flow to the input terminals. Take this into consideration when you select wiring materials.
- Use min. 60°C or 60/75°C wire. (Input line only)

### Stripping Length

S8VK-WA□□□24: Input Terminals/PE Terminals  
S8VK-WA24024: DC Output Terminals

| Recommended wire gauge                   | Stripping Length (Ferrules not used) |
|--|--------------------------------------|
| 0.34 to 1.5 mm <sup>2</sup> /AWG22 to 16 | 8 mm                                 |
| 2 to 2.5 mm <sup>2</sup> /AWG14          | 10 mm                                |

S8VK-WA48024: DC Output Terminals

| Recommended wire gauge                | Stripping Length (Ferrules not used) |
|---------------------------------------|--------------------------------------|
| 3.5 to 6 mm <sup>2</sup> /AWG12 to 10 | 15 mm                                |

S8VK-WA96024: DC Output Terminals

| Recommended wire gauge             | Stripping Length (Ferrules not used) |
|------------------------------------|--------------------------------------|
| 8 to 16 mm <sup>2</sup> /AWG8 to 6 | 18 mm                                |

S8VK-WA□□□24: Signal Output Terminals/COM Terminals

| Recommended wire gauge                   | Stripping Length (Ferrules not used) |
|--|--------------------------------------|
| 0.25 to 2.5 mm <sup>2</sup> /AWG24 to 14 | 10 mm                                |

Common Accessories

S8VK-WB□□□□□: Input Terminals/PE Terminals  
S8VK-WB240□□: DC Output Terminals

| Recommended wire gauge                   | Stripping Length (Ferrules not used) |
|--|--------------------------------------|
| 0.34 to 1.5 mm <sup>2</sup> /AWG22 to 16 | 8 mm                                 |
| 2 to 2.5 mm <sup>2</sup> /AWG14          | 10 mm                                |

S8VK-WB480□□: DC Output Terminals

| Recommended wire gauge                | Stripping Length (Ferrules not used) |
|---------------------------------------|--------------------------------------|
| 3.5 to 6 mm <sup>2</sup> /AWG12 to 10 | 15 mm                                |

S8VK-WB960□□: DC Output Terminals

| Recommended wire gauge             | Stripping Length (Ferrules not used) |
|------------------------------------|--------------------------------------|
| 8 to 16 mm <sup>2</sup> /AWG8 to 6 | 18 mm                                |

S8VK-WB□□□□□: Signal Output Terminals/COM Terminals

| Recommended wire gauge                   | Stripping Length (Ferrules not used) |
|--|--------------------------------------|
| 0.25 to 2.5 mm <sup>2</sup> /AWG24 to 14 | 10 mm                                |

## Indicators/Signal Outputs

- Minor injury due to electric shock may occasionally occur. Do not touch the terminals while power is being supplied. The voltage may be applied even if the INPUT OK indicator does not light. Be sure to check the input voltage when performing wiring.
- The DC OK indicator will light when the output voltage is more than 90% of the rated output voltage, and the internal MOS FET relay is conducted (turned ON).
- The output voltage may be generated even if the DC OK indicator does not light. Be sure to check the output voltage when connecting to the load device.
- This function monitors the voltage at the power output terminals. To check the voltage accurately, measure the voltage at the load end.
- If the output voltage is set to less than 90% of the rated output voltage, the DC OK indicator may go off and the DC OK signal output may be turned OFF.
- The lout > 100% Indicator may light up, and the lout > 100% Signal Output may turn ON during peak current operation, however, the Power Supply can be used as long as the operating conditions specified in *Peak current* (P.27) are satisfied.
- During a short-circuit, the indicator will operate intermittently due to the overload protection function. When this happens, the lout > 100% indicator will blink in accordance with the intermittent operation, and the lout > 100% signal output will repeatedly turn ON and OFF. The shortest ON time of the lout > 100% signal output during intermittent operation is 5 ms.

## Specifications of the Signal Output Terminals (between DC OK Signal Output Terminal and COM Terminal, and between lout > 100% Signal Output Terminal and COM Terminal)

Since the Signal Output is composed of the MOS FET relay, it does not have any polarity. 30 VDC max., 50 mA max.

Residual voltage when the function is ON: 2 V max.

Leakage current when the function is OFF: 0.1 mA max.

- Note:**
1. Internal current control circuits are not provided internally for output signals. Do not allow the output current to exceed 50 mA.
  2. After completing wiring, confirm that the circuits operate correctly.

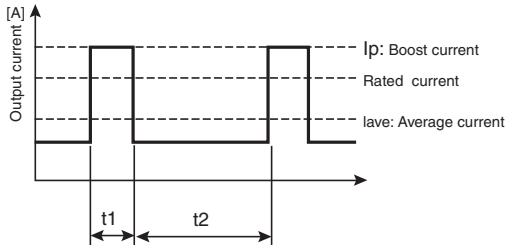
**Peak current**

The boost current is a temporary current that exceeds the rated current.

However, it should meet the following four boost current conditions.

- Time that the boost current flows:  $t1 \leq 10$  s
- The boost current:  $I_p \leq$  Maximum boost current
- The average output current:  $I_{ave} \leq$  Rated output current
- The time ratio of the boost current flow: Duty  $\leq 30\%$

$$\text{Duty} = \frac{t1}{t1 + t2} \times 100 [\%] \leq 30\%$$



- Do not allow the peak current to continue for more than 10 seconds. Do not allow the duty to exceed 30%. The Power Supply may be damaged.
- Ensure that the average current of one cycle of the boost current does not exceed the specified value. The product may be damaged.
- Derate the load at the boost current and average output current according to the ambient operating temperature and mounting.

**Charging a Battery**

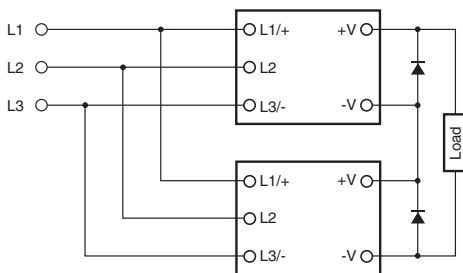
If you connect a battery as the load, install overcurrent control and overvoltage protection circuits.

**Output voltage adjuster (V.ADJ)**

- The output voltage adjuster (V.ADJ.) may possibly become damaged. Do not apply more than the required force.
- After completing output voltage adjustment, be sure that the output power or output current does not exceed the rated output electric power or rated output current.

**Series Operation**

Two Power Supplies can be connected in series.



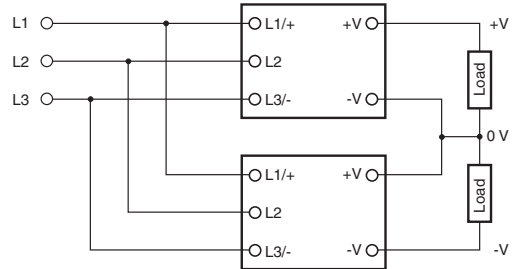
**Note: 1.** If the load is short-circuited, a reverse voltage will be generated inside the Power Supply. If this occurs the product may possibly deteriorate or be damaged. Always connect a diode as shown in the figure. Select diodes with the following ratings.

| Type                              | Schottky Barrier diode                  |
|-----------------------------------|---|
| Dielectric strength ( $V_{RRM}$ ) | Twice the output voltage or above       |
| Forward current ( $I_F$ )         | Twice the rated output current or above |

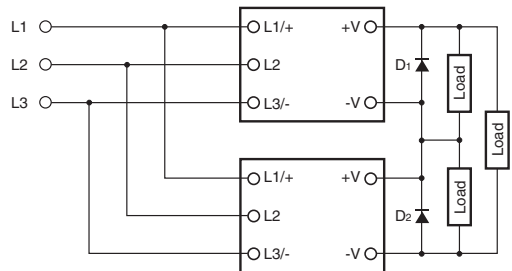
2. Though Power Supplies having different specifications can be connected in series, the current flowing through the load must not exceed the smaller rated output current. Be sure to check that the  $I_{out} > 100\%$  indicator is not lit or the  $I_{out} > 100\%$  signal output is turned OFF before using.

**<Making Positive/Negative Outputs>**

- The outputs are floating outputs (i.e., the primary circuits and secondary circuits are separated). You can therefore make positive and negative outputs by using two Power Supplies. You can make positive/negative outputs with any of the models. If positive and negative outputs are used, connect Power Supplies of the same model as in the following figure. (Combinations with different output capacities or output voltages can be made. However, use the lower of the two maximum rated output currents as the current to the loads.)



- Depending on the model, internal circuits may be damaged due to startup failure when the power is turned ON if loads such as a servomotor or operational amplifier may operate in series. Therefore, connect bypass diodes ( $D_1$ ,  $D_2$ ) as shown in the following figure.



- Use the following information as a guide to the diode type, dialectic strength, and current.

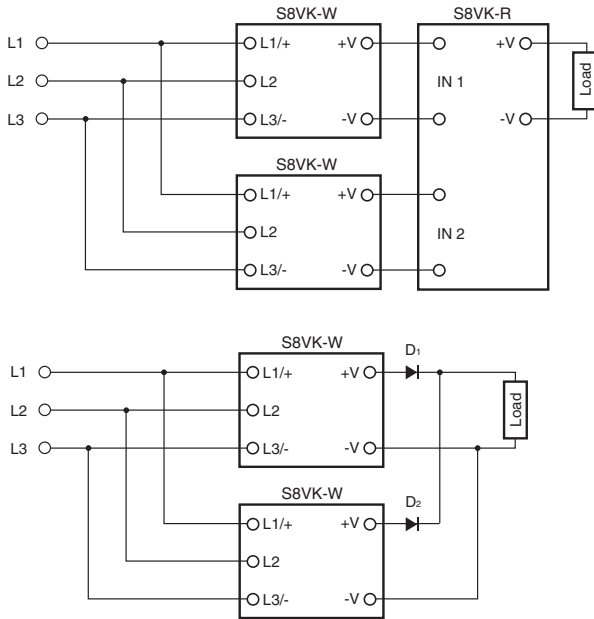
| Type                              | Schottky Barrier diode                  |
|-----------------------------------|---|
| Dielectric strength ( $V_{RRM}$ ) | Twice the output voltage or above       |
| Forward current ( $I_F$ )         | Twice the rated output current or above |

## Parallel Operation

Parallel operation is used when the output current from one Power Supply is insufficient for the load. Power Supplies are connected in parallel to increase the output current. Two Power Supplies with the same capacity can be connected in parallel.

You must meet the following conditions to use parallel operation.

- Standard mounting.
- Ambient temperature: -25 to +40°C
- Horizontal separation: 15 mm or more, Vertical separation: 23 mm or more
- Rated input voltage range  
Output voltage of 25 V max. (S8VK-W□□□□24)  
Output voltage of 49 V max. (S8VK-WB□□□□48)
- Adjust the output voltage difference of each Power Supply to 50 mV or less, using the output voltage adjuster (V. ADJ).
- There is no current balancing function for S8VK-X. A high output voltage unit may work at overcurrent state and in this situation, a life of a Power Supply will be extremely short. After adjusting the output voltage, confirm the output current of the Power Supplies balances.
- For Parallel Operation, to balance the current of the each unit, the length and thickness of each wire connected to the load and each unit must be same as much as possible.
- The output voltage may drop by several volts if the load changes rapidly (e.g., if the load starts or is disconnected). Use the S8VK-R or connect external diodes as shown in the figure.  
For parallel operation with 240 W Power Supplies or S8VK-WB48048, use the S8VK-R20.
- Do not use parallel operation when there is the possibility that the input voltage will vary outside of the rated input range.



- Use the following information as a guide to the diode type, dielectric strength, and current.

| Type                              | Schottky Barrier diode                  |
|-----------------------------------|---|
| Dielectric strength ( $V_{RRM}$ ) | Twice the output voltage or above       |
| Forward current ( $I_F$ )         | Twice the rated output current or above |

- Increase the output voltage setting of the Power Supplies by the drop in the forward voltage ( $V_F$ ) of diodes D1 and D2. Also, the diodes will cause a power loss equivalent to the Power Supply output current ( $I_{OUT}$ ) times the diode forward voltage ( $V_F$ ). Therefore, cooling measures must be implemented so that the temperature of the diodes decreases to the catalog value or lower.
- Because of the load power and power loss due to the diodes, do not exceed the rated power of one Power Supply (rated output voltage × rated output current).

## <Backup Operation>

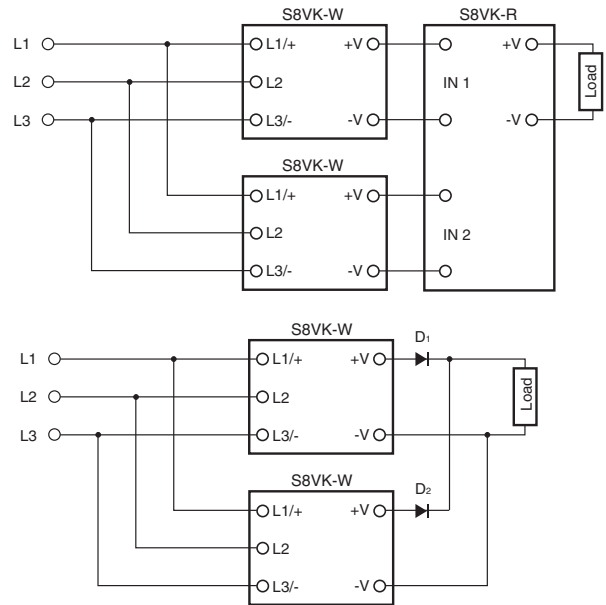
Backup operation is possible if you use two Power Supplies of the same model.

Even if one Power Supply fails, operation can be continued with the other Power Supply.

Make sure that the maximum load does not exceed the capacity of one Power Supply.

Use the S8VK-R or connect external diodes.

For backup operation with 240 W Power Supplies or S8VK-WB48048, use the S8VK-R20.



- Use the following information as a guide to the diode type, dielectric strength, and current.

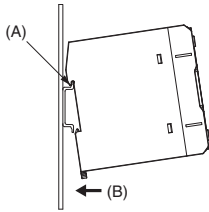
| Type                              | Schottky Barrier diode                  |
|-----------------------------------|---|
| Dielectric strength ( $V_{RRM}$ ) | Twice the output voltage or above       |
| Forward current ( $I_F$ )         | Twice the rated output current or above |

- Increase the output voltage setting of the Power Supplies by the drop in the forward voltage ( $V_F$ ) of diodes D1 and D2. Also, the diodes will cause a power loss equivalent to the Power Supply output current ( $I_{OUT}$ ) times the diode forward voltage ( $V_F$ ). Therefore, cooling measures must be implemented so that the temperature of the diodes decreases to the catalog value or lower.
- Because of the load power and power loss due to the diodes, do not exceed the rated power of one Power Supply (rated output voltage × rated output current).

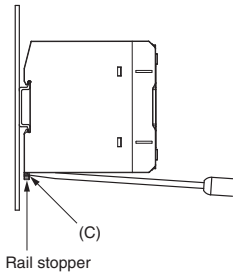
**Precautions for Correct Use**

**DIN rail mounting**

To mounting on a DIN Rail, hook portion (A) of the Block onto the rail and press in the (B) direction.

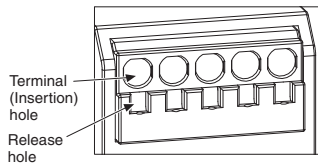


To dismantle the Block, pull down portion (C) with a flat-blade screwdriver and pull out the Block.



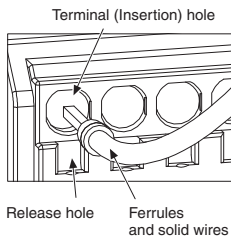
**Connecting Wires to the Push-In Plus Terminal Block**

**Part Names of the Terminal Block**



**Connecting Wires with Ferrules and Solid Wires**

Insert the solid wire or ferrule straight into the terminal block until the end touches the terminal block.

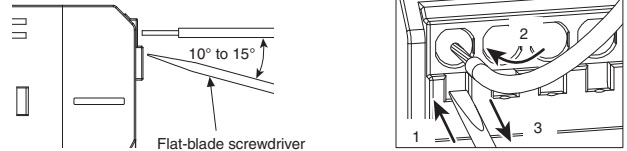


- If a wire is difficult to connect because it is too thin, use a flat-blade screwdriver in the same way as when connecting stranded wire.

**Connecting Stranded Wires**

Use the following procedure to connect the wires to the terminal block.

1. Hold a flat-blade screwdriver at an angle and insert it into the release hole.  
The angle should be between 10° and 15°. If the flat-blade screwdriver is inserted correctly, you will feel the spring in the release hole.
2. With the flat-blade screwdriver still inserted into the release hole, insert the wire into the terminal hole until it strikes the terminal block.
3. Remove the flat-blade screwdriver from the release hole.



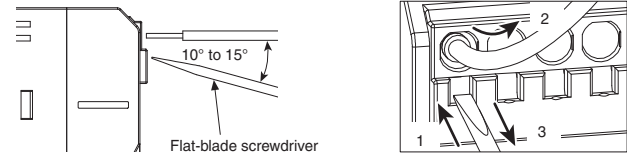
**Checking Connections**

- After the insertion, pull gently on the wire to make sure that it will not come off and the wire is securely fastened to the terminal block
- The insulation distance is still satisfied although some of the conductor may still be visible after being inserted into the terminal block, even though recommended ferrules are used.

**Removing Wires from the Push-In Plus Terminal Block**

Use the following procedure to remove wires from the terminal block. The same method is used to remove stranded wires, solid wires, and ferrules.

1. Hold a flat-blade screwdriver at an angle and insert it into the release hole.
2. With the flat-blade screwdriver still inserted into the release hole, remove the wire from the terminal insertion hole.
3. Remove the flat-blade screwdriver from the release hole.



# S8VK-WA/S8VK-WB

S8VK-WA

## Recommended Ferrules and Crimping Tools

### Recommended Ferrules

S8VK-W□□□□□□: Input Terminals/PE Terminals

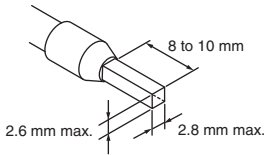
S8VK-W□□240□: DC Output Terminals

S8VK-W□□□□□□:

### Signal Output Terminals/COM Terminals

| Applicable wire        |       | Ferrule Conductor length (mm) | Stripping length (mm) (Ferrules used) | Recommended Ferrules                     |             |                |
|------------------------|-------|-------------------------------|---------------------------------------|--|-------------|----------------|
| (mm <sup>2</sup> )     | (AWG) |                               |                                       | Phoenix Contact                          | Weid muller | Wago           |
| 0.25                   | 24    | 8                             | 10                                    | Al 0, 25-8                               | H0.25/12    | FE-0.25-8N-YE  |
|                        |       | 10                            | 12                                    | Al 0, 25-10                              | ---         | ---            |
| 0.34                   | 22    | 8                             | 10                                    | Al 0,34-8                                | H0.34/12    | FE-0.34-8N-TQ  |
|                        |       | 10                            | 12                                    | Al 0,34-10                               | ---         | ---            |
| 0.50                   | 20    | 8                             | 10                                    | Al 0,5-8                                 | H0.5/14     | FE-0.5-8N-WH   |
|                        |       | 10                            | 12                                    | Al 0,5-10                                | H0.5/16     | FE-0.5-10N-WH  |
| 0.75                   | 18    | 8                             | 10                                    | Al 0,75-8                                | H0.75/14    | FE-0.75-8N-GY  |
|                        |       | 10                            | 12                                    | Al 0,75-10                               | H0.75/16    | FE-0.75-10N-GY |
| 1/1.25                 | 18/17 | 8                             | 10                                    | Al 1-8                                   | H1.0/14     | FE-1.0-8N-RD   |
|                        |       | 10                            | 12                                    | Al 1-10                                  | H1.0/16     | FE-1.0-10N-RD  |
| 1.25/1.5               | 17/16 | 8                             | 10                                    | Al 1,5-8                                 | H1.5/14     | FE-1.5-8N-BK   |
|                        |       | 10                            | 12                                    | Al 1,5-10                                | H1.5/16     | FE-1.5-10N-BK  |
| 2.5                    | 14    | 10                            | 12                                    | Al 2, 5-10                               | H2.5/16DS   | FE-2.5-10N-BU  |
| Recommended crimp tool |       |                               |                                       | CRIMPFOX6<br>CRIMPFOX6T-F<br>CRIMPFOX10S | PZ6 roto    | Variocrimp4    |

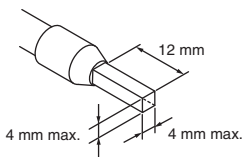
- Note:** 1. Make sure that the outer diameter of the wire is smaller than the inner diameter of the insulating sleeve of the recommended ferrule.  
2. Make sure that the ferrule processing dimensions conform to the following figure.



### S8VK-W□□480□□: DC Output Terminals

| Applicable wire        |       | Ferrule Conductor length (mm) | Stripping length (mm) (Ferrules used) | Recommended Ferrules                     |             |  |
|------------------------|-------|-------------------------------|---------------------------------------|--|-------------|--|
| (mm <sup>2</sup> )     | (AWG) |                               |                                       | Phoenix Contact                          | Weid muller | Wago                                   |
| 4                      | 12    | 12                            | 14                                    | Al 4-12                                  | H4.0/20D    | FE-4.0-12N-GY                          |
| 6                      | 10    | 12                            | 16                                    | Al 6-12                                  | H6.0/20     | FE-6.0-12N-YE *                        |
| Recommended crimp tool |       |                               |                                       | CRIMPFOX6<br>CRIMPFOX6T-F<br>CRIMPFOX10S | PZ6 roto    | Variocrimp4<br>* Use the Variocrimp16. |

- Note:** 1. Make sure that the outer diameter of the wire is smaller than the inner diameter of the insulating sleeve of the recommended ferrule.  
2. Make sure that the ferrule processing dimensions conform to the following figure.



S8VK-WB

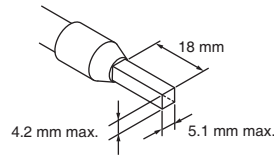
Common Precautions

Common Accessories

### S8VK-W□960□□: DC Output Terminals

| Applicable wire        |       | Ferrule Conductor length (mm) | Stripping length (mm) (Ferrules used) | Recommended Ferrules  |                                    |  |
|------------------------|-------|-------------------------------|---------------------------------------|---|------------------------------------|--|
| (mm <sup>2</sup> )     | (AWG) |                               |                                       | Phoenix Contact   | Weid muller                        | Wago   |
| 10                     | 8     | 18                            | 21                                    | Al 10-18  | H10.0/28                           | FE-10.0-18N-RD   |
| Recommended crimp tool |       |                               |                                       | CRIMPFOX10S<br>(0.14 to 10mm <sup>2</sup> )<br>CRIMPFOX 25R<br>(10 to 25mm <sup>2</sup> ) | PZ 16<br>(6 to 16mm <sup>2</sup> ) | Variocrimp16<br>(6 to 16mm <sup>2</sup> )<br>205-225<br>(10 to 25mm <sup>2</sup> ) |

- Note:** 1. Make sure that the outer diameter of the wire is smaller than the inner diameter of the insulating sleeve of the recommended ferrule.  
2. Make sure that the ferrule processing dimensions conform to the following figure.

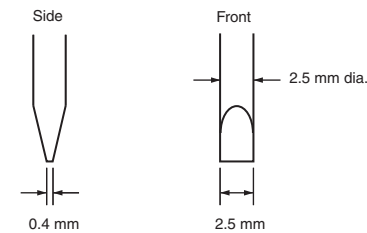


### Recommended Flat-blade Screwdriver

Use a flat-blade screwdriver to connect and remove wires. Use the following flat-blade screwdrivers. The following table shows manufacturers and models as of 2018/Dec. S8VK-W□□□□□□: Input terminals/Protective Earth terminal  
S8VK-W□□240□□ : DC Output Terminals  
S8VK-W□□480□□ : DC Output Terminals  
S8VK-W□□□□□□: Signal Output terminal/COM Terminal

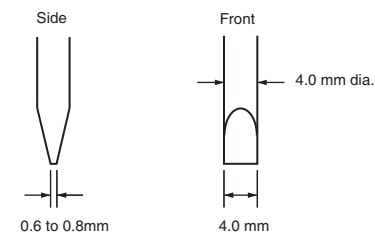
| Model                          | Manufacturer    |
|--------------------------------|-----------------|
| ESD 0,40x2,5                   | Wera            |
| SZS 0,4x2,5<br>SZF 0-0,4x2,5 * | Phoenix Contact |
| 0.4x2.5x75 302                 | Wiha            |
| AEF.2,5x75                     | Facom           |
| 210/-719                       | Wago            |
| SDIS 0.4x2.5x75                | Weidmuller      |
| 9900(-2.5x75)                  | Vessel          |

\* OMRON's exclusive purchase XW4Z-00B is available to order as SZF 0-0,4x2,5 (manufactured by Phoenix Contact).



### S8VK-W□960□□ : DC Output Terminals

| Model         | Manufacturer    |
|---------------|-----------------|
| ESD 0,80x4,0  | Wera            |
| SZF 2-0,8x4,0 | Phoenix Contact |
| 302S4010      | Wiha            |
| AEF.4x75      | Facom           |
| SDS 0.8x4x100 | Weidmuller      |
| 1-65-017      | STANLEY         |
| 990 4x100     | Vessel          |



**Audible Noise at Power ON**

A harmonic current suppression circuit is built into the Power Supply. This circuit can create noise when the input is turned ON, but it will last only until the internal circuits stabilize and does not indicate any problem in the Product.

**In Case There Is No Output Voltage**

The possible cause for no output voltage may be that the overload protection or overvoltage protection has operated. The internal protection may operate if a large amount of surge voltage, such as a lightning inrush, is applied to the input.

In case there is no output voltage, please check the following points before contacting us:

**Checking overload protected status:**

Check whether the load is in overload status or is short-circuited. Remove the load wires when checking. Can be checked depending on whether or not the lout > 100% indicator is lit, or from the operating status of the lout > 100% signal output.

**Checking overvoltage or internal protection:**

Switch off the input power supply, and switch back on after at least 3 minutes have elapsed.

**Disposal**

When disposing of the product, treat it as industrial waste.

## Warranty and Limitations of Liability

### WARRANTY

The Power Supply warranty is valid for a period of five years from the date of shipment from the factory.

### LIMITATIONS OF LIABILITY

The warranty is valid only for the following operating conditions.

1. Average ambient operating temperature of the Power Supply: 40°C max.
2. Average load rate of 80% max.
3. Mounting method: Standard mounting

Note: The maximum ratings must be within the derating curve.

If the Power Supply fails for reasons attributable to OMRON within the above warranty period, OMRON will repair or replace the faulty part of the Power Supply at the place of purchase or the place where the Power Supply delivered without charge.

This warranty does not cover the following types of failures.

1. Failures that result from handling or operation of the product under conditions or in environments that are not given in this document and not given in any other specifications exchanged between OMRON and the customer.
  2. Failures that originate in causes other than the delivered product itself
  3. Failures caused by disassembly, modification, or repair of the Power Supply by anyone other than OMRON
  4. Failures caused by applications or uses for which the product was not originally intended.
  5. Failures caused by factors that could not be anticipated with the scientific or technical knowledge available when the Power Supply was shipped.
  6. Failures caused by other causes for which OMRON is not responsible, such as natural disasters and other acts of God.
- This warranty is limited to the individual Power Supply that was delivered and does not cover any secondary, subsequent, or related damages.

## Recommended Replacement Periods and Periodic Replacement for Preventive Maintenance

The recommended replacement period for preventive maintenance is greatly influenced by the installation environment of the Power Supply. As a guideline, the recommended replacement period is 7 to 10 years.\*

To prevent failures or accidents that can be caused by using a Power Supply beyond its service life, we recommend that you replace the Power Supply as early as possible within the recommended replacement period. However, bear in mind that the recommended replacement period is for reference only and does not guarantee the life of the Power Supply.

Many electronic components are used in the Power Supply and the Power Supply depends on the correct operation of these components to achieve the original Power Supply functions and performance. However, the influence of the ambient temperature on aluminum electrolytic capacitors is large, and the service life is reduced by half for each 10°C rise in temperature (Arrhenius law). When the capacity reduction life of the electrolytic capacitor is reached, the Power Supply failures or accidents may occur. We therefore recommend that you replace the Power Supply periodically to minimize product failures or accidents in advance.

\*The recommended replacement period applies under the following conditions: rated input voltage, load rate of 50% max., ambient temperature of 40°C max., and the standard mounting method.

This product model is designed with a service life of 10 years minimum under the above conditions.



**OMRON AUTOMATION AMERICAS HEADQUARTERS** • Chicago, IL USA • 847.843.7900 • 800.556.6766 • automation.omron.com

**OMRON CANADA, INC. • HEAD OFFICE**

Toronto, ON, Canada • 416.286.6465 • 866.986.6766 • automation.omron.com

**OMRON ELECTRONICS DE MEXICO • HEAD OFFICE**

Ciudad de México • 52.55.5901.4300 • 01.800.386.6766 • mela@omron.com

**OMRON ELECTRONICS DE MEXICO • SALES OFFICE**

San Pedro Garza García, N.L. • 81.12.53.7392 • 01.800.386.6766 • mela@omron.com

**OMRON ELECTRONICS DE MEXICO • SALES OFFICE**

Eugenio Garza Sada, León, Gto • 01.800.386.6766 • mela@omron.com

**OMRON ELETRÔNICA DO BRASIL LTDA • HEAD OFFICE**

São Paulo, SP, Brasil • 55 11 5171-8920 • automation.omron.com

**OMRON ARGENTINA • SALES OFFICE**

Buenos Aires, Argentina • +54.11.4521.8630 • +54.11.4523.8483  
mela@omron.com

**OTHER OMRON LATIN AMERICA SALES**

+54.11.4521.8630 • +54.11.4523.8483 • mela@omron.com

*Authorized Distributor:*

**Controllers & I/O**

- Machine Automation Controllers (MAC) • Motion Controllers
- Programmable Logic Controllers (PLC) • Temperature Controllers • Remote I/O

**Robotics**

- Industrial Robots • Mobile Robots

**Operator Interfaces**

- Human Machine Interface (HMI)

**Motion & Drives**

- Machine Automation Controllers (MAC) • Motion Controllers • Servo Systems
- Frequency Inverters

**Vision, Measurement & Identification**

- Vision Sensors & Systems • Measurement Sensors • Auto Identification Systems

**Sensing**

- Photoelectric Sensors • Fiber-Optic Sensors • Proximity Sensors
- Rotary Encoders • Ultrasonic Sensors

**Safety**

- Safety Light Curtains • Safety Laser Scanners • Programmable Safety Systems
- Safety Mats and Edges • Safety Door Switches • Emergency Stop Devices
- Safety Switches & Operator Controls • Safety Monitoring/Force-guided Relays

**Control Components**

- Power Supplies • Timers • Counters • Programmable Relays
- Digital Panel Meters • Monitoring Products

**Switches & Relays**

- Limit Switches • Pushbutton Switches • Electromechanical Relays
- Solid State Relays

**Software**

- Programming & Configuration • Runtime