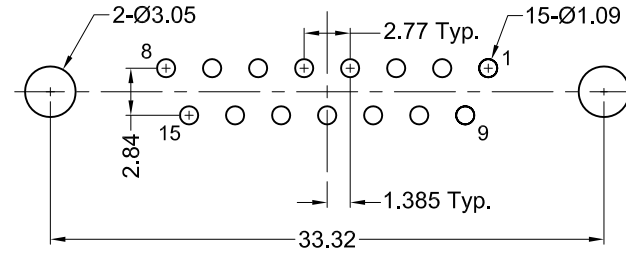
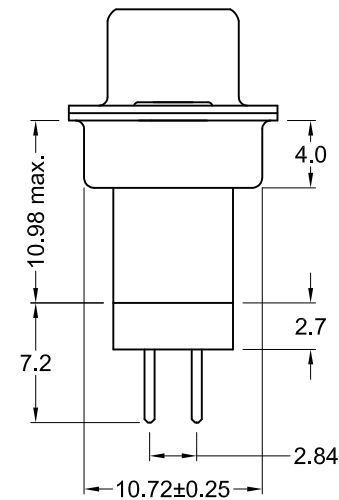
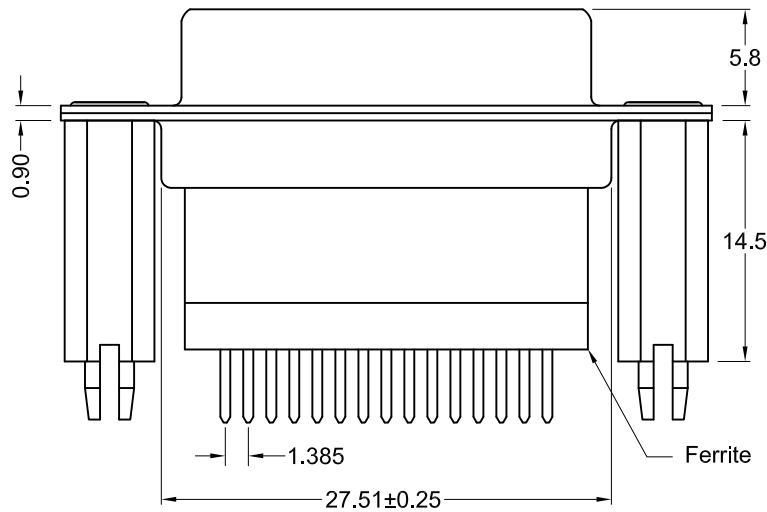


Recommended PCB Layout
(top view)



boardlocks not shown
in this view



Material And Finish

Shell: Steel, Nickel Plated
 Insulator: PBT with Glass-Fiber Reinforcement
 UL 94V-0 Rated
 Color-Black
 Contact Material:
 Socket - Brass
 Contact Plating Options:
 Standard Option:
 Gold Flash over Nickel
 on Entire Contact

Electrical Specifications

Rated Current: 2A
 Rated Voltage: 30V RMS
 Dielectric Withstanding Voltage:
 1000V (rms) AC for 1 minute
 Insulation Resistance:
 more than 1000 Megohm
 at 500V DC
 Contact Resistance:
 13 milliohm max.
 Temperature Rating:
 -55°C to +105°C

Ferrite Specifications

Test Frequency	Edge Hole	Inner Hole
30 Mhz	17-27 Ohms	22-30 Ohms
50 Mhz	22-30 Ohms	29-37 Ohms
100 Mhz	29-34 Ohms	35-40 Ohms

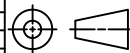


Tolerances
X.X ± 0.25
X.XX ± 0.15
Unless Stated Otherwise

REV.	DATE	DESCRIPTION	REV. BY	CHK. BY	DRAWN BY	DATE
A1	05/24/07	New Drawing	A. Frederick	H. MA	A. Frederick	05/24/07
A2	1/21/08	ECO# 07-052	WILL H.	H. MA		
A3	02/22/10	ECO# 10-010	S. Vien	H. MA		
A4	12/31/17	ECO #17-035	J. Elbanna	C. Furumasu		

KF88X-AC-15S-BR

Vertical D15 female, Hi-Prof, Mach Pins
 Ferrite w/ Boardlock, RoHS Compliant



UNITS
mm