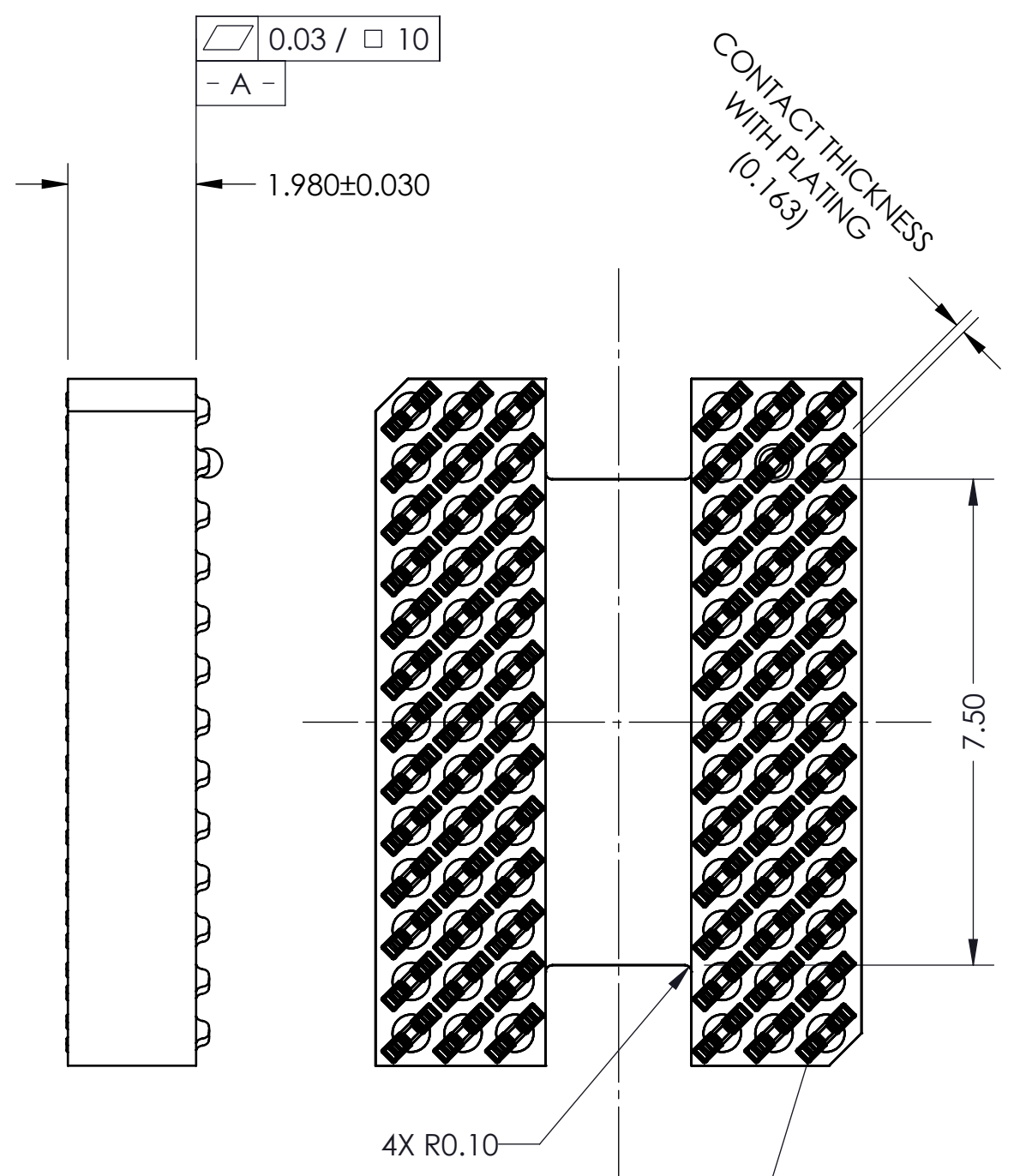
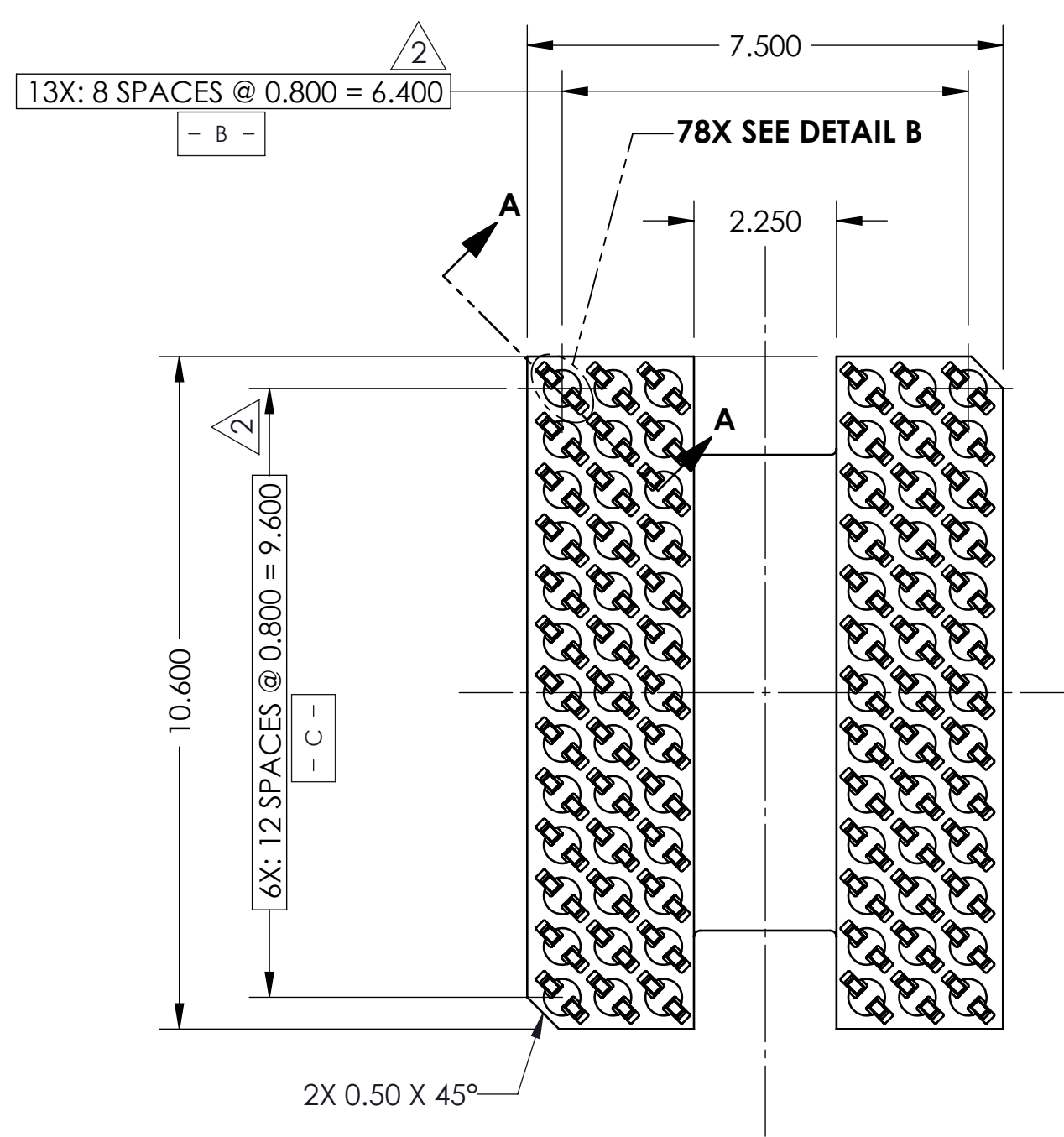
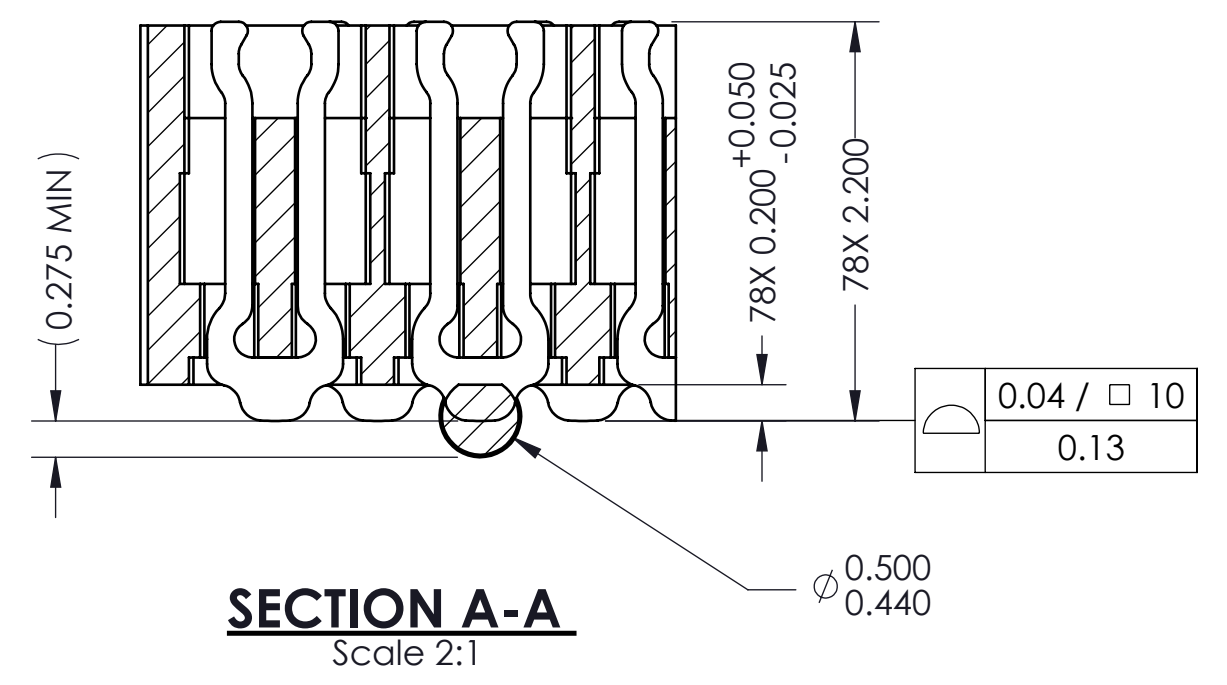
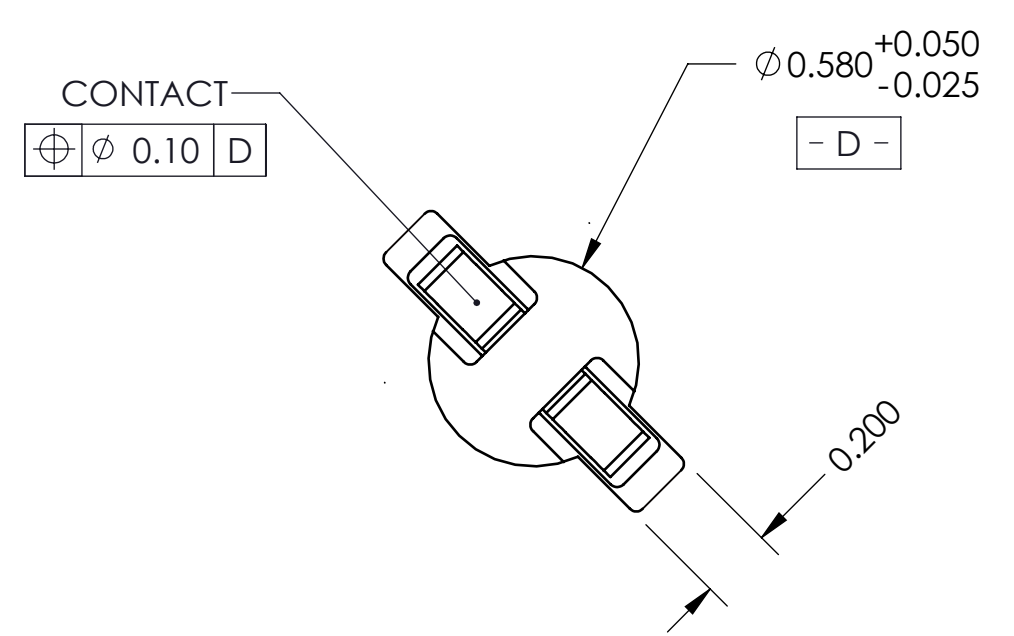
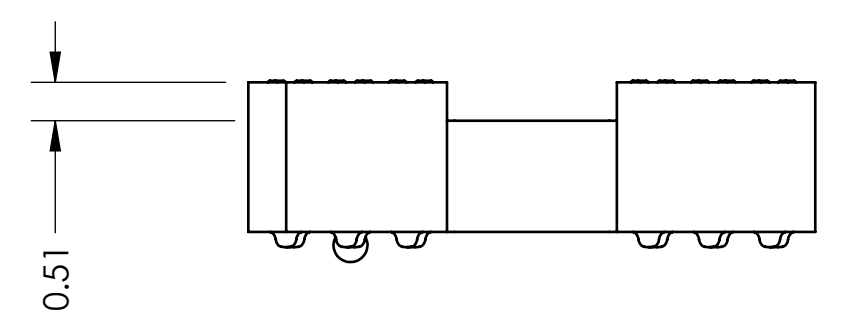


REV	ECO	BY	DESCRIPTION	APV	DATE
A	31669	RS	Initial Design	NSJ	07/21/15



- Notes:
- Footprint part number is 104311-0233
  - Locates center of contact slots.
  - Press size: 7.5 x 10.6
  - Datum B and C determined by  $\phi 0.580$  opening in corner slots.
  - Unless otherwise noted, all features located  $\oplus 0.10$  A B C



PARTS LIST	
Part Number	Description
108493-0009	SCKT, 78GRY7.5X10.6-0.80, SAC305
105528-0073	CS, 90GRY9X13-0.80
103864-0119	PRESS, DEV INS, 7.5X10.6 (SOLD SEP.)
107030-0038	STEN,FLEX, 78GRY7.5X10.6-0.80 (SOLD SEP.)

UNLESS OTHERWISE SPECIFIED - DIMENSIONS ARE IN MILLIMETERS - DIMS APPLY AFTER PLATING - TOLERANCES UNLESS OTHERWISE NOTED:

ANGLES ±1°      DECIMALS  
X.X ±0.25  
X.XX ±0.10  
X.XXX ±0.050

THE INFORMATION CONTAINED IN THIS DRAWING IS THE SOLE PROPERTY OF HSIQ TECHNOLOGIES, LLC. ANY REPRODUCTION IN PART OR WHOLE WITHOUT THE WRITTEN PERMISSION OF HSIQ, TECHNOLOGIES, LLC, IS PROHIBITED.

CAD GENERATED DRAWING  
DO NOT MANUALLY UPDATE

HSIQ TECHNOLOGIES, LLC.  
13300 67th AVENUE NORTH  
MAPLE GROVE, MINNESOTA 55311  
763-447-6260

**SCKT, 78GRY7.5X10.6-0.80, DS**

DRAWING APPROVALS		TITLE	
NAME	DATE		
E.Turin	06/08/10		
M. Peery	06/10/10		

SIZE	CAD FORMAT	DRAWING NO.	REV.
C	SOLIDWORKS	108493-0009	A

THIRD ANGLE PROJECTION

SCALE	MATERIAL	SHEET
	SEE BOM	1 of 2

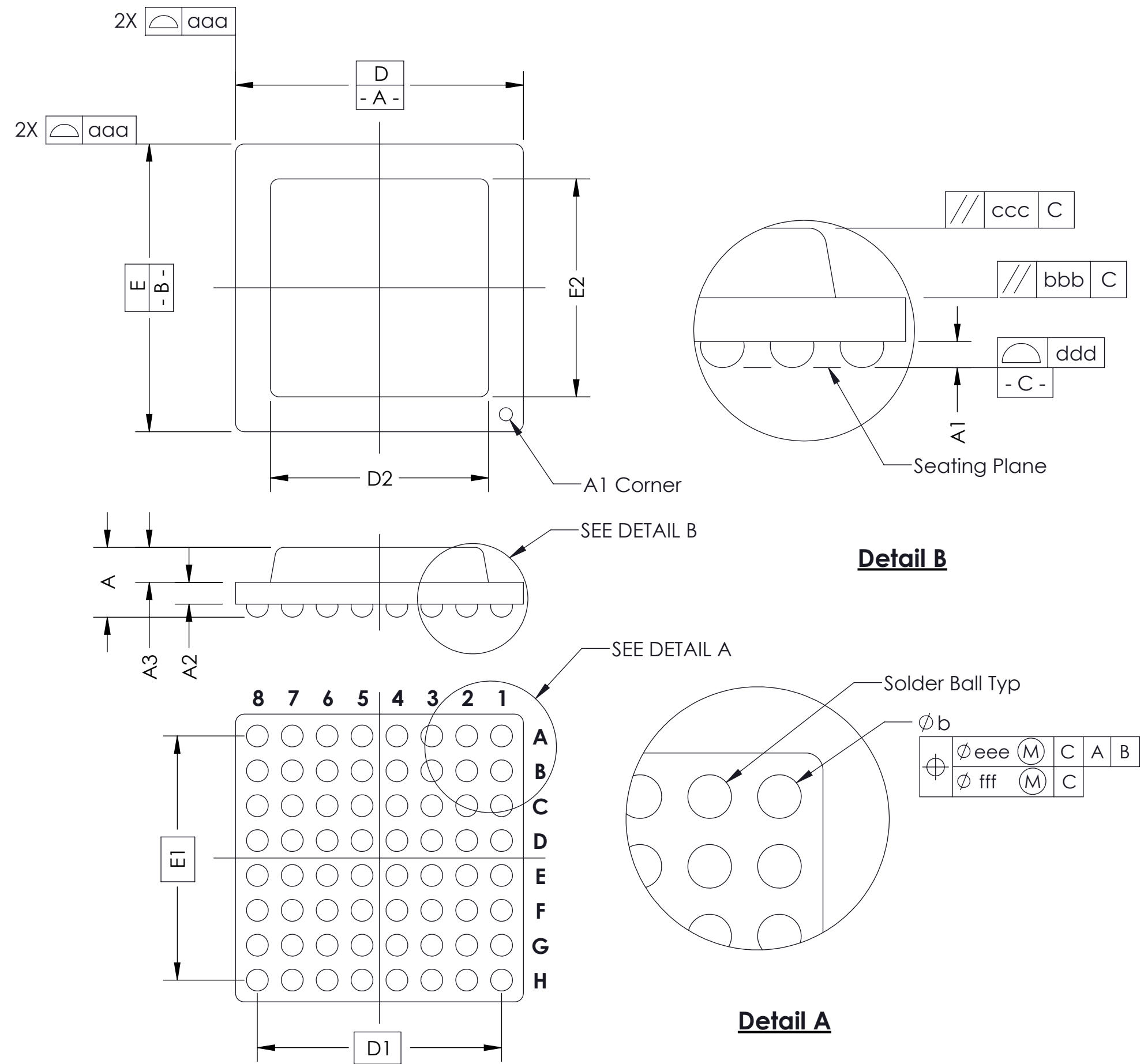
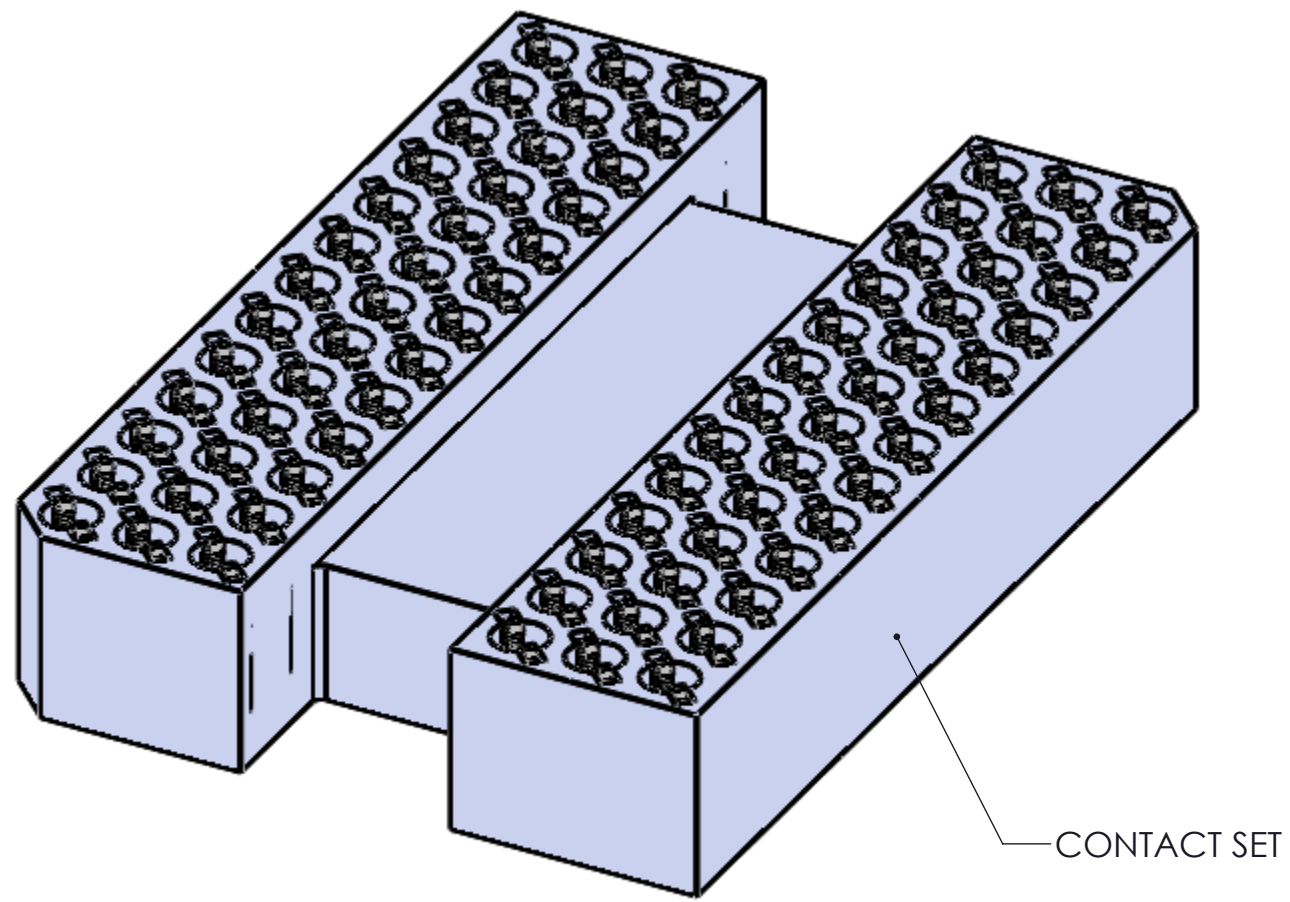
LEGEND:  
⊕ NOTE CALLOUT  
ⓐ REVISION CHANGE  
Ⓧ ITEM NUMBER

**DETAIL B 78X**  
SCALE 4:1

**SECTION A-A**  
Scale 2:1

SOCKET FOR DEVICES THAT ARE WITHIN THESE SPECIFICATIONS					
Lead Count	<b>N</b>	78	Package Size	<b>D</b>	7.50
Columns	<b>ND</b>	6	Ball Spacing	<b>E1</b>	9.60
Rows	<b>NE</b>	13	Encapsulant/Top Size	<b>D1</b>	6.40
Pitch	<b>e</b>	0.80	Encapsulant/Top Size	<b>E2</b>	n/a
Ball Size	<b>b</b>	0.45±0.05	Pattern Style		Irregular*
Total Thickness	<b>A</b>	N/A	Perimeter Rows		n/a
Ball Height	<b>A1</b>	0.275 Min	Center Array		n/a
Substrate Thickness	<b>A2</b>	N/A			
Top Thickness	<b>A3</b>	N/A			
Form Tolerances					
Edge	<b>aaa</b>	0.20	Bottom	<b>ddd</b>	0.15
Substrate	<b>bbb</b>	0.20	Position	<b>eee</b>	0.20
Top	<b>ccc</b>	0.20	Position	<b>fff</b>	0.08

All dimensions are in millimeters.  
\*See footprint specification for pattern details.



**Generic Representation with Full Grid Array**

THE INFORMATION CONTAINED IN THIS DRAWING IS THE SOLE PROPERTY OF HSIO TECHNOLOGIES, LLC. ANY REPRODUCTION IN PART OR WHOLE WITHOUT THE WRITTEN PERMISSION OF HSIO TECHNOLOGIES, LLC. IS PROHIBITED.			
UNLESS OTHERWISE SPECIFIED - DIMENSIONS ARE IN MILLIMETERS - DIMS APPLY AFTER PLATING TOLERANCES UNLESS OTHERWISE NOTED: DECIMALS ANGLES X.X ±0.25 ±1° X.XX ±0.10 X.XXX ±.050		HSIO TECHNOLOGIES, LLC. 13300 67th AVENUE NORTH MAPLE GROVE, MINNESOTA 55311 763-447-6260	
TITLE <b>SCKT, 78GRY7.5X10.6-0.80, DS</b>			
SIZE C	CAD FORMAT SOLIDWORKS	DRAWING NO. <b>108493-0009</b>	REV. <b>A</b>
SCALE	MATERIAL	SHEET See Page 1 2 of 2	