



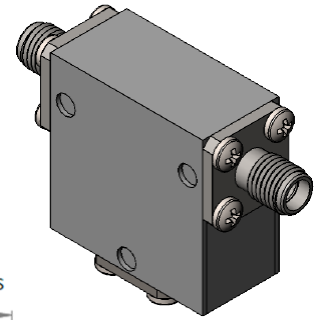
Part Number: D3I0118

Electrical Specifications

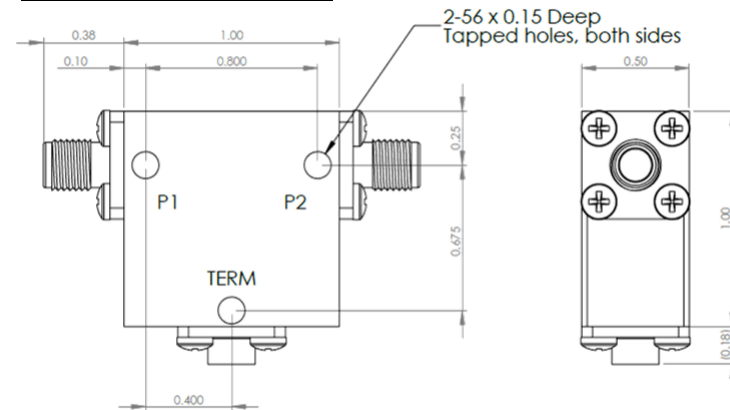
| | |
|------------------------|-------------------|
| Frequency Range (GHz): | 1.6 – 1.8 |
| Isolation (dB): | 20 MIN |
| Insertion Loss (dB): | 0.4 MAX |
| VSWR: | 1.25:1 MIN |
| Forward Power (W): | 150 AVG 350 PK |
| Reflective Power (W): | 2 AVG |

Mechanical/Environmental Specifications

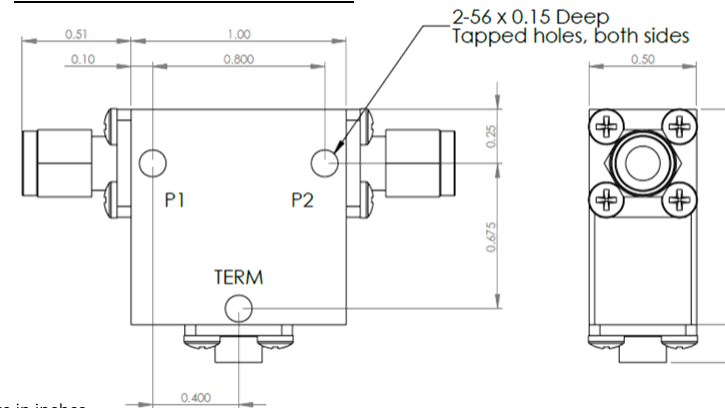
| | |
|-------------------|----------------------------|
| Connector Type: | SMA |
| Connector Body: | Passivated stainless steel |
| Connector Pin: | Gold plated copper |
| Load Body: | Brass |
| Magnetic Shunt: | Nickel plated CRS |
| Operational Temp: | -20°C to +65°C |
| Weight (oz) | 2.0 MAX |



D3I0118 Dimensions



D3I0118-3 Dimensions



Dimensions are in inches
Tolerance

XX ±0.03
XXX ±0.010

| Type of Device | PN Suffix | Connector Configuration Input / Output | PN Example |
|---|-----------|---|------------|
| Single and Dual Junction Isolator, 2-Port Device Input / Output | N/A | Female / Female | D3I0118 |
| | -1 | Male / Female | D3I0118-1 |
| | -2 | Female / Male | D3I0118-2 |
| | -3 | Male / Male | D3I0118-3 |



MEASURED DATA

Part Number: D3I0118, +25°C

