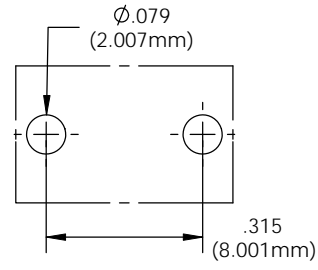
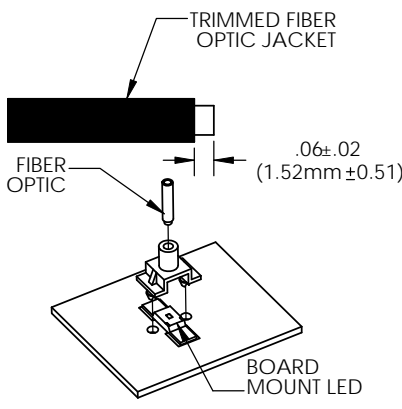
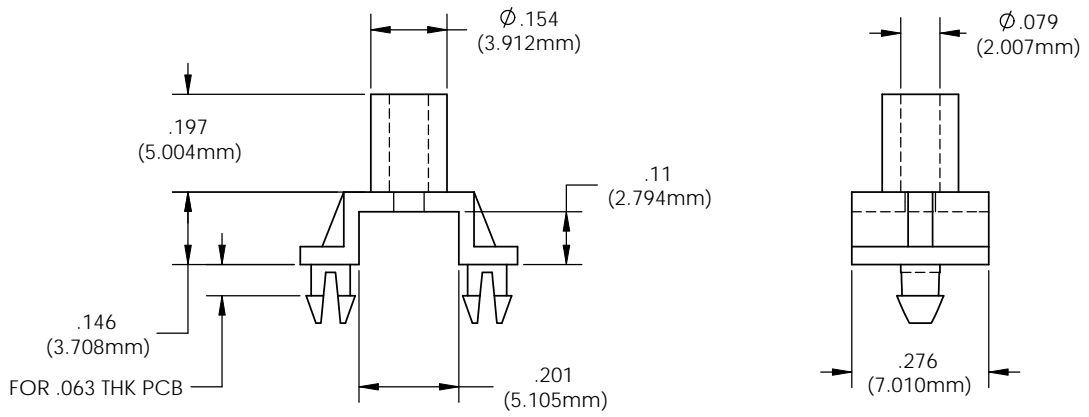


8 7 6 5 4 3 2 1

- NOTES
1. ROHS COMPLIANT
 2. -40°C TO 85°C OPERATING TEMPERATURE
 3. SUITABLE FOR LIGHT PIPE WITH Ø2.2MM JACKET AND OPTICAL CORE NO GREATER THAN Ø1.5MM.
 4. DO NOT INSTALL PRIOR TO SOLDERING
 5. FOR BEST RESULTS USE ONLY NARROW VIEWING ANGLE NON-DIFFUSED LEDS WITH OUTPUT POWER GREATER THAN 100mcd

REVISIONS				
ECN #	REV	DESCRIPTION	DATE	INITIALS
177	001	INITIAL RELEASE	8/3/10	KH
200	002	REVISED PER ECR 100610KH010	10/6/10	KH



RECOMMENDED PWB DEVICE LAYOUT

LIGHT PIPE PREPARATION/INSTALLATION

<small>UNLESS OTHERWISE SPECIFIED DIMENSIONS ARE IN INCHES</small> ANGLES DECIMALS $\pm 1/2^\circ$.X $\pm .020$ FINISH .XXX $\pm .010$.XXX $\pm .005$ 1/2" BREAK ALL CORNERS AND SHARP EDGES (R1/16") THIRD ANGLE PROJECTION <small>THE INFORMATION CONTAINED IN THIS DRAWING IS THE SOLE PROPERTY OF VISUAL COMMUNICATIONS COMPANY, INC. AND IS LOANED TO YOU AS A SERVICE. IT IS TO BE USED ONLY FOR THE PURPOSES SPECIFIED. REPRODUCTION OR DISTRIBUTION WITHOUT THE WRITTEN CONSENT OF VISUAL COMMUNICATIONS COMPANY, INC. IS PROHIBITED.</small>	MATERIAL NYLON 6/6, BLACK UL 94-V2		VISUAL COMMUNICATIONS COMPANY, INC. 190 Bosstick Boulevard, Suite 101 San Marcos, CA 92069 USA Phone (760) 560-1300 Fax (760) 560-1301 email vccsales@vccite.com	
	FINISH SEE NOTES		TITLE: SURFACE MOUNT LED MOUNT	
	APPROVAL DRAWN KH 8/3/10 CHECKED DPZ 8/10/10		DATE 8/3/10	
	DO NOT SCALE DRAWING		SIZE B	DWG. NO. SMD 22
			SCALE: 4:1	SHEET 1 OF 1

8 7 6 5 4 3 2 1