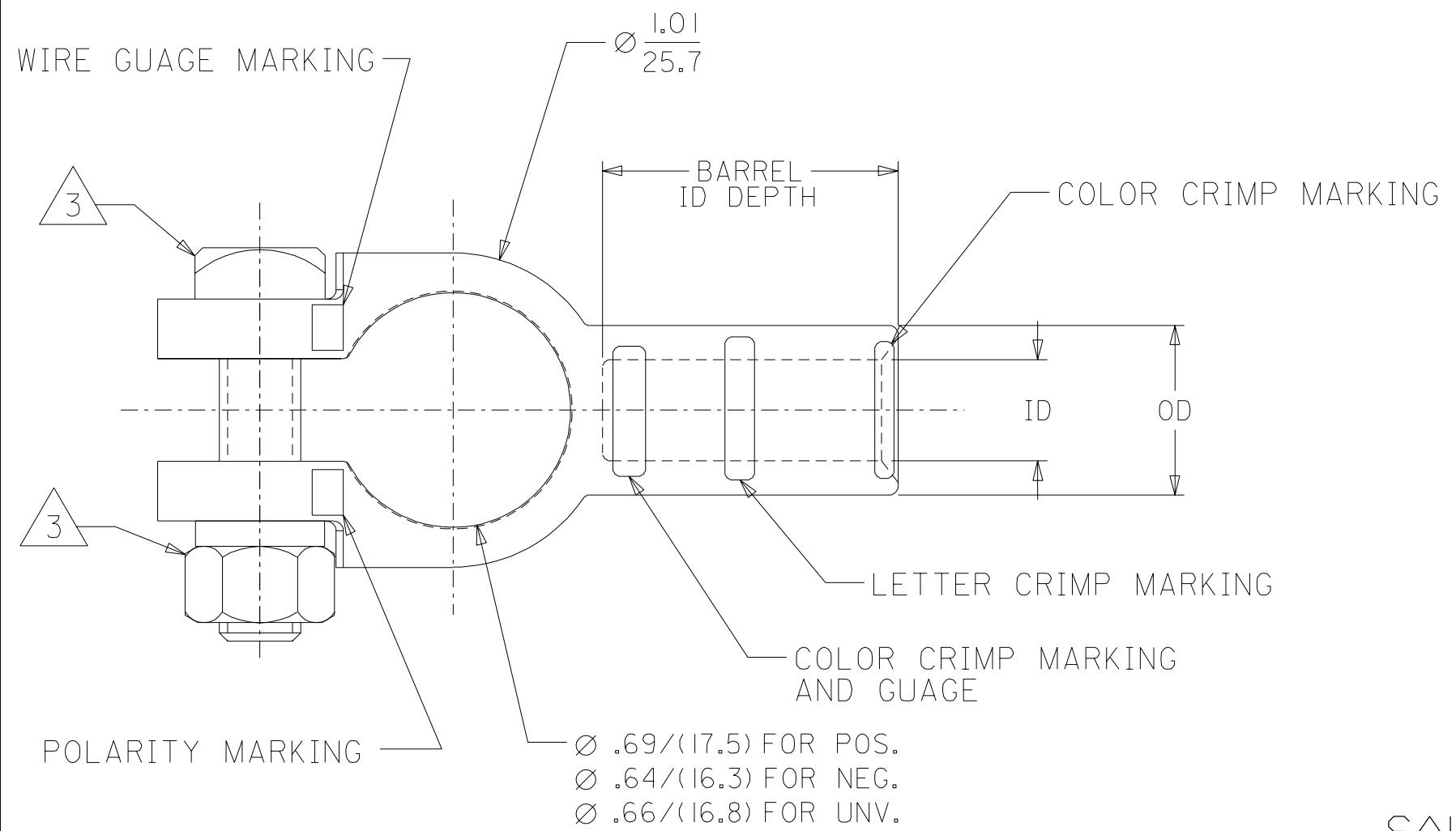
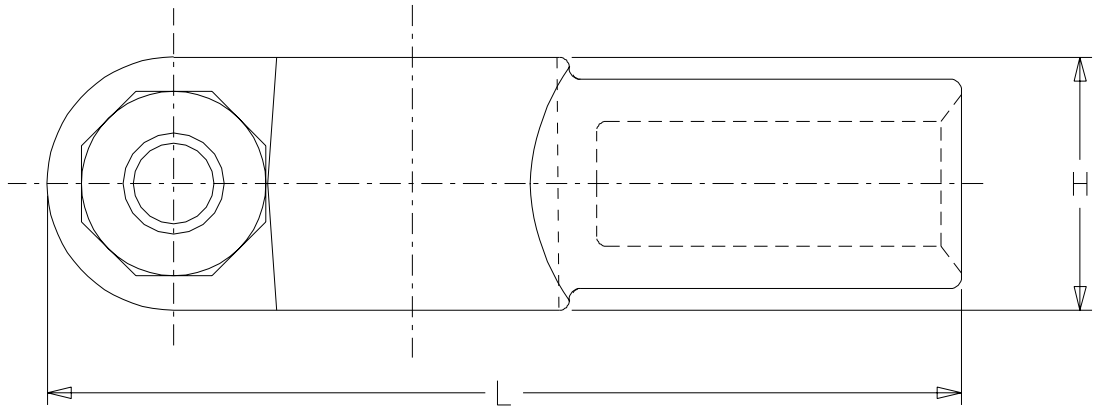


| MATERIAL NUMBER | | | WIRE GAUGE MARKING | COLOR CRIMP MARKING | BARREL ID | BARREL OD | BARREL ID DEPTH | L +.060, -.010 (+1.52, -0.25) | H |
|-----------------|-----------|-----------|--------------------|---------------------|------------|------------|-----------------|-------------------------------------|------------|
| NEGATIVE | POSITIVE | UNIVERSAL | | | | | | | |
| 192180021 | 192180022 | 192180023 | 8 | GREY | .16/(4.1) | .45/(11.4) | Ⓣ.94/(23.9) | Ⓣ2.36/(60.0) | .53/(13.5) |
| 192180018 | 192180019 | 192180020 | 6 | GREY | .22/(5.6) | .45/(11.4) | .97/(24.6) | 2.38/(60.5) | .53/(13.5) |
| 192180015 | 192180016 | 192180017 | 4 | GREY | .26/(6.6) | .45/(11.4) | .97/(24.6) | 2.38/(60.5) | .53/(13.5) |
| 192180012 | 192180013 | 192180014 | 2 | GREEN | .34/(8.6) | .55/(14.0) | .94/(23.9) | Ⓣ2.42/(61.5) | .65/(16.5) |
| 192180009 | 192180010 | 192180011 | 1 | PINK | .39/(9.9) | .55/(14.0) | .94/(23.9) | Ⓣ2.42/(61.5) | .65/(16.5) |
| 192180024 | 192180025 | - | 1/0 | BLACK | .47/(11.9) | .65/(16.5) | .94/(23.9) | Ⓣ2.42/(61.5) | .65/(16.5) |
| 192180026 | 192180027 | - | 2/0 | ORANGE | .50/(12.7) | .65/(16.5) | .94/(23.9) | Ⓣ2.42/(61.5) | .65/(16.5) |
| 192180028 | 192180029 | - | 3/0 | PURPLE | .53/(13.5) | .65/(16.5) | .94/(23.9) | Ⓣ2.42/(61.5) | .65/(16.5) |
| 192180030 | 192180031 | - | 4/0 | YELLOW | .60/(15.2) | .83/(21.1) | .94/(23.9) | Ⓣ2.35/(59.7) | .71/(18.0) |
| 192180032 | 192180092 | - | 6/0 | YELLOW | .67/(17.0) | .83/(21.1) | Ⓣ.94/(23.9) | Ⓣ2.35/(59.7) | .71/(18.0) |



- NOTES:
1. MATERIAL: DIE CAST COPPER
 2. FINISH: TIN PLATED
 3. INCLUDES 5/16 BOLT AND SHOULDER NUT. BOLT AND NUT ARE REVERSABLE

SALES DRAWING



| | | | | |
|----------------|--|--------------------|-------------------|--------------------|
| REVISED DESIGN | EC NO. ETC2003-0284 | DRWN: BRE 02/05/20 | CHK: HEB 02/05/20 | APPR: RWD 02/05/20 |
| DESCRIPTION | MAJOR $\nabla = 0$ CRITICAL $\triangle = 0$ | | | |
| REV | D | | | |

| | | |
|--|--|-------|
| QUALITY SYMBOLS | GENERAL TOLERANCES: (UNLESS SPECIFIED) | |
| | mm | INCH |
| 4 PLACES | ±0. | ±. |
| 3 PLACES | ±0. | ±.015 |
| 2 PLACES | ±0.38 | ±.03 |
| 1 PLACE | ±0.76 | ±. |
| ANGULAR: ±1/2° | | |
| DRAFT WHERE APPLICABLE MUST REMAIN WITHIN DIMENSIONS | | |

| | |
|---------------------------------|---|
| SCALE 4:1 | DESIGN UNITS <input type="checkbox"/> mm <input checked="" type="checkbox"/> INCH |
| DRAWN BY & DATE DAY 99/03/10 | |
| CHECKED BY & DATE RWD 99/03/10 | |
| APPROVED BY & DATE RWD 99/03/10 | |
| CAD FILENAME SD-19218-003 .DGN | |

| | | | |
|--|--------------------------|--------------------|--------|
| DIMENSIONS: <input type="checkbox"/> mm <input checked="" type="checkbox"/> INCH <input type="checkbox"/> mm ONLY | | SHT | REV |
| THIRD ANGLE PROJECTION | | REVISE ON CAD ONLY | |
| TITLE: DIE CAST COPPER BATTERY TERMINAL TOP POST | | | |
| MOLEX INCORPORATED | | | |
| MATERIAL NO. SEE CHART | DRAWING NO. SD-19218-003 | SHEET NO. 1 OF 1 | |
| THIS DRAWING CONTAINS INFORMATION THAT IS PROPRIETARY TO MOLEX INCORPORATED AND SHOULD NOT BE USED WITHOUT WRITTEN PERMISSION. | | | SIZE B |