

Features

- Tinned terminals
- Up to 36 W permanent power
- High pulse power rating
- Maximum fastening torque: 10 Nm
- Customized versions available
- AEC-Q200 and RoHS* compliant

Applications

- Current sensing for hybrid & electric vehicles - Battery management systems
- Current sensing in bus bars
- Current sensing in welding equipment
- Frequency converters

Model CSM2F-6918 Series Current Sense Resistor w/Tinned Terminals

Electrical Characteristics

Characteristic	Model CSM2F-6918 Series
Resistance Range / Power Rating @ 70 °C**	50 $\mu\Omega$ / 36 W 100 $\mu\Omega$ / 36 W
Operating Temperature Range	-40 °C to +170 °C
TCR on Test Points	± 150 ppm/°C
TCR Resistance Alloy***	< 50 ppm/°C
Thermal EMF ($\mu\text{V/K}$)	< 0.25 for 50 $\mu\Omega$
Resistance Tolerance	± 5 %

** Terminal temperature

*** For full TCR range, refer to TCR curve.

Additional Information

Click these links for more information:



[PRODUCT](#) [TECHNICAL LIBRARY](#) [INVENTORY](#) [SAMPLES](#) [CONTACT](#)

Environmental Characteristics

Characteristic	Test Condition	$\Delta\text{TR Max.}$
Thermal Shock	-55 to +150 °C / 1000 cycles	± 1.0 %
Resistance to Soldering Heat	+260 °C / 10 seconds	± 0.5 %
High Temperature Exposure	+170 °C / 1000 hours	± 1.5 %
Low Temperature Storage	-65 °C / 24 hours	± 0.5 %
Biased Humidity Test	+85 °C, 85 % RH, 10 % bias, 1000 hours	± 0.5 %
Mechanical Shock	100 g, 6 milliseconds, 5 pulses	± 0.5 %
Vibration, High Frequency	10-2000 Hz in 1 minute, 3 directions, 12 hours	± 0.5 %
Load Life	1000 hours at max. load, derated at 70 °C	± 1.0 %
Solderability	J-STD-002	95 % coverage min.

How to Order

CSM 2F - 6918 - L050 J 0 1

Model _____

No. of Terminals & Style _____

Size (Metric) _____

Resistance Code (Milliohms) _____
 "L" Represents Decimal Point
 L050 = 50 MicroOhms
 L100 = 100 MicroOhms

Resistance Tolerance _____
 J = ± 5 %

Packaging _____
 0 = Bulk Pack (50 pcs. per bag)
 T = Tray Pack (52 pcs. per tray)

Surface Finishing _____
 1 = Tinned Terminals



WARNING Cancer and Reproductive Harm
www.P65Warnings.ca.gov

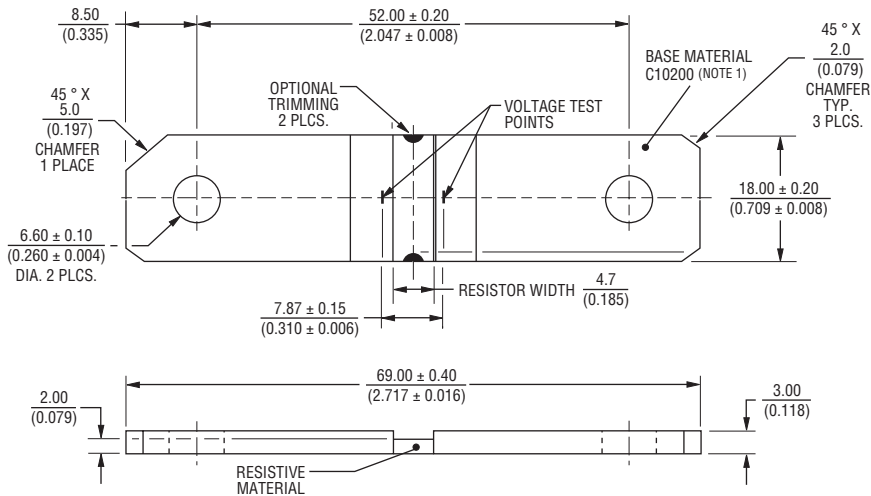
*RoHS Directive 2015/863, Mar 31, 2015 and Annex.

Specifications are subject to change without notice. Users should verify actual device performance in their specific applications. The products described herein and this document are subject to specific legal disclaimers as set forth on the last page of this document, and at www.bourns.com/docs/legal/disclaimer.pdf.

Model CSM2F-6918 Series Current Sense Resistor w/Tinned Terminals



Product Dimensions



NOTES:

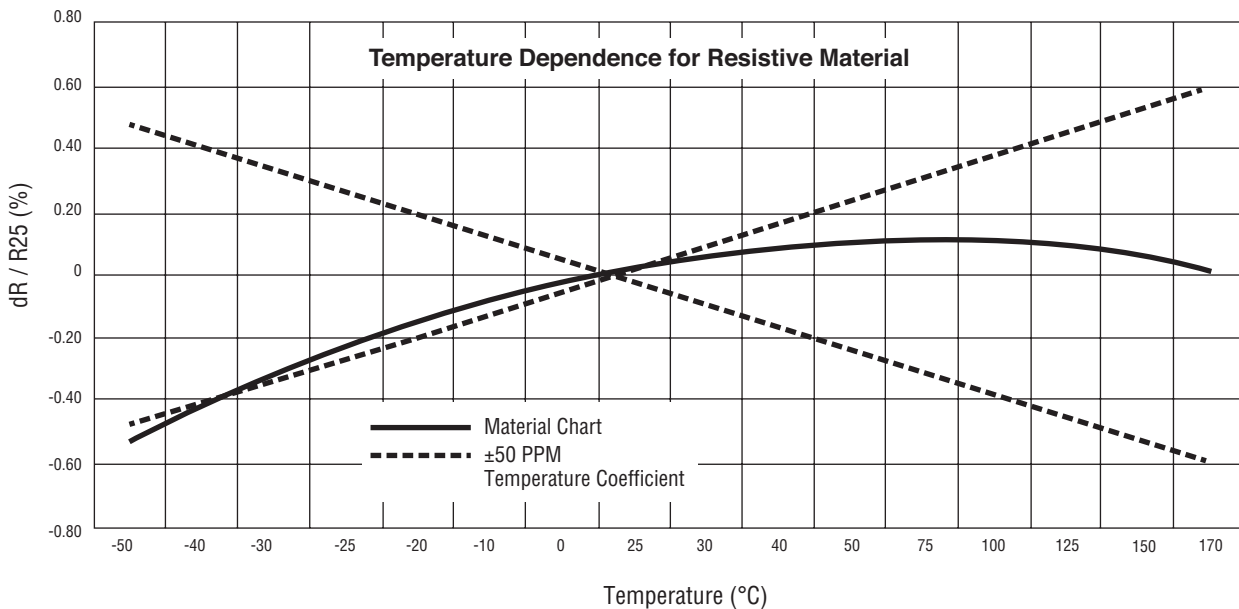
1. Tinned Terminals: 100 % Sn, RoHS Complaint, JESD201 Class-2, ST200 Process, 2.5 -8 micrometers, NI underplate 1.5- 4 micrometers.
2. Base Material Copper: C10200 Temper 1/2 Hard.

DIMENSIONS: $\frac{\text{MM}}{\text{(INCHES)}}$

TOLERANCES: $\frac{0.25}{(.010)}$

UNLESS OTHERWISE NOTED

TCR Curves

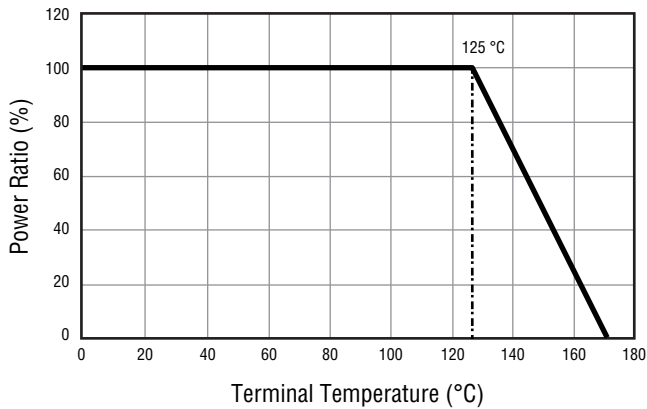


Specifications are subject to change without notice.

Users should verify actual device performance in their specific applications.

The products described herein and this document are subject to specific legal disclaimers as set forth on the last page of this document, and at www.bourns.com/docs/legal/disclaimer.pdf.

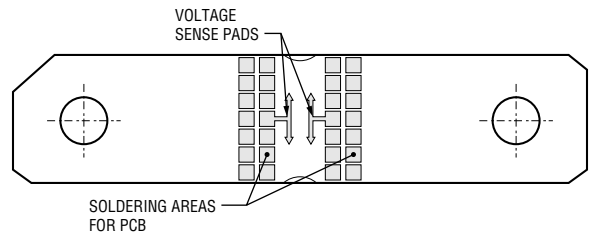
Power Derating Curve



Packaging Specifications

Bulk Pack.....50 pcs. per plastic bag
 100 pcs. per box
 Tray Pack52 pcs. per high impact polystyrene tray
 260 pcs. per box
 Size.....300 mm x 246 mm (11.811 in. x 9.685 in.)

Reference Pad for SMD Mounting



General Specifications

Moisture Sensitivity Level.....1
 ESD Classification..... Level 6
 per AEC-Q200-002,
 ≥ 25,000 V air discharge