



MS70S Series

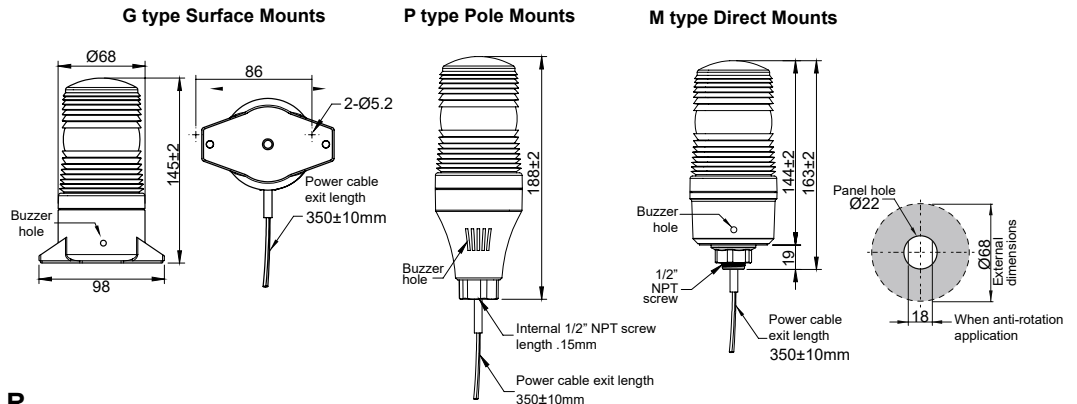
Ø70mm Xenon Lamp Strobe Light

- low intensity strobe ideal for industrial applications
- Field replaceable snap-fit flashing lamp
- Three mounting options
- IP65



Dimensions

unit: mm



Ordering Information

MS70S - G 00 - R
 ① ② ③

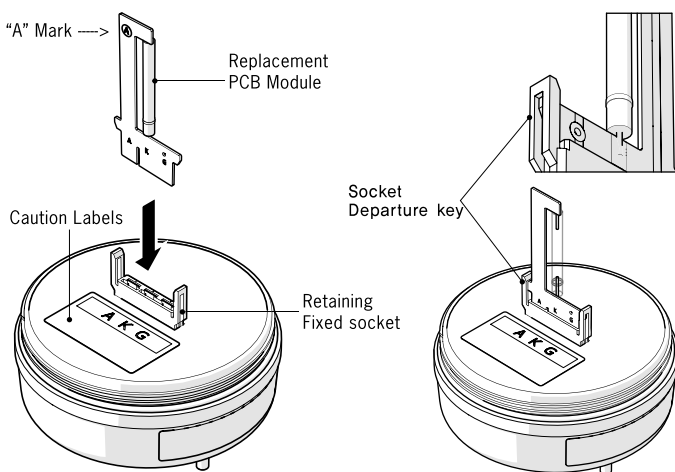
① Mounting Type	G	Surface Mounting
	M	Direct mounting
	P	Pole mounting
② Power Supply	00	12~48VDC
	10	110VAC
	20	220VAC
③ Lens Colors	R	Red
	Y	Yellow
	G	Green
	B	Blue

Specifications

Function	Flashing
Power Supply	12 ~ 48VDC, 110VAC, 220VAC(AC 50/60Hz)
Dimension	68 mm
Lens Color	Red, Yellow, Green, Blue
Flashing rate	12~48VDC : 80±5 times per minute 110VAC : 77±5 times per minute 220VAC : 60±5times per minute
Current consumption	12~48VDC : 0.08~0.2A 110VAC : 0.07A 220VAC : 0.04A
Connection	UL2464/18AWG, AWM, 2C, 300V
Material	Body - ABS resin Lens - PC resin
Ambient temperature	-20 to 50°C
Storage ambient temperature	-20 to 70°C
Ambient Humidity	45~85% RH
Insulation resistance	500VAC 50 / 60Hz for 1 minute
Vibration	10 to 55Hz (cycle 1 minute) Amplitude 0.75mm X, Y, Z 1 hour in each direction
Approval	RoHS
Protection structure	IP65
Weight (DC type)	G type: app.196g M type: app.195g P type: app.198g

*Lifetime of the lamp varies according to operating conditions and environment.

How to install Xenon bulb

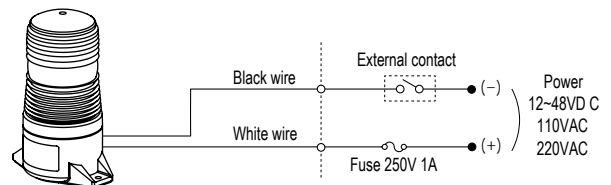


The new lamp should be inserted firmly to match the same signal A K G (or A G K) mark. Printed "A" in circuit and label.

- ⚠ - If you insert reverse direction, the lamp can not operate.
- Insert the lamp circuit board correctly, not to inclined.

See page 19-21 for mounting options and accessories

Wiring Diagram



MS70S -LAMP-AL	
	Xenon lamp Type: 3W Lamp life: App 2,000 hours