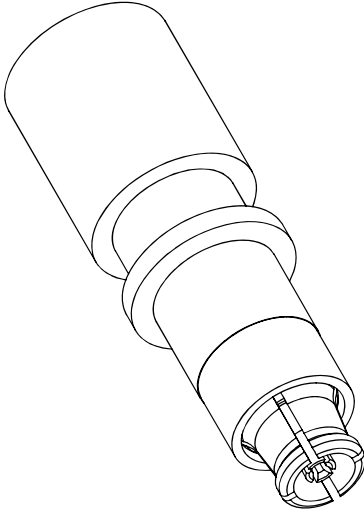
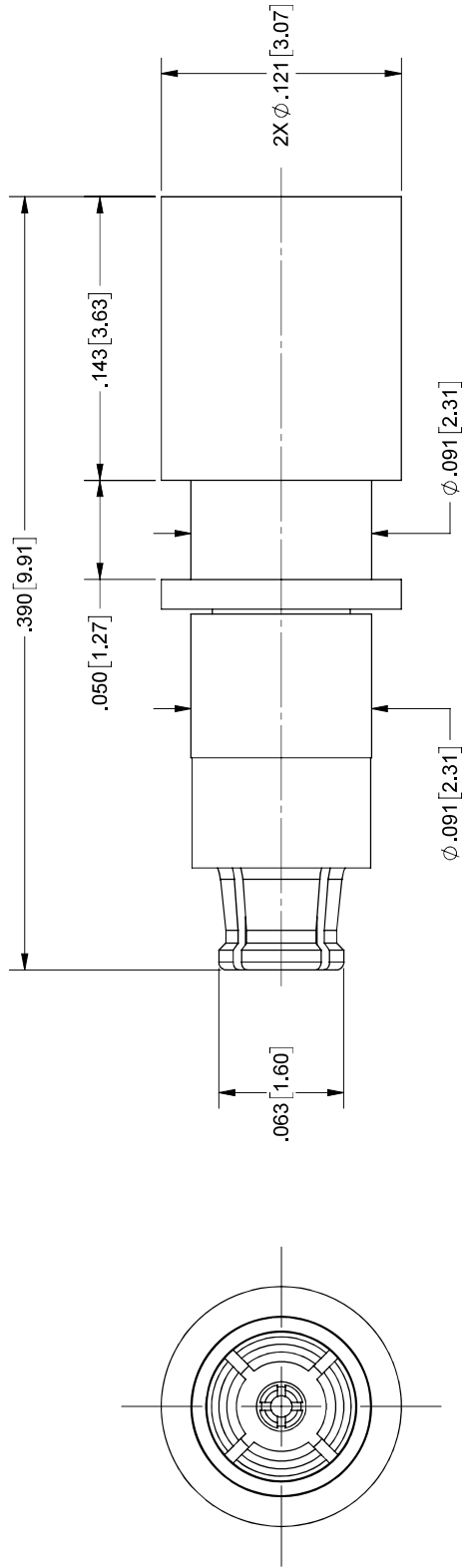


ROHS COMPLIANT

PRODUCT DATA DRAWING

| REVISION HISTORY | | |
|------------------|-------------|----------|
| REV | DESCRIPTION | DATE |
| - | DCN 43145 | 03/17 |
| | | APPROVED |
| | | GPF |



MATERIAL:

BODY & CONTACT: BERYLLIUM COPPER PER ASTM B196, ALLOY No. UNS C17300, TD04

SLEEVE: STAINLESS STEEL PER ASTM B196, ALLOY No. UNS C17300, TD04

INSULATOR: PTFE PER ASTM D1710, TYPE I, GRADE 1, CLASS B

FINISH:

BODY & CONTACT: GOLD PER ASTM B488, TYPE II, CODE C, CLASS 1.27, OVER NICKEL PER AMS-QQ-N-290, CLASS 1, .00005" MIN.

SLEEVE: PASSIVATED PER AMS-2700.

PERFORMANCE:

IMPEDANCE: 50 OHMS

MATERIAL: SEE NOTES

FINISH: SEE NOTES

SURFACE AREA: N/A

PROPRIETARY
THE INFORMATION CONTAINED IN THIS DRAWING IS THE SOLE PROPERTY OF SV MICROWAVE, INC. ANY REPRODUCTION IN PART OR AS A WHOLE WITHOUT THE WRITTEN PERMISSION OF SV MICROWAVE, INC IS PROHIBITED.

UNLESS OTHERWISE SPECIFIED

- 1) ALL DIMENSIONS ARE IN INCHES (MILLIMETERS)
- 2) BREAK CORNERS & EDGES, .0625" R. MAX.
- 3) SURFACE FINISH, SEE SURFACE FINISH SPECIFICATION
- 4) SURFACE FINISH, SEE SURFACE FINISH SPECIFICATION
- 5) SURFACE FINISH, SEE SURFACE FINISH SPECIFICATION
- 6) ALL DIMENSION CENTERS TO BE CONCENTRIC
- 7) REMOVE ALL BURRS

DRAWN: VB 03/03/17

CHECKED: GPF 03/03/17

APPROVED: GPF 03/03/17

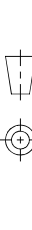
DIMENSIONS ARE IN INCHES TOLERANCES:

FRACTIONAL: ±1/64 ANGULAR: X° ±1'0"

DECIMAL: .XX ±.000

INTERPRET DIMENSIONS AND TOLERANCES PER ASME Y14.5M - 1994

THIRD ANGLE PROJECTION



SV Microwave, Inc.

2400 Centrepark West Drive, Suite 100
West Palm Beach, FL 33409

TITLE:

SMPS FEMALE

FOR Ø.065 CABLE

SIZE: CAGE CODE DWG. NO. 3821-40027

SCALE: 1:1 SHEET 1 OF 1