

Si4693 Data Short

Low-Power, High-Performance AM/FM HD Radio™ Baseband Processor

The Si4693 HD Radio™ radio processor provides significant advances in size, power consumption, and performance to enable HD Radio reception in automotive infotainment systems and car radios as well as in high-end audio/video receivers and pro-audio systems. It is designed to work with the high-performance automotive Si479x families of AM/FM radio tuners.

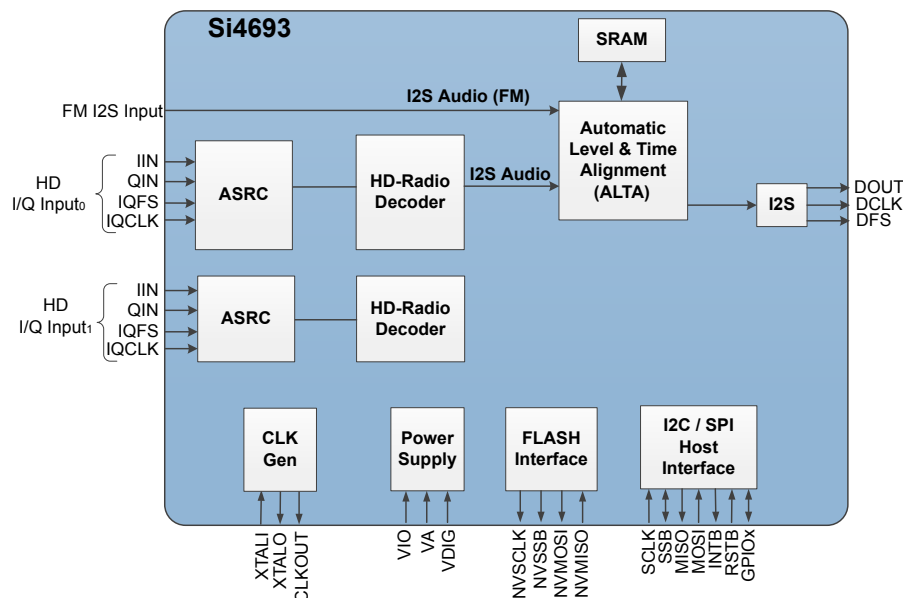
The Si4693 HD Radio processor supports the iBiquity and NRSC-5 standards for FM In-Band-On-Channel (IBOC) and AM IBOC digital radio broadcasting. The processors support Station Information Service (SIS), Service Information Guide (SIG), Program Service Data (PSD), IBOC multicasting, and HD Radio digital audio.

Applications

- Aftermarket car radio systems
- OEM automotive infotainment systems
- OEM automotive PND docking systems

KEY FEATURES

- Dual AM/FM HD Radio channel decoder
- Complete dual on-chip HDC audio source decoder
- FM HD1, HD2, HD3 multicast support
- Automatic Time and Level Alignment
- Station Information Service (SIS) support
- Program Service Data (PSD)
- Advanced Application Services (AAS) Payload for data applications
- No external RAM required for channel decoding
- Flash memory interface for application program load
- On-chip crystal oscillator
- Reference clock input
- SPI, I2C control interfaces
- LGA 72-pin, 10x10x1 mm
- LGA 72-pin, 10x10x1 mm
- Pb-free/RoHS compliant
- AEC-Q100 qualified



1. Pin Descriptions

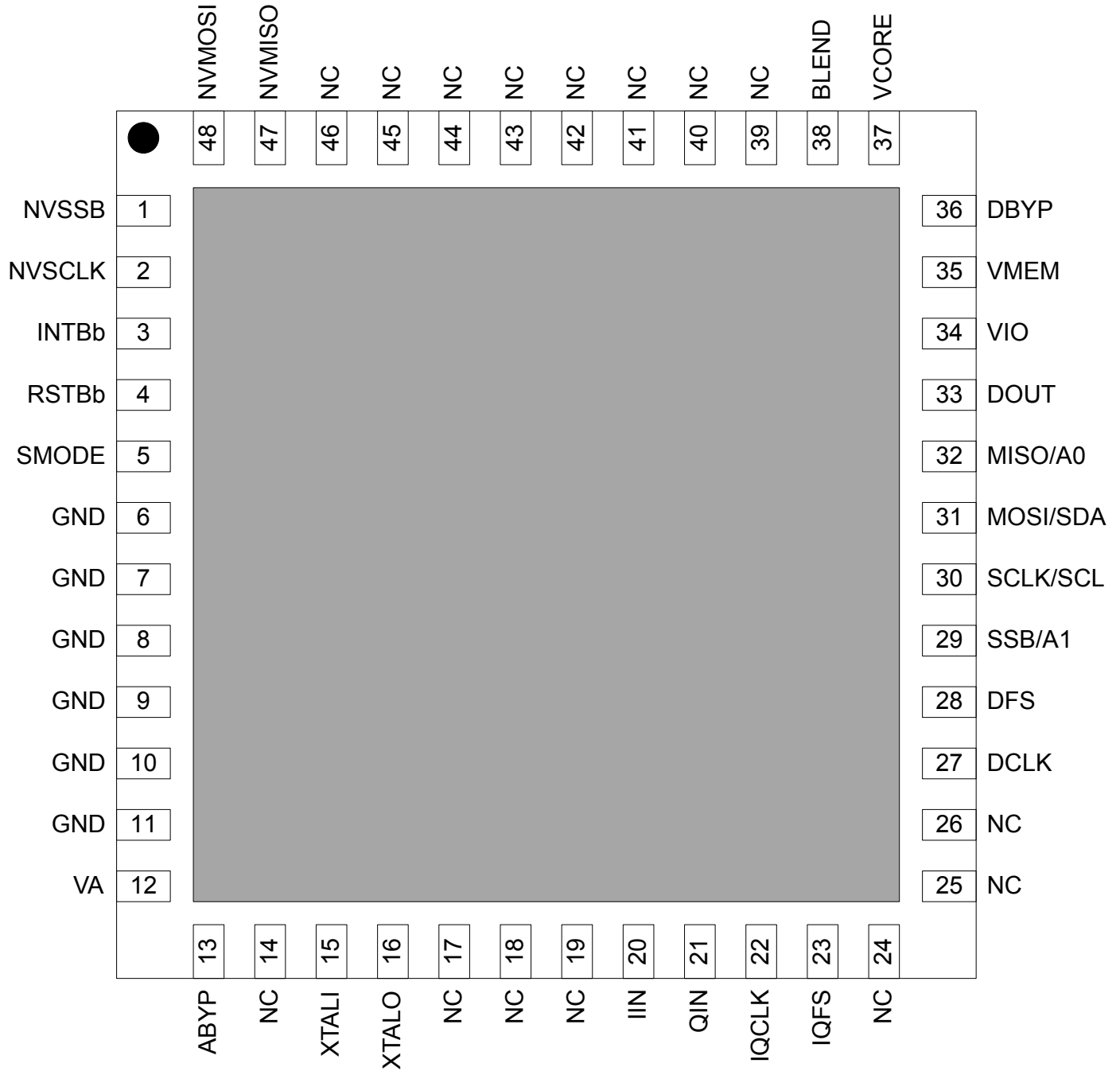


Figure 1.1. Si4693 Pinout Diagram

2. Package Outline

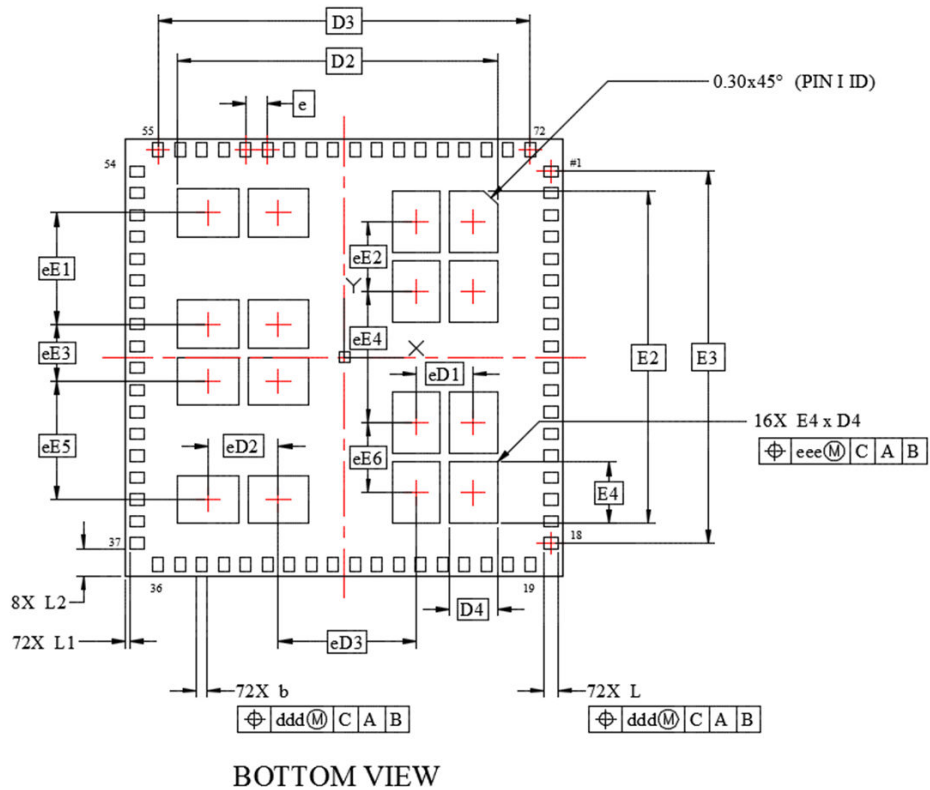
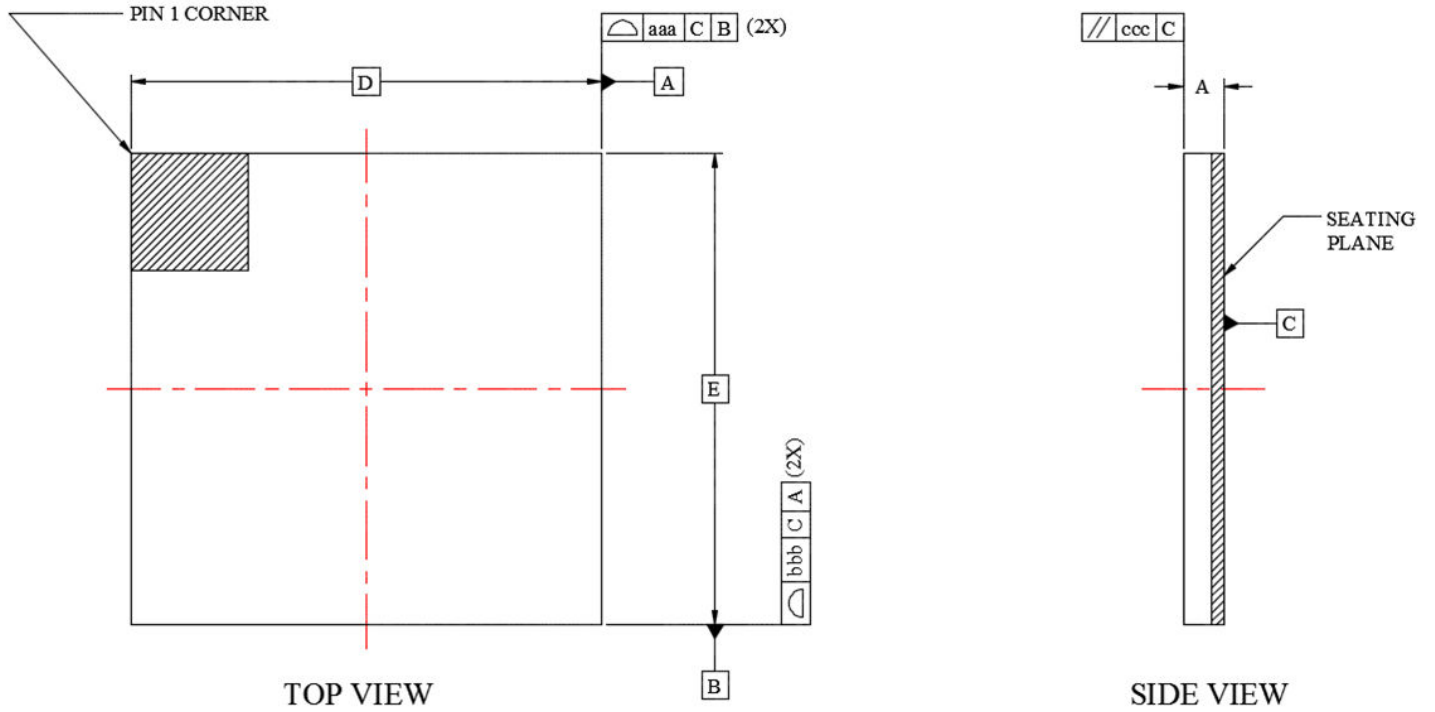


Figure 2.2. 10 x 10 mm 72-Pin LGA

Table 2.1. Package Dimensions

Dimension	Min	Nom	Max
A	1.00	1.08	1.20
b	0.15	0.25	0.35
D	10.0 BSC		
D2	7.20	7.30	7.40
D3	8.50 BSC		
D4	1.00	1.10	1.20
e	0.50 BSC		
E	10.0 BSC		
E2	7.50	7.60	7.70
E3	8.50 BSC		
E4	1.30	1.40	1.50
L	0.225	0.325	0.425
L1	0.05	0.10	0.15
L2	0.575	0.625	0.675
eD1	1.30 BSC		
eD2	1.60 BSC		
eD3	3.15 BSC		
eE1	2.55 BSC		
eE2	1.60 BSC		
eE3	1.30 BSC		
eE4	3.00 BSC		
eE5	2.70 BSC		
eE6	1.60 BSC		
aaa	0.10		
bbb	0.10		
ccc	0.10		
ddd	0.10		
eee	0.10		

Note:

1. All dimensions shown are in millimeters (mm) unless otherwise noted.
2. Dimensioning and Tolerancing per ANSI Y14.5M-1994.
3. This drawing conforms to the JEDEC Solid State Outline MO-220.
4. Recommended card reflow profile is per the JEDEC/IPC J-STD-020 specification for Small Body Components.



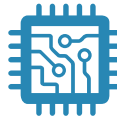
SKYWORKS®

**Connecting Everyone
and Everything,
All the Time**



Portfolio

www.skyworksinc.com



Quality

www.skyworksinc.com/quality



Support & Resources

www.skyworksinc.com/support

Copyright © 2021 Skyworks Solutions, Inc. All Rights Reserved.

Information in this document is provided in connection with Skyworks Solutions, Inc. ("Skyworks") products or services. These materials, including the information contained herein, are provided by Skyworks as a service to its customers and may be used for informational purposes only by the customer. Skyworks assumes no responsibility for errors or omissions in these materials or the information contained herein. Skyworks may change its documentation, products, services, specifications or product descriptions at any time, without notice. Skyworks makes no commitment to update the materials or information and shall have no responsibility whatsoever for conflicts, incompatibilities, or other difficulties arising from any future changes.

No license, whether express, implied, by estoppel or otherwise, is granted to any intellectual property rights by this document. Skyworks assumes no liability for any materials, products or information provided hereunder, including the sale, distribution, reproduction or use of Skyworks products, information or materials, except as may be provided in Skyworks' Terms and Conditions of Sale.

THE MATERIALS, PRODUCTS AND INFORMATION ARE PROVIDED "AS IS" WITHOUT WARRANTY OF ANY KIND, WHETHER EXPRESS, IMPLIED, STATUTORY, OR OTHERWISE, INCLUDING FITNESS FOR A PARTICULAR PURPOSE OR USE, MERCHANTABILITY, PERFORMANCE, QUALITY OR NON-INFRINGEMENT OF ANY INTELLECTUAL PROPERTY RIGHT; ALL SUCH WARRANTIES ARE HEREBY EXPRESSLY DISCLAIMED. SKYWOKS DOES NOT WARRANT THE ACCURACY OR COMPLETENESS OF THE INFORMATION, TEXT, GRAPHICS OR OTHER ITEMS CONTAINED WITHIN THESE MATERIALS. SKYWOKS SHALL NOT BE LIABLE FOR ANY DAMAGES, INCLUDING BUT NOT LIMITED TO ANY SPECIAL, INDIRECT, INCIDENTAL, STATUTORY, OR CONSEQUENTIAL DAMAGES, INCLUDING WITHOUT LIMITATION, LOST REVENUES OR LOST PROFITS THAT MAY RESULT FROM THE USE OF THE MATERIALS OR INFORMATION, WHETHER OR NOT THE RECIPIENT OF MATERIALS HAS BEEN ADVISED OF THE POSSIBILITY OF SUCH DAMAGE.

Skyworks products are not intended for use in medical, lifesaving or life-sustaining applications, or other equipment in which the failure of the Skyworks products could lead to personal injury, death, physical or environmental damage. Skyworks customers using or selling Skyworks products for use in such applications do so at their own risk and agree to fully indemnify Skyworks for any damages resulting from such improper use or sale.

Customers are responsible for their products and applications using Skyworks products, which may deviate from published specifications as a result of design defects, errors, or operation of products outside of published parameters or design specifications. Customers should include design and operating safeguards to minimize these and other risks. Skyworks assumes no liability for applications assistance, customer product design, or damage to any equipment resulting from the use of Skyworks products outside of Skyworks' published specifications or parameters.

Skyworks, the Skyworks symbol, Sky5®, SkyOne®, SkyBlue™, Skyworks Green™, Clockbuilder®, DSPLL®, ISOModem®, ProSLIC®, and SiPHY® are trademarks or registered trademarks of Skyworks Solutions, Inc. or its subsidiaries in the United States and other countries. Third-party brands and names are for identification purposes only and are the property of their respective owners. Additional information, including relevant terms and conditions, posted at www.skyworksinc.com, are incorporated by reference.

Skyworks Solutions, Inc. | Nasdaq: SWKS | sales@skyworksinc.com | www.skyworksinc.com

USA: 781-376-3000 | Asia: 886-2-2735 0399 | Europe: 33 (0)1 43548540 | [in](https://www.linkedin.com/company/skyworks) [f](https://www.facebook.com/skyworks) [t](https://twitter.com/skyworks) [y](https://www.youtube.com/skyworks)