

WISE-DK1520 Starter Kit

Development Kit for Low Power Wi-Fi
M2.COM Module WISE-1520

NEW



m2.com

CE FCC RoHS COMPLIANT PRODUCT

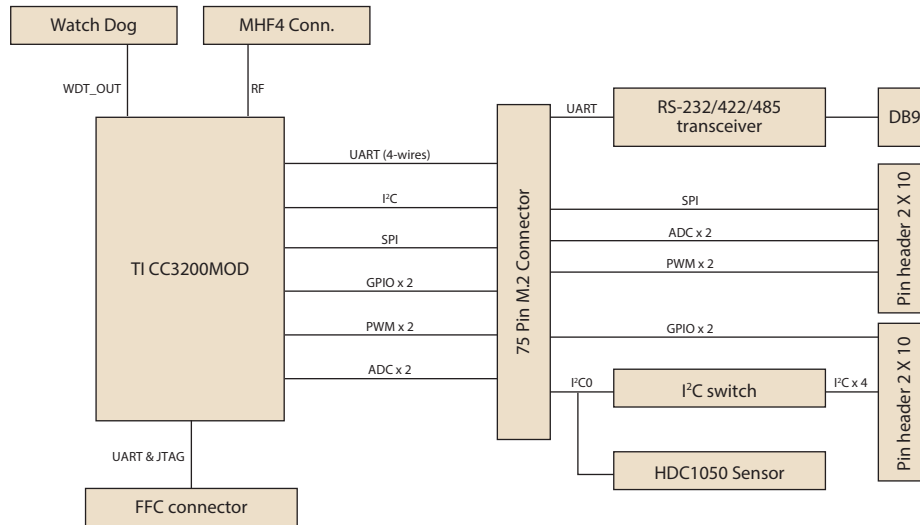
Features

- Development kit for WISE-1520
- ARM Cortex-M4 processor
- RAM 256 KB memory / 1MB Serial Flash
- Built-in low-power Wi-Fi connectivity
- Supports 1 UART, 1 I2C, 1 SPI, 2 GPIO, 2 PWM, 2 ADC
- 22 x 30 mm M.2 key E
- Build-in temperature and humidity sensor
- Cable & antenna included
- WISE-Agent built-in
- WISE-PaaS/RMM cloud solution ready
- SDK for development

Specifications

Processor System	CPU/MCU	TI ARM Cotec-M4 Processor
	RAM	256KB
	Flash	1MB
Form Factor		WISE-1520 Starter Kit
Wireless Network	Standard	IEEE802.11 b/g/n
	Frequency Band	2.412~2.472 GHz
	Channels	World Wide 13 Channels 1-11 with active scan, Channels 12,13 with passive scan
	Topology	Star network
	Transmit Power	17 dBm at 1 DSSS 17.25 dBm at 11 CCK 13.5 dBm at 54 OFDM
	Receiver Sensitivity	-94.7 dBm at 1 DSSS -87 dBm at 11 CCK -73 dBm at 54 OFDM
	RF Data Rate	UDP:16Mbps TCP: 13Mbps
	Function	End node
	Antenna connector	MHF4 connector
Ethernet		-
Cellular		-
GPS		-
Programing Port		-
Debug Port		1 develop and debug with WISE-ED20
Watchdog Timer		1 TPS3820 WDT, 900ms time-out
Indicator and Button	LED	2, Power LED, CB_PWR_ON LED
	Button	2, Reset, Wake Up
	Serial Port	-
	Switch	2, Re-configuration, RF disable
I/O	RS-232/422/485	1 (by jumper setting)
	SPI	1
	ADC	2
	PWM	2
	GPIO	2
	I ² C	1 (with 1 to 4 port switch)
	Sensor	1 Humidity/Temperature sensor
Expansion	SIM Socket	-
	Mini PCIe Socket	-
Power	Power Supply Voltage	5V
	Power Consumption	-

Block Diagram



Specifications Cont.

Environment	Operational Temperature	-20 ~ 70° C
	Operating Humidity	5% ~ 95% Relative Humidity, non-condensing
Mechanical	Dimensions (W x D)	100 x 72 mm
Operating System		TI RTOS/mbed OS
Certification		CE/FCC Class B

Ordering Information

Part No.	Description
WISE-DK1520-TB00E	WISE-1520 M2.COM quick starter kit with TI-RTOS -20 ~ 70° C

Packing List

Part Number	Part Description
9696150000E	ASS'Y WISE-DB1500 A101-1 M2.COM CARRIER
9696152000E	ASS'Y WISE-1520 A101-1 CC3200MOD M2.COM MODUAL
9696WED200E	ASS'Y WISE-ED20 A101-1 M2.COM Daughter Board
XRISC-ADP-10HW-AG	ADP A/D 100-240V 10W 5V WM
1653300100	MINI JUMPER 2P 2.54mm 180D(F) 1132-040-02
1700015038	FPC Cable 10P-0.5mm 7.9cm for DCU2.0
1700023619-01	A cable USB-A 4P(M)/micro USB 5P(M) 1m ADAM-T212
1700025875-01	A cable 1P-2.54*20/1P-2.54*20 20cm
1700025876-01	M cable USB-A 4P(M)/Plug-in 2P-5.0 90CM
1750007965-01	Antenna Cable R/P SMA (M) to MHF4, 300mm
1750008314-01	Antenna 2.4GHz 2dBi SMA Male Reverse L=100mm
1931000590	Screw M2.5x5L F/S D=5.3 H=0.8 (1+) ST Ni
193A231540	POST F=M3*6L M=M3*6L D=5 d=2.88 B=5 H=15 Cu
968EMLSAP1	SUSIAccess Pro V2.0 Package download card/flyer/