

CMOS Output Programmable SMD Crystal Clock Oscillator

AP3S series

Request Samples



Check Inventory



ESD Sensitive



3.2 x 2.5 x 1.2 mm

RoHS/RoHS II Compliant

MSL Level = N/A

Features

- Performance comparable to fixed frequency oscillator
- Short lead time, Suitable for mass production
- CMOS output waveform, Tri-state output function
- 1.8V, 2.5V and 3.3V Supply Voltage Options
- Hermetically seam-sealed ceramic package

Applications

- Industrial control and automation
- Portable and wearable electronics
- Internet of Things (IoT)
- Consumer electronics
- Networking

Key Electrical Specifications

Parameters		Min.	Typ.	Max.	Units	Notes
Frequency Range	V _{dd} = 3.3V	1		200	MHz	
	V _{dd} = 2.5V	1		200		
	V _{dd} = 1.8V	1		125		
Operating Temperature		-10		+60	°C	See options
Storage Temperature		-50		+125	°C	
Overall Frequency Stability*		-100		+100	ppm	See options
Supply Voltage (V _{dd})	V _{dd} = 3.3V	3.135	3.30	3.465	V	Standard
	V _{dd} = 2.5V	2.375	2.50	2.625		V _{dd} option 1
	V _{dd} = 1.8V	1.71	1.80	1.89		V _{dd} option 2
Input Current	V _{dd} = 3.3V			40	mA	
	V _{dd} = 2.5V			35		
	V _{dd} = 1.8V			30		
Symmetry**		45	50	55	%	@ 1/2V _{dd}
Rise and Fall Time (Tr/Tf)***	V _{dd} = 3.3V			4	ns	
	V _{dd} = 2.5V			5		
	V _{dd} = 1.8V			6		
Output Load				15	pF	CMOS
Output Voltage	V _{OL}			0.4	V	
	V _{OH}	V _{dd} - 0.4				
Start-up Time				8	ms	
Tri- state function		"1" (V _{IH} > 0.7* V _{dd}) or Open: Oscillation "0" (V _{IH} < 0.3* V _{dd}): No Oscillation (High Impedance)				
Standby current (Power Down option)			<400		uA	V _{dd} = 1.8, 2.5, 3.3V



5101 Hidden Creek Ln Spicewood TX 78669
 Phone: 512-371-6159 | Fax: 512-351-8858
 For terms and conditions of sales, please visit:
www.abracon.com

REVISED: 09-05-22

ABRACON IS
 ISO9001-2015
 CERTIFIED

CMOS Output Programmable SMD Crystal Clock Oscillator

AP3S series

Request Samples



Check Inventory



ESD Sensitive



3.2 x 2.5 x 1.2 mm
RoHS/RoHS II Compliant
MSL Level = N/A

Parameters	Min.	Typ.	Max.	Units	Notes
RMS Phase Jitter**** @25°C± 3°C (10 - 39MHz: 12kHz to 5MHz) (>39MHz: 12kHz to 20MHz)		1	2	ps	V _{dd} =3.3V
		1.1	2	ps	V _{dd} =2.5V
		1.5	2.2	ps	V _{dd} =1.8V
Aging:	-3.0		+3.0	ppm	@+25°C First year

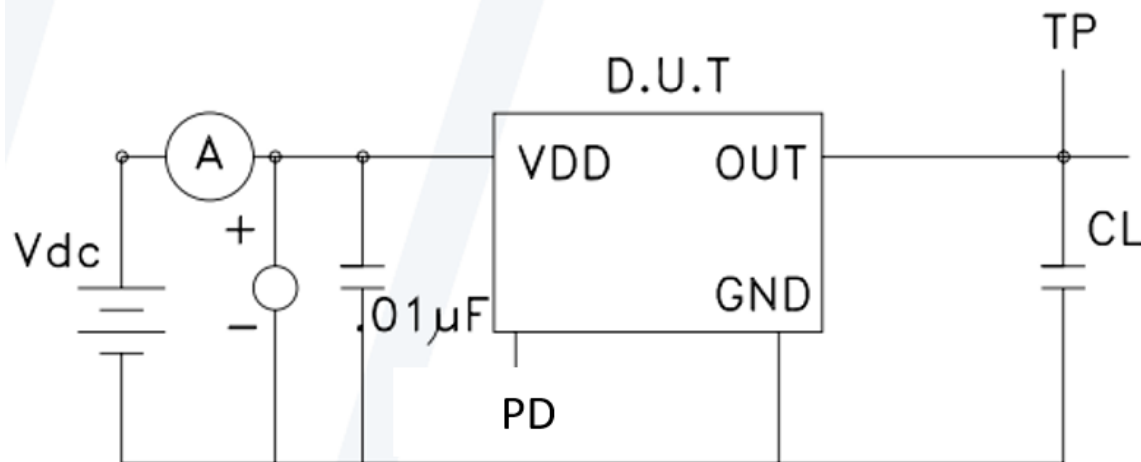
* Inclusive of calibration tolerance @25°C, operating temperature range, input voltage variation, load variation, and first year aging. For ±20ppm Overall Frequency Stability: Inclusive of calibration tolerance @25°C, operating temperature range, and load variation.

** Only 40/60% is available for certain frequencies. Please contact Abracon when ordering.

*** Transition times are measured between 10% and 90% of V_{dd} with an output load of 15 pF.

**** Frequency dependent, contact factory.

Test Circuit



CL = 15pF (including probe capacitance)

CMOS Output Programmable SMD Crystal Clock Oscillator

AP3S series

Request Samples



Check Inventory



ESD Sensitive



3.2 x 2.5 x 1.2 mm
RoHS/RoHS II Compliant
MSL Level = N/A

Options and Part Identification (left blank if standard)

AP3S - MHz - -

Supply Voltage
*Blank: 3.3V
1: 2.5V
2: 1.8V

Frequency in MHz
Please specify the frequency in MHz e.g. 14.31818MHz

Operating Temp.
Blank: -10°C ~ +60°C
I: 0°C ~ +50°C
E: -20°C ~ +70°C
F: -30°C ~ +70°C
N: -30°C ~ +85°C
L: -40°C ~ +85°C

Overall Freq. Stability
J(**): ±20ppm
R: ±25ppm
K: ±30ppm
C: ±50ppm

Tri-state pin
**B: Power Down

Packaging
Blank: Bulk
T: Tape & Reel (1k/reel)
T3: Tape & Reel (3k/reel)

* 3.3V is standard

** PDB: Tri-state the output buffer and shut off the oscillator.

***Contact ABRACON for availability.



5101 Hidden Creek Ln Spicewood TX 78669
Phone: 512-371-6159 | Fax: 512-351-8858
For terms and conditions of sales, please visit:
www.abracon.com

REVISED: 09-05-22

ABRACON IS
ISO9001-2015
CERTIFIED

CMOS Output Programmable SMD Crystal Clock Oscillator

AP3S series

Request Samples



Check Inventory

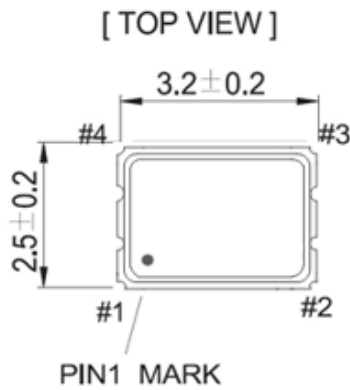


ESD Sensitive

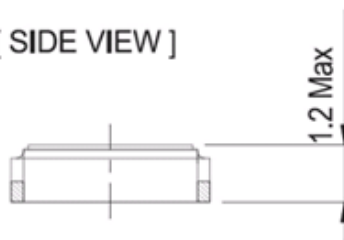


3.2 x 2.5 x 1.2 mm
RoHS/RoHS II Compliant
MSL Level = N/A

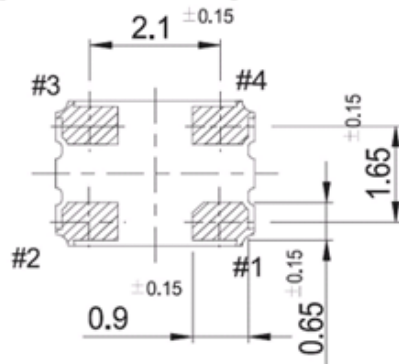
Mechanical Dimensions



[SIDE VIEW]

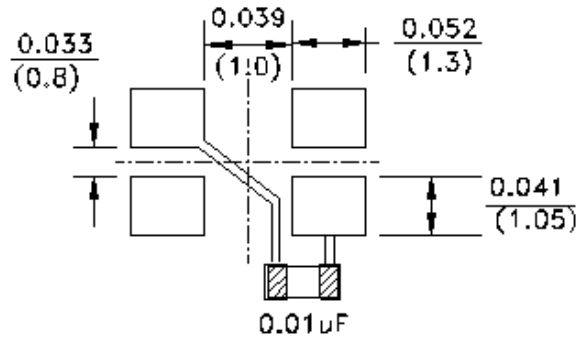


[BOTTOM VIEW]



UNIT : mm

Recommended land pattern



Pin	Function
1	Tri-State
2	GND/Case
3	Output
4	V _{DD}

Note 1

- Do not leave Pin 1 (Tri-State) floating
- If Pin 1 (Tri-State) is not utilized for toggling, it must be tied to V_{DD} (logic 1).

Note 2

- Recommend using an approximately 0.01µF bypass capacitor between PIN 2 and 4

Dimensions: inches (mm)

CMOS Output Programmable SMD Crystal Clock Oscillator

AP3S series

Request Samples



Check Inventory



ESD Sensitive



3.2 x 2.5 x 1.2 mm
RoHS/RoHS II Compliant
MSL Level = N/A

Reflow Profile

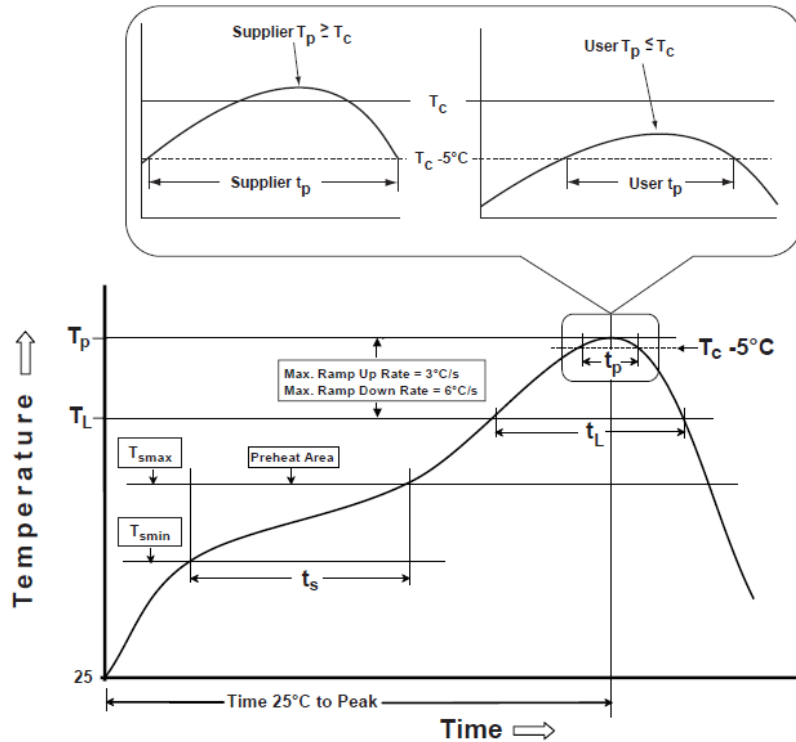


Table 1

SnPb Eutectic Process
Classification Temperatures (T_C)

Package Thickness	Volume mm ³ <350	Volume mm ³ ≥350
<2.5 mm	235 °C	220 °C
≥2.5 mm	220 °C	220 °C

Table 2

Pb-Free Process
Classification Temperatures (T_C)

Package Thickness	Volume mm ³ <350	Volume mm ³ 350-2000	Volume mm ³ >2000
<1.6 mm	260 °C	260 °C	260 °C
1.6 mm - 2.5 mm	260 °C	250 °C	245 °C
>2.5 mm	250 °C	245 °C	245 °C

Profile Feature	Sn-Pb Eutectic Assembly	Pb-Free Assembly
Preheat / soak		
Temperature minimum (T_{smin})	100°C	150°C
Temperature maximum (T_{smax})	150°C	200°C
Time (T_{smin} to T_{smax}) (t_s)	60 - 120 sec.	60 - 120 sec.
Average ramp-up rate (T_{smax} to T_p)	3°C/sec. max	3°C/sec. max
Liquidous temperature (T_L)	183°C	217°C
Time at liquidous (t_L)	60 - 150 sec.	60 - 150 sec.
Peak package body temperature (T_p)*	see Table 1	see Table 2
Time (t_p)** within 5°C of the specified classification temperature (T_C)	20 sec.	30 sec.
Ramp-down rate (T_p to T_{smax})	6°C/sec. max	6°C/sec. max
Time 25°C to peak temperature	6 min. max	8 min. max
Reflow cycles	2 max	2 max

*Tolerance for peak profile temperature (T_p) is defined as a supplier minimum and a user maximum.

**Tolerance for time at peak profile temperature (t_p) is defined as supplier minimum and a user maximum.

CMOS Output Programmable SMD Crystal Clock Oscillator

AP3S series

Request Samples



Check Inventory



ESD Sensitive

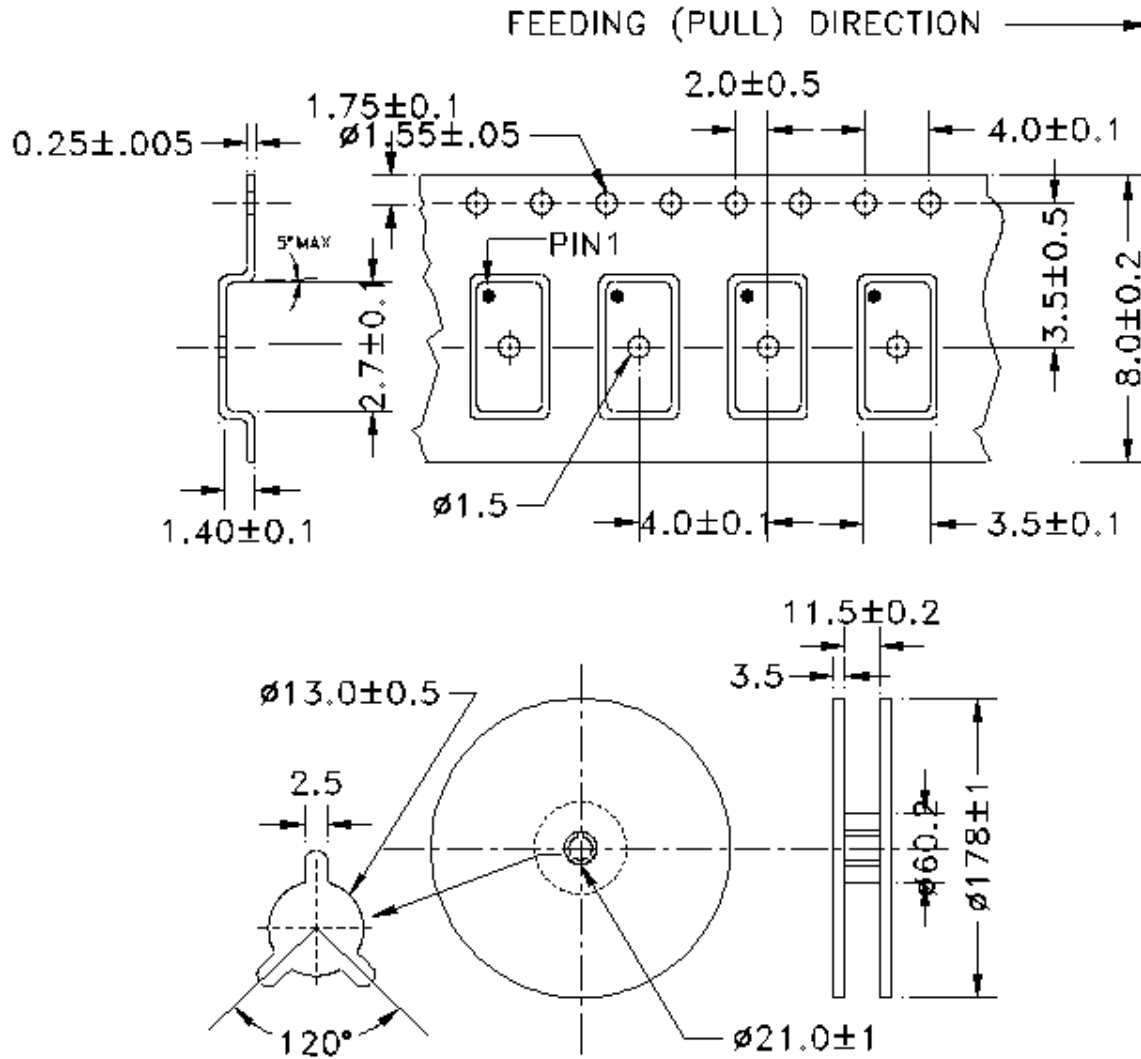


3.2 x 2.5 x 1.2 mm
RoHS/RoHS II Compliant
MSL Level = N/A

Packaging

T= Tape and reel (1,000pcs/reel)

T3= Tape and reel (3,000pcs/reel)



Dimensions: mm

ATTENTION: Abracon LLC's products are COTS – Commercial-Off-The-Shelf products; suitable for Commercial, Industrial and, where designated, Automotive Applications. Abracon's products are not specifically designed for Military, Aviation, Aerospace, Life-dependent Medical applications or any application requiring high reliability where component failure could result in loss of life and/or property. For applications requiring high reliability and/or presenting an extreme operating environment, written consent and authorization from Abracon LLC is required. Please contact Abracon LLC for more information.



5101 Hidden Creek Ln Spicewood TX 78669
Phone: 512-371-6159 | Fax: 512-351-8858
For terms and conditions of sales, please visit:
www.abracon.com

REVISED: 09-05-22

ABRACON IS
ISO9001-2015
CERTIFIED