

# Cube Timers – Delay on Operate

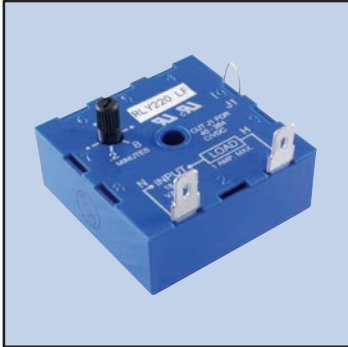
## RLY220 Series



Knob Adjustable, AC or DC, Delay on Operate, Solid State, Universal Cube Timer.

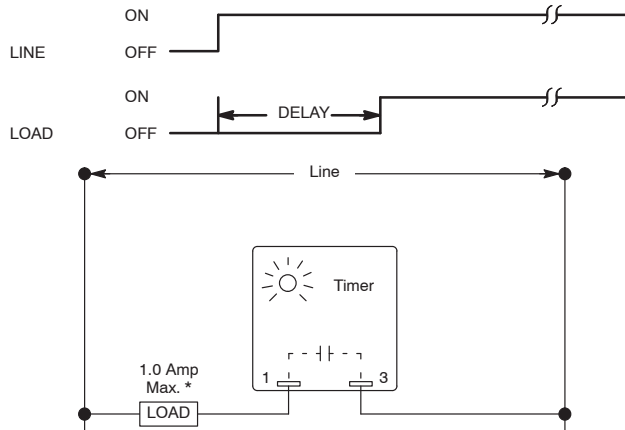
### Features

- 2 x 2 Industry Standard Package
- 18–264 Volts AC or DC Operation
- 0.2 to 8 Minutes (12 to 480 Seconds) Timing Range
- $\pm 0.5\%$  Repeat Accuracy
- Transient Protected
- .250" Quick Connect Terminals
- Encapsulated Construction



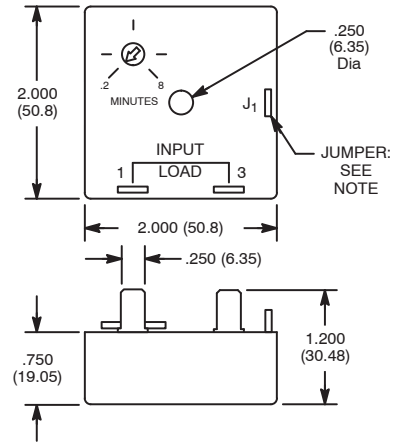
### OPERATION

**DELAY ON OPERATE**– The delay period begins when input voltage is applied. At the end of the delay period, the relay will operate and will not release until input voltage is removed. Reset occurs when input voltage is reapplied.



\* For higher current applications connect a switching relay in series with timer in place of load.

### D67



NOTE: 18–40 V AC or DC  
Cut J<sub>1</sub> for 40–264 V AC, DC

## Ratings and Specifications

### Operating Voltage Range (Line):

**Jumper J<sub>1</sub> Not Cut:** 18–40 V DC or AC (50/60Hz)

**Jumper J<sub>1</sub> Cut:** 40–264 V DC or AC (50/60Hz)

**Switch Configuration:** Solid State, SPST

**Switching Current (Load):** 40mA Amp min., 1 Amp max.

**Timing Adjustment Range:** 0.2 to 8 minutes (12 to 480 seconds)

**Repeat Accuracy:**  $\pm 0.5\%$

**Reset Time:** 100ms Max.

**Expected Life (Electrical):** 100,000,000 operations @ rated load

**Operating Temperature:**  $-20^{\circ}$  to  $+80^{\circ}\text{C}$

**Storage Temperature:**  $-40^{\circ}$  to  $+85^{\circ}\text{C}$

**Dielectric Breakdown Voltage Between All Elements:** 1500V<sub>rms</sub>

**Transient Protection:** 1500 V for 150 $\mu\text{s}$

**Mounting:** One #8 or #10 Screw