

Evaluating the ADTR1107 with 6 GHz to 18 GHz, Front-End IC

FEATURES

- ▶ 2-layer Rogers 4350 evaluation board with heat sink
- ▶ End launch 2.9 mm RF connectors
- ▶ Through calibration path (unpopulated)

EVALUATION KIT CONTENTS

- ▶ 2-layer, Rogers 4350, ADTR1107-EVALZ evaluation board with heat sink

EQUIPMENT NEEDED

- ▶ RF signal generator
- ▶ RF spectrum analyzer
- ▶ RF network analyzer
- ▶ 5 V, 1 A power supply
- ▶ 3.3 V, 500 mA power supply
- ▶ 0 V to -2 V, 100 mA power supply
- ▶ Dual supply ± 3.3 V, 100 mA power supply

GENERAL DESCRIPTION

The ADTR1107-EVALZ evaluation board consists of a two-layer printed circuit board (PCB) fabricated from a 10 mil thick, Rogers 4350B copper clad mounted to an aluminum heat sink. The heat sink assists in providing thermal relief to the device as well as mechanical support to the PCB. Mounting holes on the heat sink allow attachment to larger heat sinks for improved thermal management.

The TX_IN, ANT, RX_OUT, and CPLR_OUT ports are populated by 2.9 mm, female coaxial connectors. The respective RF traces of the ports have a 50 Ω characteristic impedance. The ADTR1107-EVALZ is populated with components suitable for use over the -40°C to +85°C operating temperature range of the [ADTR1107](#). To calibrate board trace losses, a through calibration path is provided. However, to use the through calibration path, users must install and populate the path with RF connectors.

Access to drain, ground, and gate control voltages is through two, 24-pin headers.

RF traces are 50 Ω grounded, coplanar waveguide. Package ground leads and the exposed paddle connect directly to the ground plane. Multiple vias connect the top and bottom ground planes with particular focus on the area directly beneath the ground paddle to provide adequate electrical conduction and thermal conduction to the heat sink.

For more information about the [ADTR1107](#), refer to the [ADTR1107](#) data sheet. Consult the [ADTR1107](#) data sheet in conjunction with this user guide when using the ADTR1107-EVALZ evaluation board.

ADTR1107-EVALZ PHOTOGRAPHS

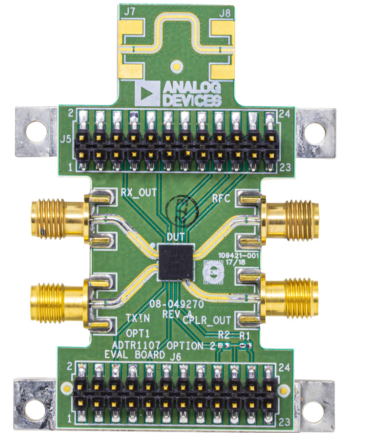


Figure 1. ADTR1107-EVALZ Top Side

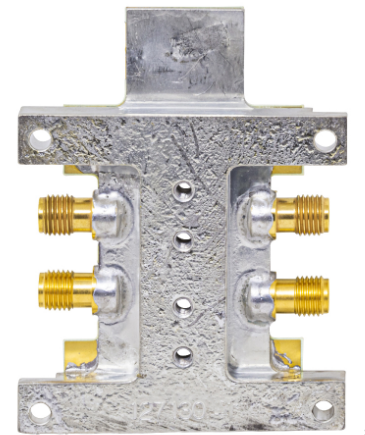


Figure 2. ADTR1107-EVALZ Bottom Side

TABLE OF CONTENTS

Features.....	1	Recommended Bias Sequences.....	3
Evaluation Kit Contents.....	1	Through Path Insertion Loss.....	3
Equipment Needed.....	1	Evaluation Board Schematic and Artwork.....	5
General Description.....	1	Ordering Information.....	6
ADTR1107-EVALZ Photographs.....	1	Bill of Materials.....	6
Operating the ADTR1107-EVALZ.....	3		

REVISION HISTORY

11/2022—Rev. 0 to Rev. A

Changed ADTR1107-EVAL to ADTR1107-EVALZ (Throughout)	1
Changes to Operating the ADTR1107-EVALZ Section.....	3
Changes to Figure 3.....	4
Changes to Figure 4 and Figure 5.....	5
Changes to Table 4.....	6

1/2020—Revision 0: Initial Version

OPERATING THE ADTR1107-EVALZ

A 5 V, 1 A power supply is required to provide the bias to the power amplifier in the transmit path. The 5 V power supply is connected through Pin 10 of the J6 header. Additionally, a 0 V to -2 V, 100 mA power supply is required to provide the required gate control voltage. The gate control voltage is supplied through Pin 6 of the J6 header.

A 3.3 V, 100 mA power supply is required to provide the bias to the low noise amplifier (LNA) in the receive path. The 3.3 V supply is connected to the VDD_LNA pin through Pin 6 of the J5 header. Optionally, the LNA can be operated at a reduced bias current. To accomplish this, apply a voltage between 0 V and -1.5 V to the VGG_LNA pin.

The dual ± 3.3 V, 100 mA supply is required to provide the bias to the switch. The 3.3 V supply connects to the VDD_SW pin through Pin 22 of the J5 header. The -3.3 V supply connects to the VSS_SW pin through Pin 18 of the J5 header.

Control the state of the switch by applying the proper logic level to Pin 20 of the J5 header, as defined in the [Table 1](#).

Use the biasing sequences described in the [Transmit State Power-Up](#) section, the [Transmit State Power-Down](#) section, the [Receive State Power-Up](#) section, and the [Receive State Power-Down](#) section when powering up and powering down. Refer to [Table 2](#) for the [ADTR1107](#) pin connections through the header connector.

Table 1. Switch Logic Truth Table

Control Input (V_{CTRL}) State	Signal Path State	
	TX_IN to ANT	ANT to RX_OUT
Low	On	Off
High	Off	On

RECOMMENDED BIAS SEQUENCES

Transmit State Power-Up

The recommended bias sequence during the transmit state power-up is as follows:

1. Connect all GND pins to ground.
2. Set the VDD_SW pin to 3.3 V.
3. Set the VSS_SW pin to -3.3 V.
4. Set the CTRL_SW pin to 0 V.
5. Set the VGG_LNA pin to 0 V.
6. Set the VDD_LNA pin to 0 V.
7. Set the VGG_PA pin to -1.75 V.
8. Set the VDD_PA pin to 5 V.
9. Increase the VGG_PA pin voltage to achieve the desired quiescent current (I_{DQ_PA}) of the power amplifier.
10. Apply the RF signal to the TX_IN pin.

Transmit State Power-Down

The recommended transmit state bias sequence during power-down is as follows:

1. Turn off the RF signal.
2. Decrease the VGG_PA pin voltage to -1.75 V.
3. Set the VDD_PA pin to 0 V.
4. Set the VSS_SW to 0 V.
5. Set the VDD_SW to 0 V.

Receive State Power-Up

The recommended bias sequence during the receive state power-up is as follows:

1. Connect all GND pins to ground.
2. Set the VDD_SW pin to 3.3 V.
3. Set the VSS_SW pin to -3.3 V.
4. Set the CTRL_SW pin to 3.3 V.
5. Set the VGG_PA pin to -1.75 V.
6. Set the VDD_PA pin to 0 V.
7. Set the VGG_LNA pin to 0 V.
8. Set the VDD_LNA pin to 3.3 V.
9. Apply the RF signal to the ANT pin.

Receive State Power-Down

The recommended receive state bias sequence during power-down is as follows:

1. Turn off the RF signal.
2. Set the VDD_PA pin to 0 V.
3. Set the VGG_PA pin to 0 V.
4. Set the CTRL_SW pin to 0 V.
5. Set the VSS_SW pin to 0 V.
6. Set the VDD_SW pin to 0 V.

Table 2. J5 and J6 Header Connections to the ADTR1107

Connector	Header	ADTR1107 Pin
J5	1 to 5, 7 to 9, 11 to 17, 19, 21, 23, 24	GND
	6	VDD_LNA
	10	VGG_LNA
	18	VSS_SW
	20	CTRL_SW
	22	VDD_SW
J6	1 to 5, 7 to 9, 11 to 24	GND
	6	VGG_PA
	10	VDD_PA

THROUGH PATH INSERTION LOSS

[Figure 3](#) shows the data plot in [Table 3](#) of the through calibration path (J7 to J8).

OPERATING THE ADTR1107-EVALZ

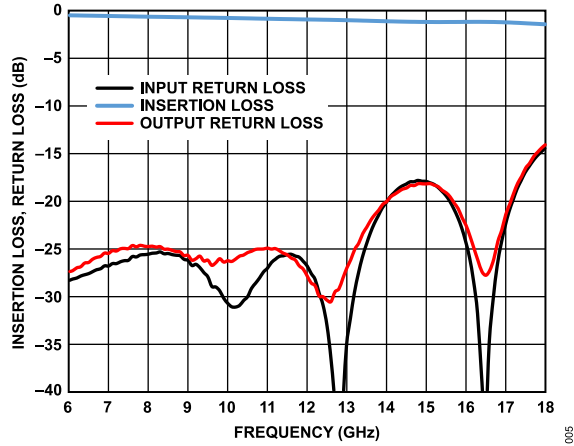


Figure 3. Insertion Loss and Return Loss (Input and Output) of the Through Calibration Path

Table 3. Insertion Loss and Input and Output Return Loss of the Through Calibration Path

Frequency (GHz)	Insertion Loss (dB)
6	-0.5
6.5	-0.5
8	-0.6
8.5	-0.7
10	-0.8
10.5	-0.8
12	-0.9
12.5	-0.9
14	-1.1
14.5	-1.1
16	-1.1
16.5	-1.2
18	-1.4

EVALUATION BOARD SCHEMATIC AND ARTWORK

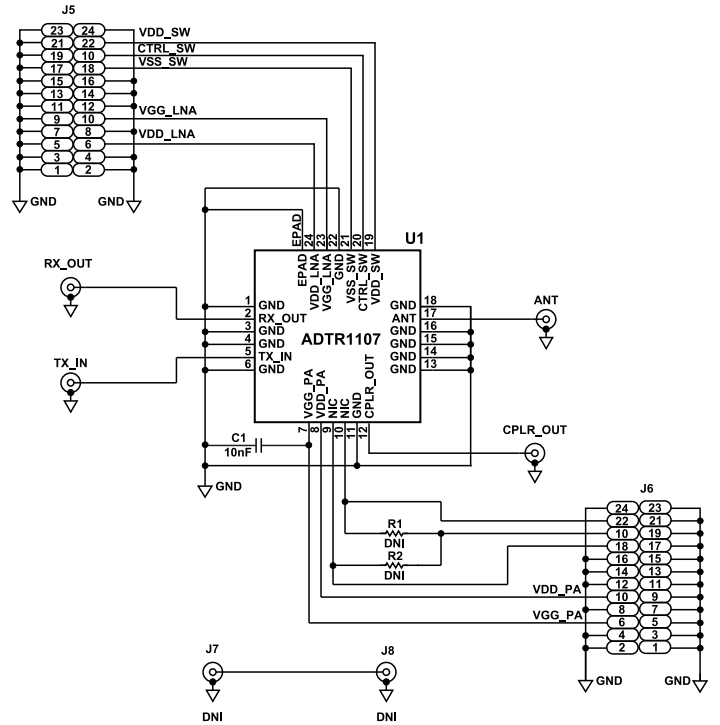


Figure 4. ADTR1107-EVALZ Evaluation Board Schematic

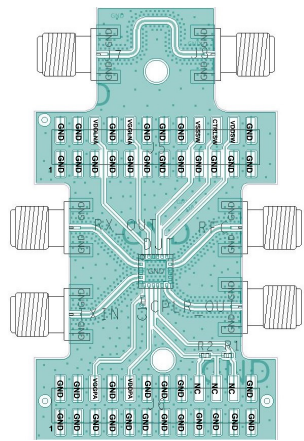


Figure 5. ADTR1107-EVALZ Assembly Drawing (J7, J8, R1, and R2 Not Installed)

ORDERING INFORMATION

BILL OF MATERIALS

Table 4.

Reference Designator	Description	Manufacturer	Part Number
C1	Capacitor, SMT, 0402, X7R, 25 V	TDK	CGA2B2X7R1E103K050BA
TX_IN, RX_OUT, ANT, CLPR_OUT	Connectors, Type K, jack edge	Winchester Connector	25-146-1000-92
J7, J8	Connectors, Type K, jack edge, do not install (DNI)	Winchester Connector	25-146-1000-92
J5 and J6	PCB connector headers, 24-position male headers, unshrouded double row, surface-mount (SMT), 2.54 mm pitch	Samtec, Inc.	TSM-112-01-L-DV
R1 and R2	Thick film resistor chip. DNI	Not applicable	Not applicable
U1	IC, transmit/receive module	Analog Devices, Inc.	ADTR1107ACCZ
Not Applicable	2.51 inch x 1.9 inch heat sink	Not applicable	Not applicable

**ESD Caution**

ESD (electrostatic discharge) sensitive device. Charged devices and circuit boards can discharge without detection. Although this product features patented or proprietary protection circuitry, damage may occur on devices subjected to high energy ESD. Therefore, proper ESD precautions should be taken to avoid performance degradation or loss of functionality.

Legal Terms and Conditions

By using the evaluation board discussed herein (together with any tools, components documentation or support materials, the "Evaluation Board"), you are agreeing to be bound by the terms and conditions set forth below ("Agreement") unless you have purchased the Evaluation Board, in which case the Analog Devices Standard Terms and Conditions of Sale shall govern. Do not use the Evaluation Board until you have read and agreed to the Agreement. Your use of the Evaluation Board shall signify your acceptance of the Agreement. This Agreement is made by and between you ("Customer") and Analog Devices, Inc. ("ADI"), with its principal place of business at Subject to the terms and conditions of the Agreement, ADI hereby grants to Customer a free, limited, personal, temporary, non-exclusive, non-sublicensable, non-transferable license to use the Evaluation Board FOR EVALUATION PURPOSES ONLY. Customer understands and agrees that the Evaluation Board is provided for the sole and exclusive purpose referenced above, and agrees not to use the Evaluation Board for any other purpose. Furthermore, the license granted is expressly made subject to the following additional limitations: Customer shall not (i) rent, lease, display, sell, transfer, assign, sublicense, or distribute the Evaluation Board; and (ii) permit any Third Party to access the Evaluation Board. As used herein, the term "Third Party" includes any entity other than ADI, Customer, their employees, affiliates and in-house consultants. The Evaluation Board is NOT sold to Customer; all rights not expressly granted herein, including ownership of the Evaluation Board, are reserved by ADI. CONFIDENTIALITY. This Agreement and the Evaluation Board shall all be considered the confidential and proprietary information of ADI. Customer may not disclose or transfer any portion of the Evaluation Board to any other party for any reason. Upon discontinuation of use of the Evaluation Board or termination of this Agreement, Customer agrees to promptly return the Evaluation Board to ADI. ADDITIONAL RESTRICTIONS. Customer may not disassemble, decompile or reverse engineer chips on the Evaluation Board. Customer shall inform ADI of any occurred damages or any modifications or alterations it makes to the Evaluation Board, including but not limited to soldering or any other activity that affects the material content of the Evaluation Board. Modifications to the Evaluation Board must comply with applicable law, including but not limited to the RoHS Directive. TERMINATION. ADI may terminate this Agreement at any time upon giving written notice to Customer. Customer agrees to return to ADI the Evaluation Board at that time. LIMITATION OF LIABILITY. THE EVALUATION BOARD PROVIDED HEREUNDER IS PROVIDED "AS IS" AND ADI MAKES NO WARRANTIES OR REPRESENTATIONS OF ANY KIND WITH RESPECT TO IT. ADI SPECIFICALLY DISCLAIMS ANY REPRESENTATIONS, ENDORSEMENTS, GUARANTEES, OR WARRANTIES, EXPRESS OR IMPLIED, RELATED TO THE EVALUATION BOARD INCLUDING, BUT NOT LIMITED TO, THE IMPLIED WARRANTY OF MERCHANTABILITY, TITLE, FITNESS FOR A PARTICULAR PURPOSE OR NON-INFRINGEMENT OF INTELLECTUAL PROPERTY RIGHTS. IN NO EVENT WILL ADI AND ITS LICENSORS BE LIABLE FOR ANY INCIDENTAL, SPECIAL, INDIRECT, OR CONSEQUENTIAL DAMAGES RESULTING FROM CUSTOMER'S POSSESSION OR USE OF THE EVALUATION BOARD, INCLUDING BUT NOT LIMITED TO LOST PROFITS, DELAY COSTS, LABOR COSTS OR LOSS OF GOODWILL. ADI'S TOTAL LIABILITY FROM ANY AND ALL CAUSES SHALL BE LIMITED TO THE AMOUNT OF ONE HUNDRED US DOLLARS (\$100.00). EXPORT. Customer agrees that it will not directly or indirectly export the Evaluation Board to another country, and that it will comply with all applicable United States federal laws and regulations relating to exports. GOVERNING LAW. This Agreement shall be governed by and construed in accordance with the substantive laws of the Commonwealth of Massachusetts (excluding conflict of law rules). Any legal action regarding this Agreement will be heard in the state or federal courts having jurisdiction in Suffolk County, Massachusetts, and Customer hereby submits to the personal jurisdiction and venue of such courts. The United Nations Convention on Contracts for the International Sale of Goods shall not apply to this Agreement and is expressly disclaimed.

