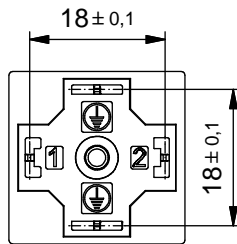
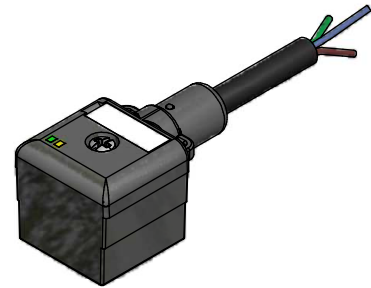


Technical specification :

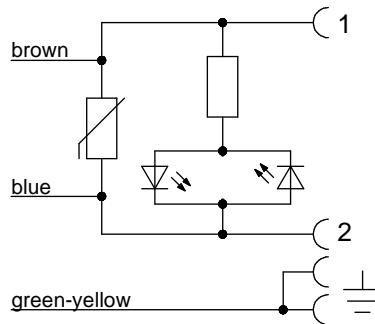
Rated voltage: 24 V AC / DC
 Current rating: 4 A at 40°C
 IEC 60512-5-2 5b
 Pollution degree: 3/2
 IEC 60664-1
 Degree of protection: IP 67, in mated condition
 IEC 60529
 Temperature range: -25°C ... +80°C
 IEC 60664-1
 Mating cycles: >50
 DIN EN 175301-803

Materials:

Contact: CuZn
 Contact plating: Nickel, stannous plated
 Contact carrier: PA GF, UL 94
 Moulding body: TPU, UL 94, transparent

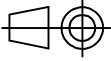



Contact assignment:



Part no:	Description:	Length L:	Cable:
55-00081	SAL - A - V2PEG - 0 - 124 - 2 / H2	2m	PUR/PVC, black, 3x0,5mm ² Cable: 781-H25300
55-00004	SAL - A - V2PEG - 0 - 124 - 3 / H2	3m	
55-00005	SAL - A - V2PEG - 0 - 124 - 5 / H2	5m	
55-00039	SAL - A - V2PEG - 0 - 124 - 10 / H2	10m	PVC, black, 3x0,5mm ² Cable: -
55-00082	SAL - A - V2PEG - 0 - 124 - 2 / A2	2m	
55-00083	SAL - A - V2PEG - 0 - 124 - 3 / A2	3m	
55-00048	SAL - A - V2PEG - 0 - 124 - 5 / A2	5m	TPU, UL 20549, black, 3x0,75mm ² Cable: 781-K17300
55-00084	SAL - A - V2PEG - 0 - 124 - 10 / A2	10m	
55-00093	SAL - A - V2PEG - 0 - 124 - 2 / K1 / 075	2m	
55-00043	SAL - A - V2PEG - 0 - 124 - 3 / K1 / 075	3m	PVC, UL 2464, grey, 3x0,75mm ² Cable: 781-A37300
55-00094	SAL - A - V2PEG - 0 - 124 - 5 / K1 / 075	5m	
55-00044	SAL - A - V2PEG - 0 - 124 - 10 / K1 / 075	10m	
55-00095	SAL - A - V2PEG - 0 - 124 - 2 / A3 / 075	2m	PVC, UL 2464, grey, 3x0,75mm ² Cable: 781-A37300
55-00096	SAL - A - V2PEG - 0 - 124 - 3 / A3 / 075	3m	
55-00097	SAL - A - V2PEG - 0 - 124 - 5 / A3 / 075	5m	
55-00098	SAL - A - V2PEG - 0 - 124 - 10 / A3 / 075	10m	

D see data sheet cable

DO NOT ALTER CAD DRAWING BY HAND	Directive 2002/95/EC RoHS compliant	Index: a 02.02.11 VF Ä3731 contact assignment modified, dimension cable diameter removed, part no. cable in table added	 dim. in mm	title: Valve plug type A, ground jumpered, with protective circuit									
					<table border="1"> <tr> <td></td> <td>date</td> <td>name</td> </tr> <tr> <td>drawn</td> <td>03.06.08</td> <td>Franz</td> </tr> <tr> <td>appd.</td> <td>16.06.08</td> <td>Schmidt</td> </tr> </table>		date	name	drawn	03.06.08	Franz	appd.	16.06.08
			date		name								
		drawn	03.06.08		Franz								
appd.	16.06.08	Schmidt											
THIS DRAWING MAY NOT BE COPIED OR REPRODUCED IN ANY WAY, AND MAY NOT BE PASSED ON TO A THIRD PARTY WITHOUT WRITTEN PERMISSION. OWNERSHIP AND COPYRIGHT OF CONEC GmbH			dwg no: 55K1A003										
			part no: see table										