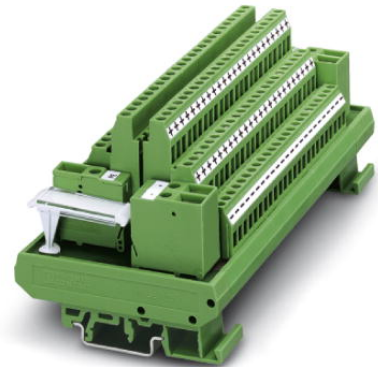


UMK- PVB


Order No.: 2971302



<http://eshop.phoenixcontact.de/phoenix/treeViewClick.do?UID=2971302>

VARIOFACE module, with three equipotential busbars (+, -, PE) for potential distribution, for mounting on NS 35/7.5 or NS 32



Commercial data	
GTIN (EAN)	
sales group	I110
Pack	1 pcs.
Customs tariff	85369010
Catalog page information	Page 297 (IF-2009)

Product notes

WEEE/RoHS-compliant since:
01/19/2007



<http://www.download.phoenixcontact.com>
Please note that the data given here has been taken from the online catalog. For comprehensive information and data, please refer to the user documentation. The General Terms and Conditions of Use apply to Internet downloads.

Technical data	
General data	
Nominal voltage U_N	250 V AC/DC
Potential connections	Per potential (Plus) 2 power/48 distributor terminal blocks Per potential (Minus) 2 power/24 distributor terminal blocks Per potential (PE) 2 power/72 distributor terminal blocks

Width	168.8 mm
Height	77 mm
Depth	72 mm
Ambient temperature (operation)	-20 °C ... 50 °C
Ambient temperature (storage/transport)	-20 °C ... 70 °C
Mounting position	Any
Standards/regulations	IEC 60664
	DIN EN 50178
	IEC 62103

Connection data, supply

Conductor cross section solid min.	0.5 mm ²
Conductor cross section solid max.	6 mm ²
Conductor cross section stranded min.	0.5 mm ²
Conductor cross section stranded max.	4 mm ²
Conductor cross section AWG/kcmil min.	20
Conductor cross section AWG/kcmil max	10
Type of connection	Screw connection
Screw thread	M3

Connection data, distribution

Conductor cross section solid min.	0.2 mm ²
Conductor cross section solid max.	4 mm ²
Conductor cross section stranded min.	0.2 mm ²
Conductor cross section stranded max.	2.5 mm ²
Conductor cross section AWG/kcmil min.	24
Conductor cross section AWG/kcmil max	12
Type of connection	Screw connection
Stripping length	8 mm
Screw thread	M3

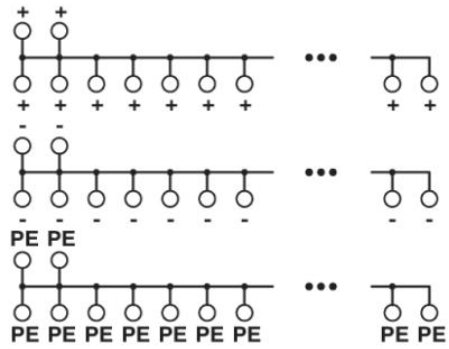
Certificates / Approvals

Certification

GOST

Diagrams/Drawings

Circuit diagram



UMK- PVB Order No.: 2971302

<http://eshop.phoenixcontact.de/phoenix/treeViewClick.do?UID=2971302>

Address

PHOENIX CONTACT Deutschland GmbH
Flachmarktstr. 8
32825 Blomberg, Germany
Phone +49 5235 3 12000
Fax +49 5235 3 41200
<http://www.phoenixcontact.de>



© 2011 Phoenix Contact
Technical modifications reserved;