

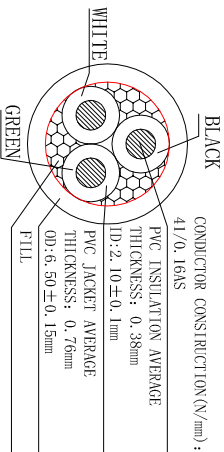
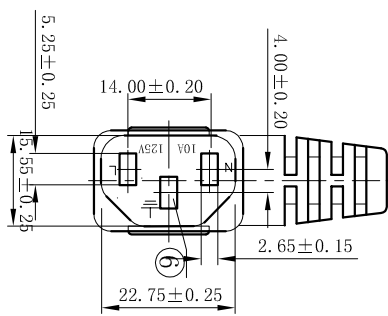
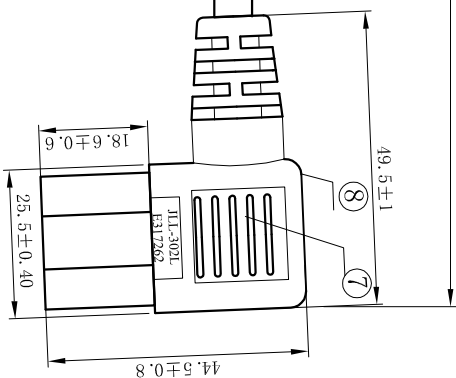
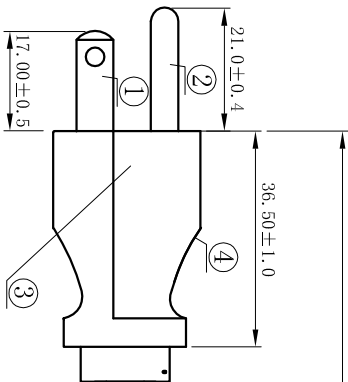
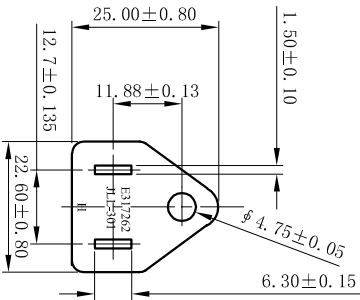
# CnC Tech, LLC

Industrial Cable and Connector Technology

Engineer  
drawing

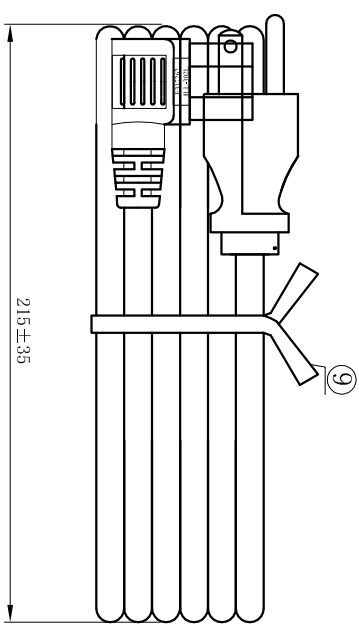
PART NO.	JLL-302L JLL-301 WIRE	SCALE	1 : 1
DESCRIPTION	SVT#18*3C 60C	UNIT:	mm
DWG No.	800-18-1-0-SVT0-BL-00200		

2010±50



NOTES:

- 1) JACKET COLOR: BLACK
  - 2). E-GREEN ; L-BLACK ; N-WHITE
- TESTING:
- 1) 100% OPEN & SHORT TESTING
  - 2) INSULATION RESISTANCE: 100M ohm (min)
  - 3) VOLTAGE: DC500V/1min
  - 4) ROHS COMPLIANT



NO.	SPECIFICATION	COLOUR	MATERIAL	AMOUNT
①	Load terminals 98861	Silver	Cu	2P
②	Grounding terminal 97475	Silver	Cu	1P
③	Model airtcraft 8661AN-3P	WHITE	PBT	1PCS
④	Plug JLL-301	BLACK	PVC Cu	1PCS
⑤	Wire SVT 18AWG/3C 60C	BLACK	PVC Cu	1PCS
⑥	Play home terminal 98740	Silver	Cu	3P
⑦	Model airtcraft 8745AND	WHITE	PBT	1PCS
⑧	Mother Play JLL-302L	BLACK	PVC Cu	1PCS
⑨	Ties	BLACK	BLACK	1PCS

Printing the contents of wire	The use of printing ink replenish Wire		
REV	DATE	DESCRIPTION	SYMBOL
DRAWED/DATE	CHECKED/DATE	GDNG/11.05.13	

E243711 (DU) SVT 3 X18AWG(0.82mm²) VH-1 60C 300V CSA 228191 SVT 3 X 18AWG(0.82mm²) FT2 60C 300V -1L-	CAI/10.05.10
--	--------------