

10BASE-T LAN MAGNETICS

Single Port Transformer Modules

LM00504

- Transformer turns ratio RX 1CT : 1CT and TX 1CT : 1.41CT
- Single-port modules available with and without common mode chokes
- Utilizes standard packaging
- Low profile, surface mount packaging rated to 225° C peak IR reflow temperature
- Operating temperature 0° to 70° C
- Minimum interwinding breakdown voltage of 1500 Vrms

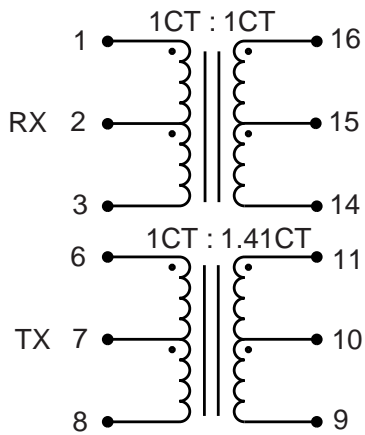
ELECTRICAL SPECIFICATIONS AT 25° C

Part Number	Insertion Loss dB max	OCL μH min	Return Loss dB min	Common to Common Mode Rejection dB min		Crosstalk dB min
	1MHz to 10MHz		1MHz to 10MHz	10MHz to 30MHz	30MHz to 100MHz	1MHz to 10MHz
Transformers Only						
A553-0716-00	-1.0	140	-18	---	---	-40
S553-0716-00	-1.0	140	-18	---	---	-40
Transformers and Common Mode Chokes						
S553-5999-08	-1.0	110	-15	-40	-30	-40
S553-5999-37	-1.0	200	-15	-40	-30	-40
S556-5999-26	-1.0	110	-15	-40	-30	-40

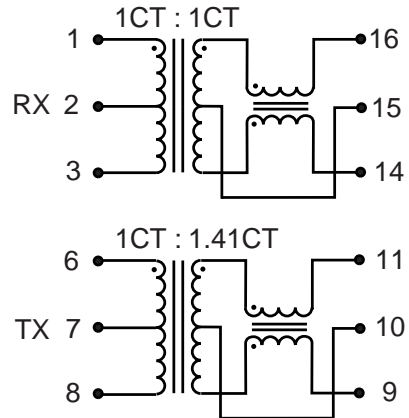
LM00504

SCHEMATICS

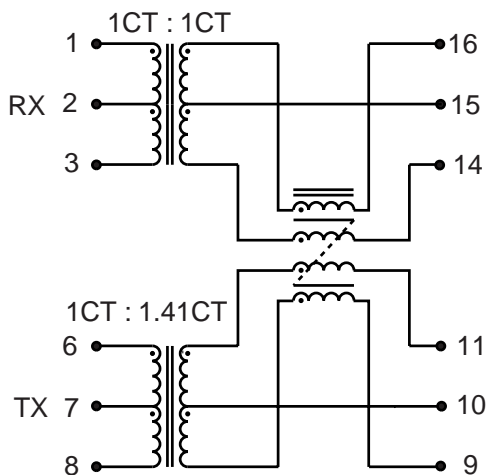
A553-0716-00
S553-0716-00



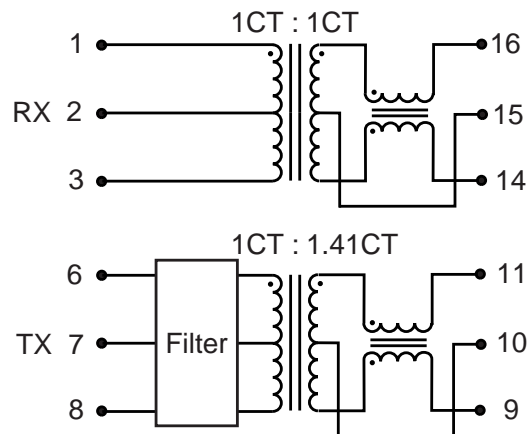
S553-5999-08



S553-5999-37



S556-5999-26



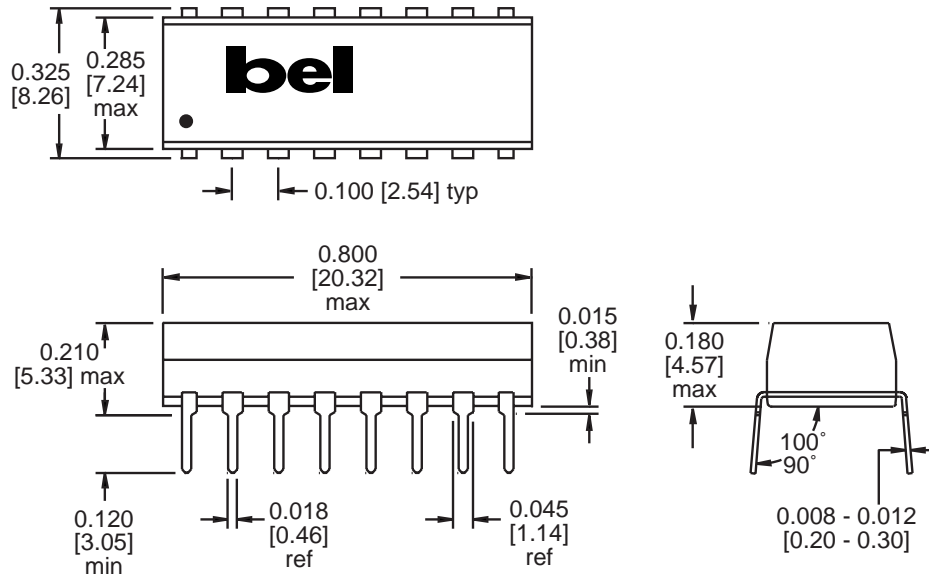
10BASE-T LAN MAGNETICS

Single Port Transformer Modules

LM00504

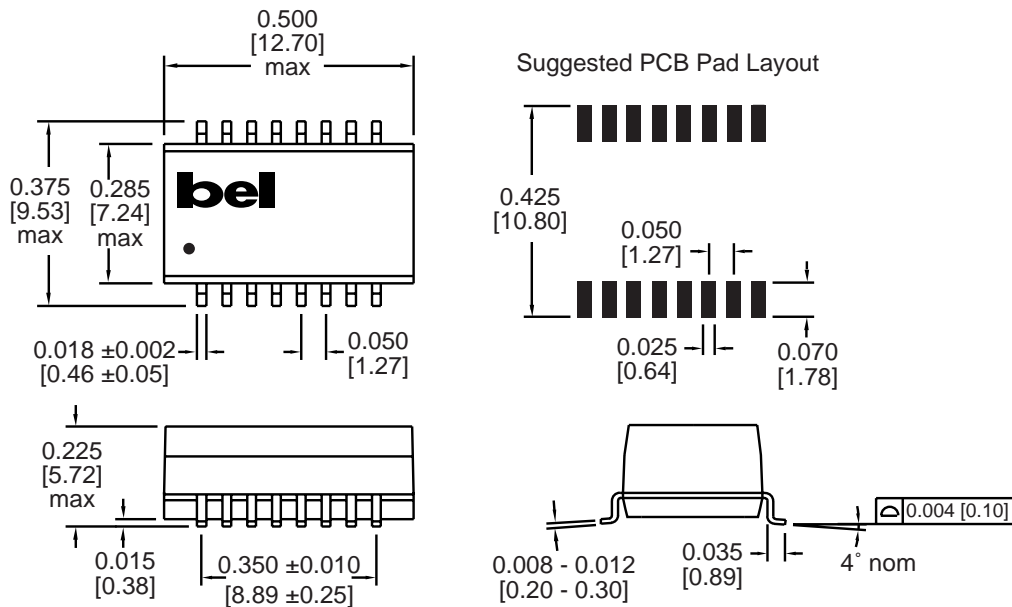
MECHANICALS

A553-0716-00



Dimensions are in inches [millimeters].
Standard dimension tolerance is ± 0.005 [0.13] unless otherwise noted.

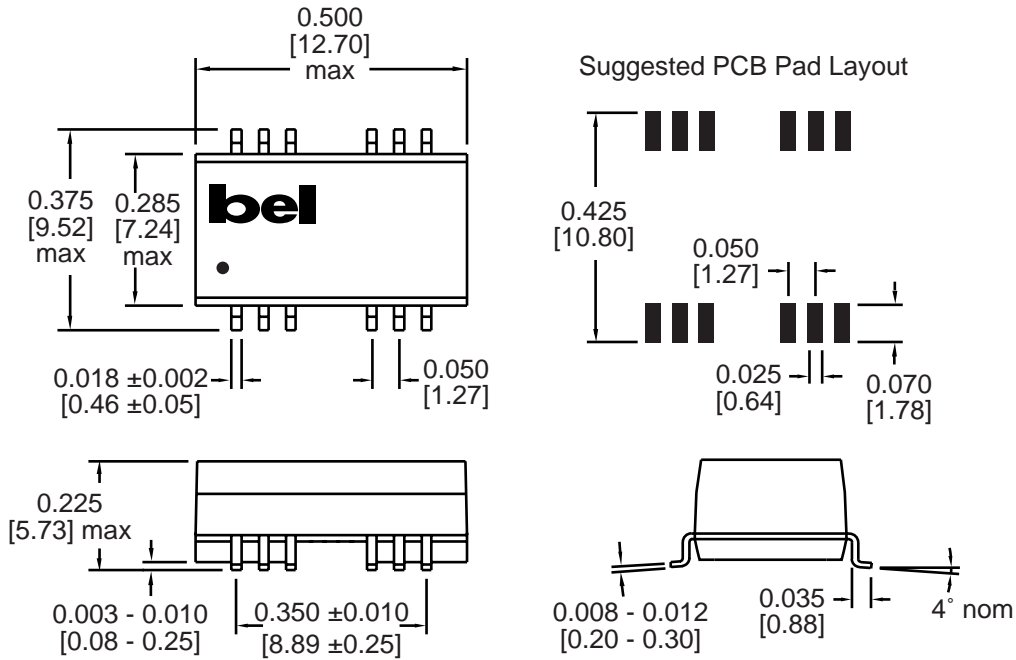
S553-0716-00
S553-5999-08
S553-5999-37



Dimensions are in inches [millimeters].
Standard dimension tolerance is ± 0.005 [0.13] unless otherwise noted.

MECHANICALS

S556-5999-26



Dimensions are in inches [millimeters].
Standard dimension tolerance is ± 0.005 [0.13] unless otherwise noted.

CORPORATE

Bel Fuse Inc.
206 Van Vorst Street
Jersey City, NJ 07302
Tel 201-432-0463
Fax 201-432-9542
www.belfuse.com

FAR EAST

Bel Fuse Ltd.
8F / 8 Luk Hop Street
San Po Kong
Kowloon, Hong Kong
Tel 852-2328-5515
Fax 852-2352-3706
www.belfuse.com

EUROPE

Bel Fuse Europe Ltd.
Preston Technology Management Centre
Marsh Lane, Suite G7, Preston
Lancashire, PR1 8UD, U.K.
Tel 44-1772-556601
Fax 44-1772-888366
www.belfuse.com