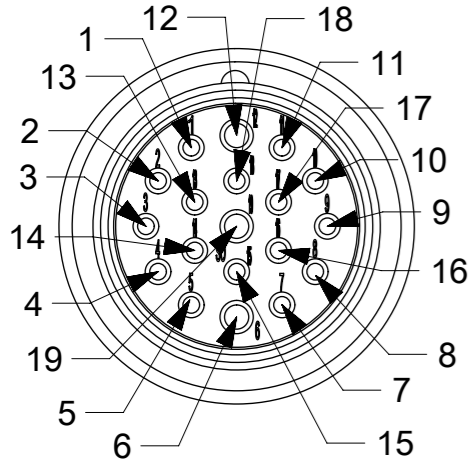


M23 19P FEMALE



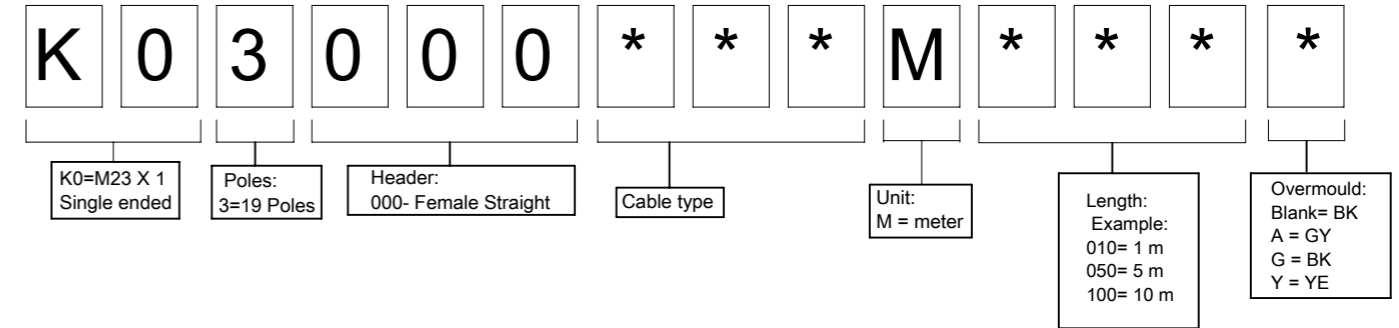
VIEW FROM FRONT SIDE

PIN	WIRE COLOR
1	VT
2	RD
3	GY
4	RD-BU
5	GN
6	BU
7	GY-PK
8	WH-GN
9	WH-YE
10	WH-GY
11	BK
12	GN-YE
13	YE-BN
14	BN-GN
15	WH
16	YE
17	PK
18	GY-BN
19	BN

TECHNICAL INFORMATION :

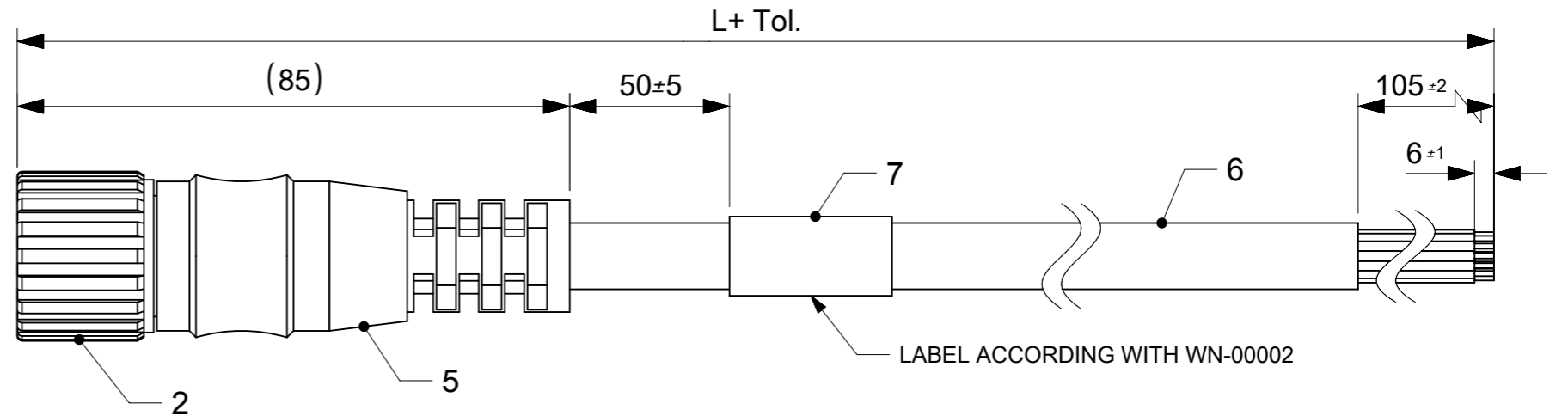
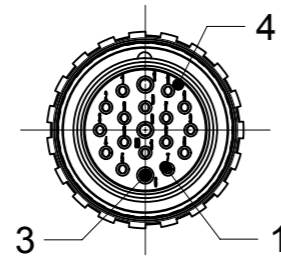
- NUMBER OF POSITIONS :6
- VOLTAGE : 63V AC/DV
- CURRENT : 6 A
- PROTECTION : IP67(CONNECTED)
- TEMPERATURE RANGE (FIXED) - -25° TO +90°

PART No MATRIX



CABLE TYPE :

CABLE TYPE	NO. OF WIRES	CROSS SECTION	CABLE JACKET	UL	CSA	STATIC: TEMP. / BENDING RADIUS	DYNAMIC: TEMP. / BENDING RADIUS	DRAG CHAIN	SHIELD
E80	19	0.34mm²/0.75mm²	PVC YELLOW	-	-	-25°C to +70°C, >10xO.D.	-5°C to +70°C, >15xO.D.	1 000 000 cycles, Velocity : 120m/min	NO
P80	19	0.34mm²/0.75mm²	PUR BLACK	-	-	-40°C to +90°C, >7.5xO.D.	-15°C to +90°C, >12.5xO.D.	1 500 000 cycles, Velocity : 120m/min	NO
I81	19	0.34mm²/0.75mm²	PVC GREY	-	-	-25°C to +70°C, >10xO.D.	-5°C to +70°C, >15xO.D.	1 000 000 cycles, Velocity : 120m/min	YES



ITEM	QTY.	DESCRIPTION	MATERIAL	FINISH
1	16	CONTACT FEMALE	CuSn6	GOLD OVER NICKEL PLATED
2	1	M23 FEMALE COUPLING NUT	BRASS	Ni- PLATED
3	3	FEMALE CONTACT (HARD SHELL)	BRASS	SELECTIVE Au OVER Ni
4	1	19P-INSERT/SHELL ASSEMBLY	-	-
5	-	MOULDING MATERIAL	SEE MATRIX	SEE MATRIX
6	-	CABLE	-	-
7	1	LABEL	VINYL	YELLOW

OVER	UP TO AND INCLUDING	TOLERANCE (+)
0	305	+19
305	915	+45
915	1830	+56
1830	3660	+89
3660	7320	+165
7320	14640	+317
14640	30500	+610
30500	>	+2% OF LENGTH

THIS DRAWING CONTAINS INFORMATION THAT IS PROPRIETARY TO MOLEX ELECTRONIC TECHNOLOGIES, LLC AND SHOULD NOT BE USED WITHOUT WRITTEN PERMISSION

SYMBOLS: $\nabla = 0$ DIMENSION UNITS: mm SCALE: 1:1

GENERAL TOLERANCES (UNLESS SPECIFIED): ANGULAR TOL ± °

CURRENT REV DESC: EC NO: 606186, DRWN: MMATLA 2018/10/10, CHK'D: DSTACHOWIAK 2018/10/22, APPR: DSTACHOWIAK 2018/10/22

INITIAL REVISION: DRWN: MMATLA 2018/10/10, APPR: DSTACHOWIAK 2018/10/22

DRAFT WHERE APPLICABLE MUST REMAIN WITHIN DIMENSIONS

THIRD ANGLE PROJECTION:

DRAWING: A3-SIZE, SERIES: 120094

MATERIAL NUMBER: SEE PART LIST, CUSTOMER: SEE PART LIST

molex

M23 19P FE ST XM PUR

PRODUCT CUSTOMER DRAWING

DOCUMENT NUMBER: 1200945003, DOC TYPE: PSD, DOC PART: 000, REVISION: A

SHEET NUMBER: 1 OF 2

PART LIST

MOLEX P/N	ENGINEERING NO	LENGTH(mm)
1200945025	K03000E80M010	1000
1200948044	K03000E80M100	10000
1200948110	K03000E80M080	8000
1200945003	K03000P80M100	10000
1200945026	K03000P80M050	5000
1200948017	K03000P80M150	15000
1200948018	K03000P80M200	20000
1200948019	K03000P80M250	25000
1200948020	K03000P80M300	30000
1200948122	K03000P80M020	2000
1200948118	K03000I81M150	15000

SYMBOLS	THIS DRAWING CONTAINS INFORMATION THAT IS PROPRIETARY TO MOLEX ELECTRONIC TECHNOLOGIES, LLC AND SHOULD NOT BE USED WITHOUT WRITTEN PERMISSION										
	DIMENSION UNITS		SCALE		CURRENT REV DESC:				molex		
	mm		1:1								
	GENERAL TOLERANCES (UNLESS SPECIFIED)		EC NO: 606186 DRWN: MMATLA 2018/10/10 CHK'D: DSTACHOWIAK 2018/10/22 APPR: DSTACHOWIAK 2018/10/22				M23 19P FE ST XM PUR				
	ANGULAR TOL ± °										
	4 PLACES ±		INITIAL REVISION:				PRODUCT CUSTOMER DRAWING				
	3 PLACES ±										
	2 PLACES ±		DRWN: MMATLA 2018/10/10 APPR: DSTACHOWIAK 2018/10/22				DOCUMENT NUMBER		DOC TYPE	DOC PART	REVISION
	1 PLACE ±						1200945003		PSD	000	A
	0 PLACES ±		DRAFT WHERE APPLICABLE MUST REMAIN WITHIN DIMENSIONS		THIRD ANGLE PROJECTION		DRAWING	SERIES	MATERIAL NUMBER	CUSTOMER	SHEET NUMBER
☒ = 0				A3-SIZE		120094	SEE PART LIST			2 OF 2	