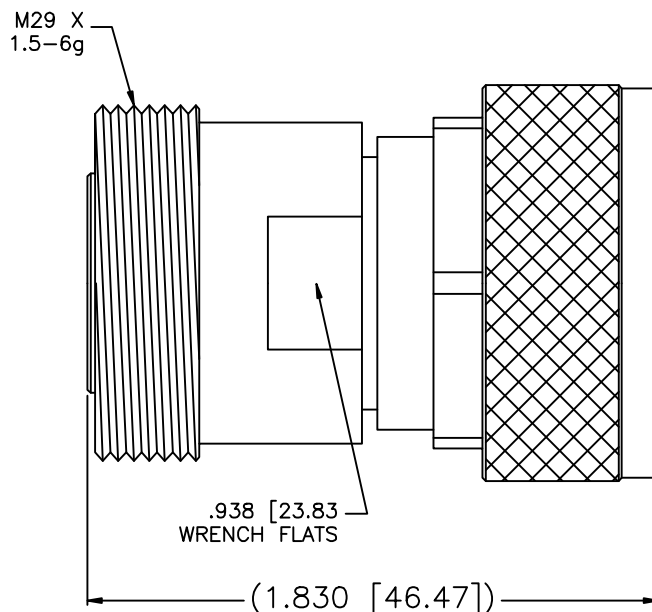


PART NO.

RFD-1660-WB

REV	DESCRIPTION	DWN	DATE	APPROVED
-	ENGINEERING RELEASE	CZS	01/12/12	JDMc

SPECIFICATIONS:

IMPEDANCE: 50 OHMS
 FREQUENCY RANGE: DC-7.5 GHz
 VSWR MAX: <1.10:1 @ DC-7.5 GHz
 INSERTION LOSS: -.01 dB √ FREQUENCY GHz
 3rd ORDER IM <-155 dBc

#	DESCRIPTION	QTY	MATERIAL	FINISH
9	SHELL	1	BRASS	WHITE BRONZE
8	O RING	1	S.I. RUBBER	---
7	GROUND RING	1	BRASS	WHITE BRONZE
6	GROUND RING	1	BRASS	WHITE BRONZE
5	INSULATOR	2	PTFE	---
4	PIN	1	BRASS	WHITE BRONZE
3	CONTACT SHAFT	1	BRASS	WHITE BRONZE
2	CONTACT	1	BeCu	WHITE BRONZE
1	BODY	1	BRASS	WHITE BRONZE

CUSTOMER
OUTLINE DRAWINGALL DIMENSIONS
ARE REFERENCE ONLYUNLESS OTHERWISE SPECIFIED:
DIMENSIONS ARE IN INCHES
AND [MILLIMETERS]DRAWN
C. ZUNIGA 01/12/12
CHECKEDORJ DRAWN
C. ZUNIGA 02/27/97

PROPRIETARY AND CONFIDENTIAL
 THIS DRAWING CONTAINS
 INFORMATION PROPRIETARY TO
 RF INDUSTRIES. ANY
 UNAUTHORIZED USE OF THIS
 DRAWING IS EXPRESSLY
 PROHIBITED WITHOUT WRITTEN
 PERMISSION FROM RF
 INDUSTRIES. ANY VIOLATION IS
 PUNISHABLE UNDER U.S.
 COPYRIGHT LAWS.

RFconnectors
 DIVISION OF RF INDUSTRIES, LTD.

7610 MIRAMAR RD.
 SAN DIEGO, CA 92126
 (858) 549-6340
 (858) 549-6345 FAX

**7-16 DIN JACK TO
 7-16 DIN PLUG**

SIZE	CABLE GROUP	DWG NO.	REV
A	N/A	RFD-1660-WB	---
SCALE: NTS	ENGINEERING ID: 000000	SHEET 1 OF 1	