

NOTES:

- MATERIALS AND FINISHES:
 REAR BODY, FRONT BODY, CLAMP NUT, SLEEVE, WASHER
 COUPLING NUT, OUTER CONTACT & CAP -BRASS, NICKEL PLATING
 CONTACT - BRASS, SILVER PLATING
 RETAINING RING - BRASS
 INSULATOR - PTFE, NATURAL
 GASKETS - SILICONE RUBBER, RED

- ELECTRICAL:
 A. IMPEDANCE: 50 OHM

- MECHANICAL:
 A. DURABILITY: 500 CYCLES MIN.
 B. TEMPERATURE RANGE: -65° C TO +165° C

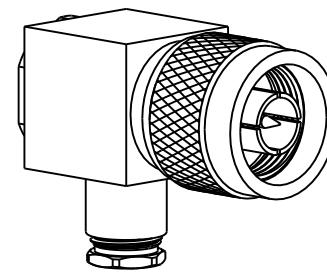
- PACKAGING:
 A. QUANTITY: SINGLE PACK
 B. MARKING: BAG TO BE MARKED
 "AMPHENOL RF, 000-18750, AND DATE CODE"

- CABLE ASSEMBLY INSTRUCTIONS:
 A. STRIP CABLE AS SHOWN.
 B. SLIDE CLAMP NUT, WASHER, GASKET & SLEEVE OVER CABLE SHEATH.
 C. COMB OUT THE BRAID AND FOLD OUT, TRIM EXCESS BRAID.
 D. SOLDER CABLE CENTER CONDUCTOR TO CENTER CONTACT.
 E. SLIDE SUB-ASSEMBLY TO THE REAR SIDE OF THE BODY AND TIGHTEN WITH
 PROPER SPANNER. MAKE ENSURE INTERFACE DIMENSIONS TO MEET.

- CAP ASSEMBLY INSTRUCTIONS:
 A. PLACE GASKET ON CAP AS SHOWN
 B. ASSEMBLE CAP TO BODY WITH 6-10 IN-LBS TORQUE.

- * SHOWS CABLE ENTRY DIMENSIONS.

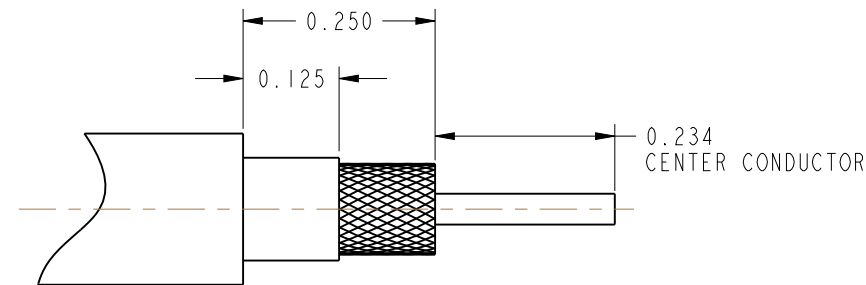
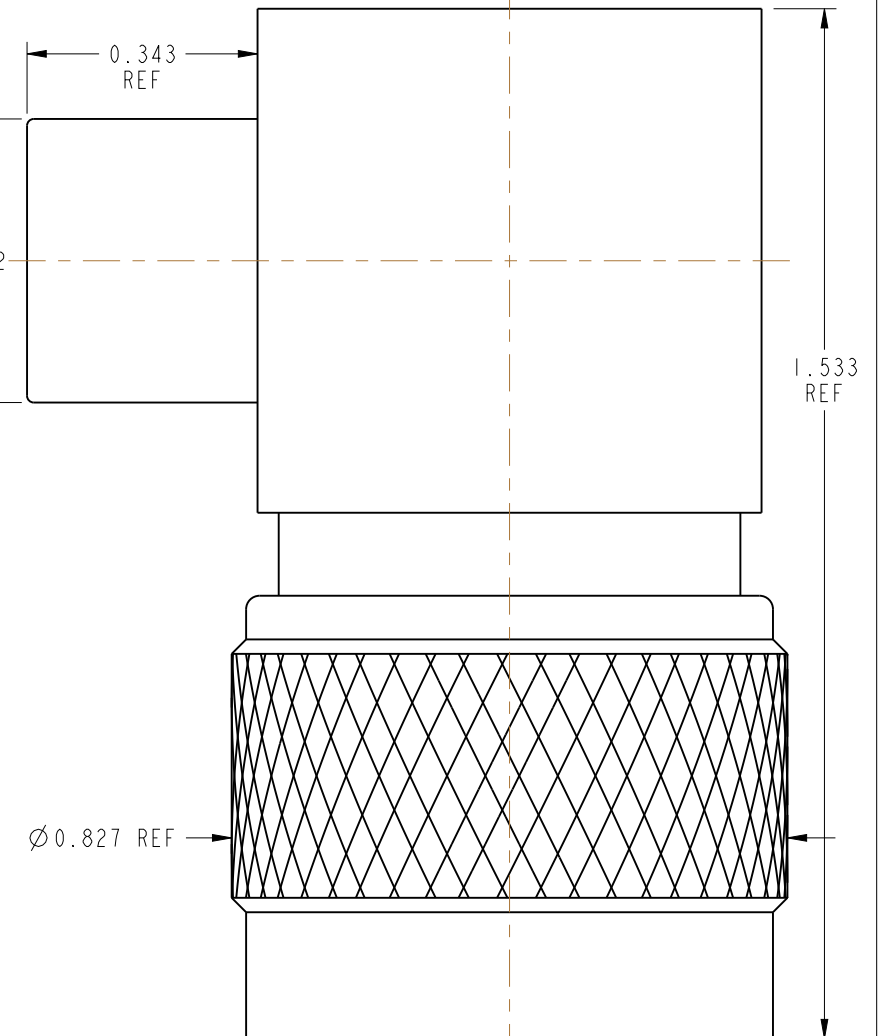
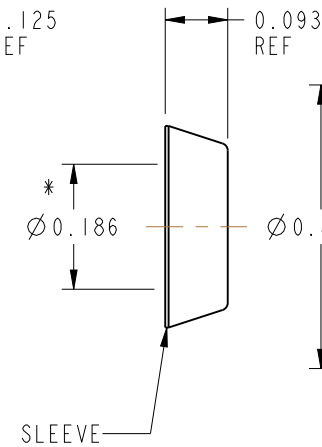
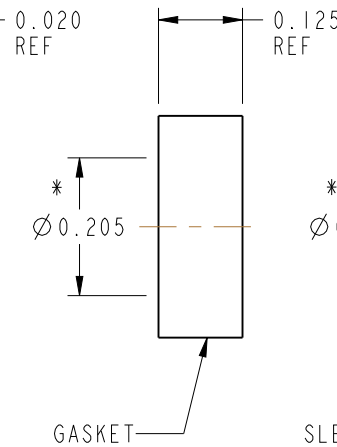
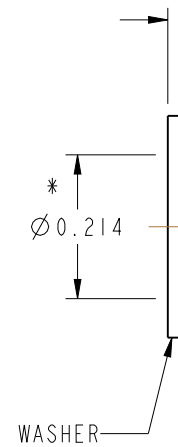
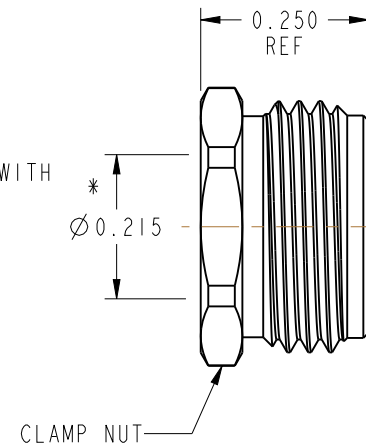
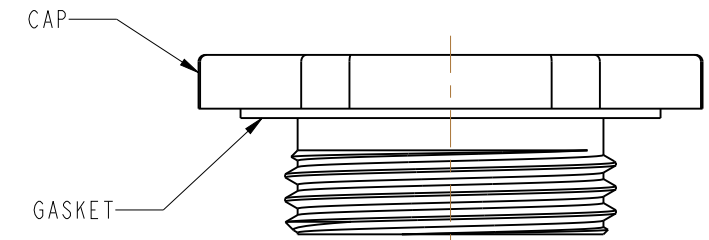
THIRD ANGLE PROJ.



SCALE 1.000

REVISIONS

REV	DESCRIPTION	DATE	ECO	APPR
--	RELEASE TO MFG	--	--	--
Y	REDRAWN IN PRO-E & COD ADDED	1/21/14	49831	RAK



RECOMMENDED CABLE STRIPPING DIMENSIONS

INTERFACE PER MIL-STD-348 SERIES:N PLUG

CUSTOMER OUTLINE DRAWING
 ALL OTHER SHEETS ARE FOR INTERNAL USE ONLY

UNLESS OTHERWISE SPECIFIED, DIMENSIONS ARE IN INCHES AND TOLERANCES ARE: 2 PLACE DECIMAL 3 PLACE DECIMAL ANGLES ±.015 (0,381 mm) ±.005 (0,127 mm) ± 1°	MATERIAL	DRAWN	DATE	TITLE TYPE N R/A PLUG FOR RG-58/U CABLE		Amphenol RF www.amphenolrf.com	
	SEE NOTES	ABHAYA KISHORE	17-Dec-13				
NOTICE - These drawings, specifications, or other data (1) are, and remain the property of Amphenol corp. (2) must be returned upon request; and (3) are confidential and not to be disclosed to any person other than those to whom they are given by Amphenol Corp. the furnishing of these drawings, specifications, or other data by Amphenol Corp., or to any other person to anyone for any purpose is not to be regarded by implication or otherwise in any manner licensing, granting rights to permitting such holder or any other person to manufacture, use or sell any product, process or design, patented or otherwise, that may in any way be related to or disclosed by said drawings, specifications, or other data.	REFERENCE	ENGINEER	DATE	SCALE: 3.5:1.0 SHEET 2 OF 2		DRAWING NO.18750	
	CONFIGURATION LEVEL: In Work	K. CAPOZZI	12/17/13			REV Y	
	FINISH	APPROVED	DATE	DWG SIZE B		PART NO.18750	
		K. CAPOZZI	1/21/14				