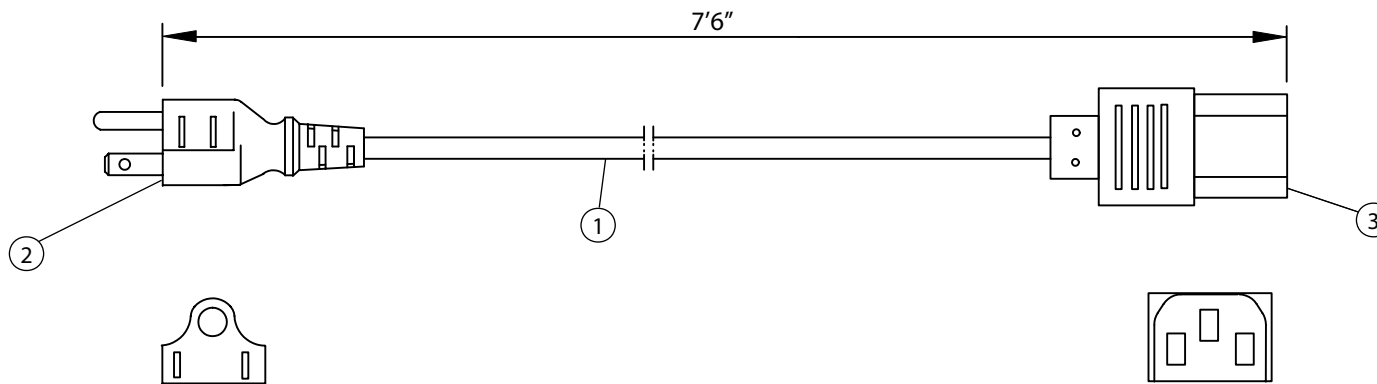


THESE DRAWINGS ARE THE PROPERTY OF QUALTEK ELECTRONICS AND NOT TO BE REPRODUCED FOR OR COMMUNICATED TO A THIRD PARTY WITHOUT THE EXPRESS WRITTEN PERMISSION OF AN OFFICER OF QUALTEK ELECTRONICS.

REVISION			
REV.	DESCRIPTION	DATE	APPROVED
B	RoHS Compliancy	06-01-06	D.P.



CONTROLLED

NOTES:

1. CORDAGE: SJT, 18AWG / 3C, UNSHIELDED, CEE COLOR CODE, TEMP. RATING 60°C, RATING 125V 10A, JACKET COLOR BLACK
2. PLUG: NEMA 5-15P
3. CONNECTOR: IEC 60320 C13
4. APPROVALS: UL, cUL
5. ROHS COMPLIANT

Dim range (mm)		Tolerance +/- (mm)		Qualtek Electronics Corp. PPC DIVISION		
0-1	1-6	0.15	0.20	Part Number: 312008-01 RoHS Compliant		
6-18	18-50	0.30	0.50	Description: POWER CORD		
50-120	120-250	0.70	0.90	UNIT: in	Rev. B	
250-500		1.20		Drawn / Date	Checked / Date	Approved / Date
				S.Tsai 10-28-01	10-28-01	JJH / 10-28-01