

REVISION C
REVISED AND
REDRAWN ON
CAD/CAM
12/19/91 HA

REVISION D
TEMECULA
-WAS-
CARSON
ADDED SAFETY
REFORMATTED
5/3/95 TS

REVISION E
NEW
FORMAT
6/30/98 TS

HIGH PERFORMANCE LOW PROFILE TELECOMMUNICATION COUPLING TRANSFORMER

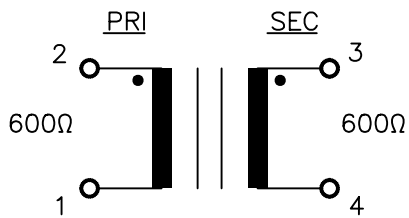
A. Electrical Specifications (@ 25 ° C)

1. Pri Source Impedance; 600Ω
2. Sec Load Impedance; 600Ω
3. Pri DC Unbalance Current; 90mA (1-2)
4. Operating Level; -45dBm to +10dBm
5. Insertion Loss;
 - 1.7dB MAX @ 1.8KHz 0dBm and DC90mA
6. Frequency Response (relative to 1.8KHz)
 - +0.2dB, -1.0dB @ 500 to 3,500Hz 0dBm and DC90mA
 - +0.2dB, -2.0dB @ 300 to 3,500Hz 0dBm and DC90mA
7. Pri Impedance; 600Ω ±20% @ 500 to 1,800Hz 0dBm and DC90mA
8. Pri Return Loss; 14dB MIN @ 1.8KHz 0dBm and DC90mA
9. Longitudinal Balance; 60dB MIN @ 200 to 4,000Hz
10. Total Harmonic Distortion; 0.5% MAX @ 300 to 3,500Hz 0dBm and DC90mA
11. DC Resistance;
 - (1-2) = 75Ω ±10%
 - (3-4) = 100Ω ±10%
12. Turns Ratio; (1-2) : (4-3) = 1 : 1.04 ±2%
13. Dielectric Strength;
 - 1500Vrms 60Hz 1 minute @ Pri to Sec, Pri to Core
 - 1500Vrms 60Hz 1 minute @ Sec to Core

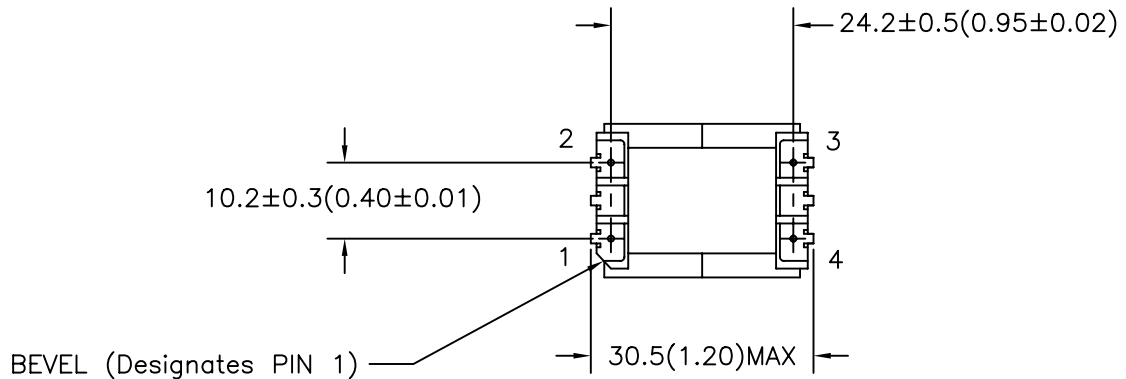
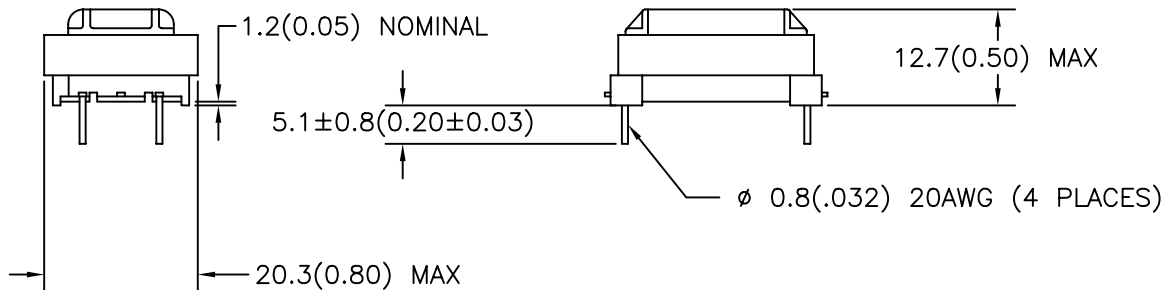
B. Marking; TTC-143, TAMURA, date code, country of origin and safety approval logos

C. Safety; CSA C22.2 No. 66-M1988 File No. LR81383
UL 1863 File No. E142035

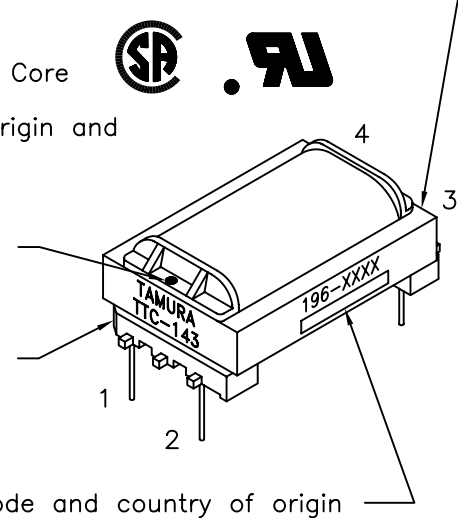
D. Schematic Diagram



E. Mechanical Specifications



SAFETY APPROVAL LOGOS



MODEL NUMBER
TTC-143

PREPARED BY:

J. Peterson

ENGINEER:

T. Shiozawa

QUALITY CONTROL:

D. Kelley

APPROVED:

D. Kelley

DWG CONTROL NO.
P-A1-10034
ACAD\TTC\A1100341.DWG

REV
E

TELECOMMUNICATIONS COUPLING
TRANSFORMER

TAMURA CORPORATION OF AMERICA
43352 BUSINESS PARK DRIVE, TEMECULA, CA. 92590-6624
(909) 699-1270 FAX 9096769482

TTC-143

MODEL SPECIFICATION

DIM: mm(in) SCL: 1/1 SH: 1 OF 1

PROPRIETARY NOTICE: THIS DRAWING PRINT OR DOCUMENT AND SUBJECT MATTER DISCLOSED HEREIN ARE PROPRIETARY ITEMS TO WHICH TAMURA RETAINS THE EXCLUSIVE RIGHT OF DISSEMINATION, REPRODUCTION, MANUFACTURE AND SALE. THIS DRAWING, PRINT OR DOCUMENT IS SUBMITTED IN CONFIDENCE FOR CONSIDERATION BY THE RECIPIENT ALONE UNLESS PERMISSION FOR FURTHER DISCLOSURE IS EXPRESSLY GRANTED IN WRITING.