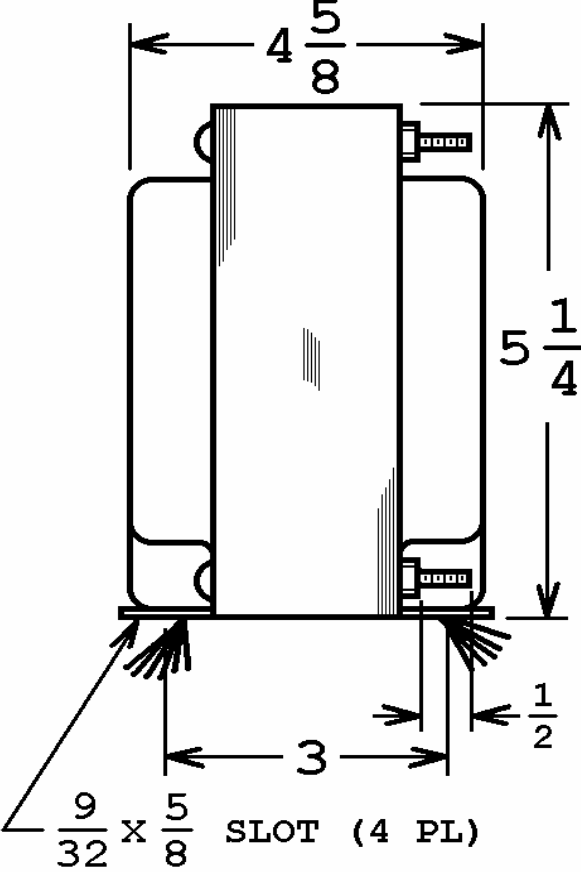
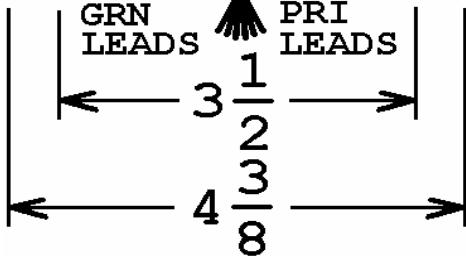


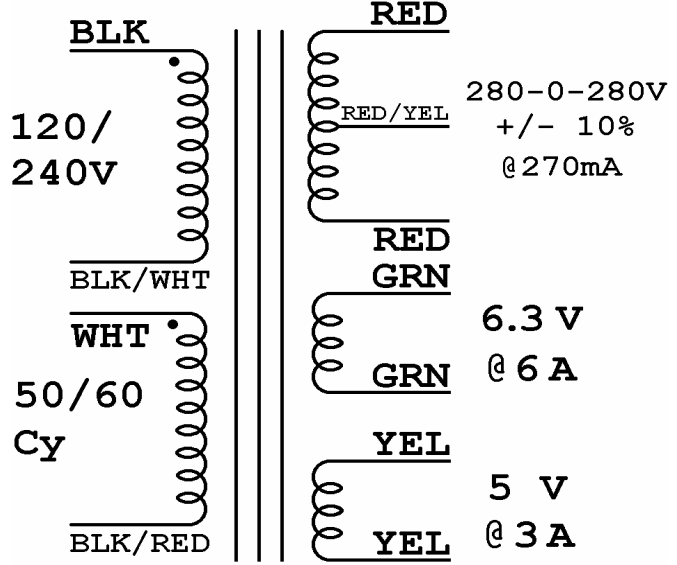
40-18050

This drawing is the property of Magnetic Components, Inc. and shall not be reproduced, in whole or in part, without the written permission of Magnetic Components, Inc.

REVISIONS			
LTR	DESCRIPTION	DATE	APPROVED
A	ADD PRIMARY 120V/240V CONNECTIONS	04/05/11	M. Sacketti
B	RED-RED WAS 560V CT	06/20/12	M. Sacketti



(SEE NOTE)



**120V:** INPUT TO BLK AND BLK/WHT (CONNECT BLK TO WHT AND BLK/WHT TO BLK/RED)  
**240V:** INPUT TO BLK AND BLK/RED (CONNECT BLK/WHT TO WHT)

**NOTE:** RIGHT SIDE END BELL IS REMOVABLE FOR LAY-DOWN STYLE MOUNTING WITH #8-32 SCREWS ON 3.5 X 4.375 MOUNTING CENTERS.

UNLESS OTHERWISE SPECIFIED		SIGNATURES		DATE		MAGNETIC COMPONENTS, INC.		DIV :		
ALL DIMENSIONS IN INCHES DO NOT SCALE DRAWING		DRAWN : <i>M. Sacketti</i>		29 OCT 10		TITLE		LOC : SCHILLER PK		
FRACTIONS +/-		CHECK :				VOX AC30 POWER TRANSFORMER				
.X = +/-		APPR : <i>M. Sacketti</i>		29 OCT 10		CAGE	50508	SIZE	PART No.	REV
.XX = +/-						SCALE	NONE	<b>A</b>	<b>40-18050</b>	<b>B</b>
.XXX = +/-								SHEET :		
ANGLES = +/-										