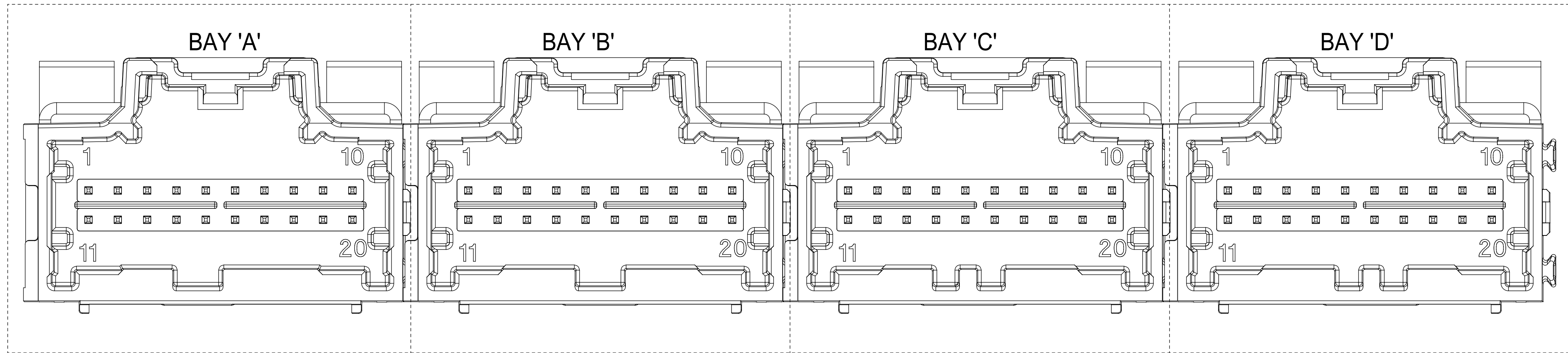


DIMENSIONAL CHART FOR MULTIBAY CONFIGURATION:

PART NUMBER (TUBE PKG)	PART NUMBER (TRAY PKG)	BAY A			BAY B			BAY C			BAY D			DIM 'A'	DIM 'B'	DIM 'C'	DIM 'D'	DIM 'E'	DIM 'F'
		CKT	TYPE	POL	CKT	TYPE	POL	CKT	TYPE	POL	CKT	TYPE	POL						
34707-9000	34707-4000	20	0.64mm	A	20	0.64mm	B	20	0.64mm	C	20	0.64mm	D	132.74	130.27	27.94	27.94	27.94	27.94
TBD	34707-4010	12	0.64mm	A	20	0.64mm	A	8	0.64mm	A	16	0.64mm	A	102.26	99.79	17.78	27.94	12.70	22.86
TBD	34707-4020	20	0.64mm	D	20	0.64mm	C	20	0.64mm	B	20	0.64mm	A	132.74	130.27	27.94	27.94	27.94	27.94

4 BAY STAC64 VERTICAL HEADER ASSEMBLY  
(P/N: 34707-4000 SHOWN)



NOTES: VALID UNLESS OTHERWISE SPECIFIED  
1. GENERAL:

a. CONNECTOR HEADER MUST BE VALIDATED TO THE FOLLOWING FUNCTIONAL REQUIREMENTS:

PRODUCT SPECIFICATION:  
8-20 CKT 0.64mm PRODUCT SPEC: PS-34729-020/PS-31408-100  
10/14 CKT HYBRID PRODUCT SPEC: PS-31372-100

b. APPLICATION REQUIREMENTS (REFERENCE ONLY):

APPLICATION SPECIFICATION: AS-34729-020/AS-31408-100

c. PACKAGING SPECIFICATION PER MOLEX DRAWING PK-31300-892 (TRAY)  
d. PACKAGING SPECIFICATION PER MOLEX DRAWING PK-31301-063 (TUBE)

2. DESIGN: MATERIALS:

a. SHROUD (PLASTIC HOUSING):  
RESIN - SPS 30%GF

b. 0.64mm PINS:  
BASE MATERIAL: C26000  
PLATING TYPE: AS NOTED

1.50/2.80mm BLADES:  
BASE MATERIAL: C19400  
PLATING TYPE: AS NOTED

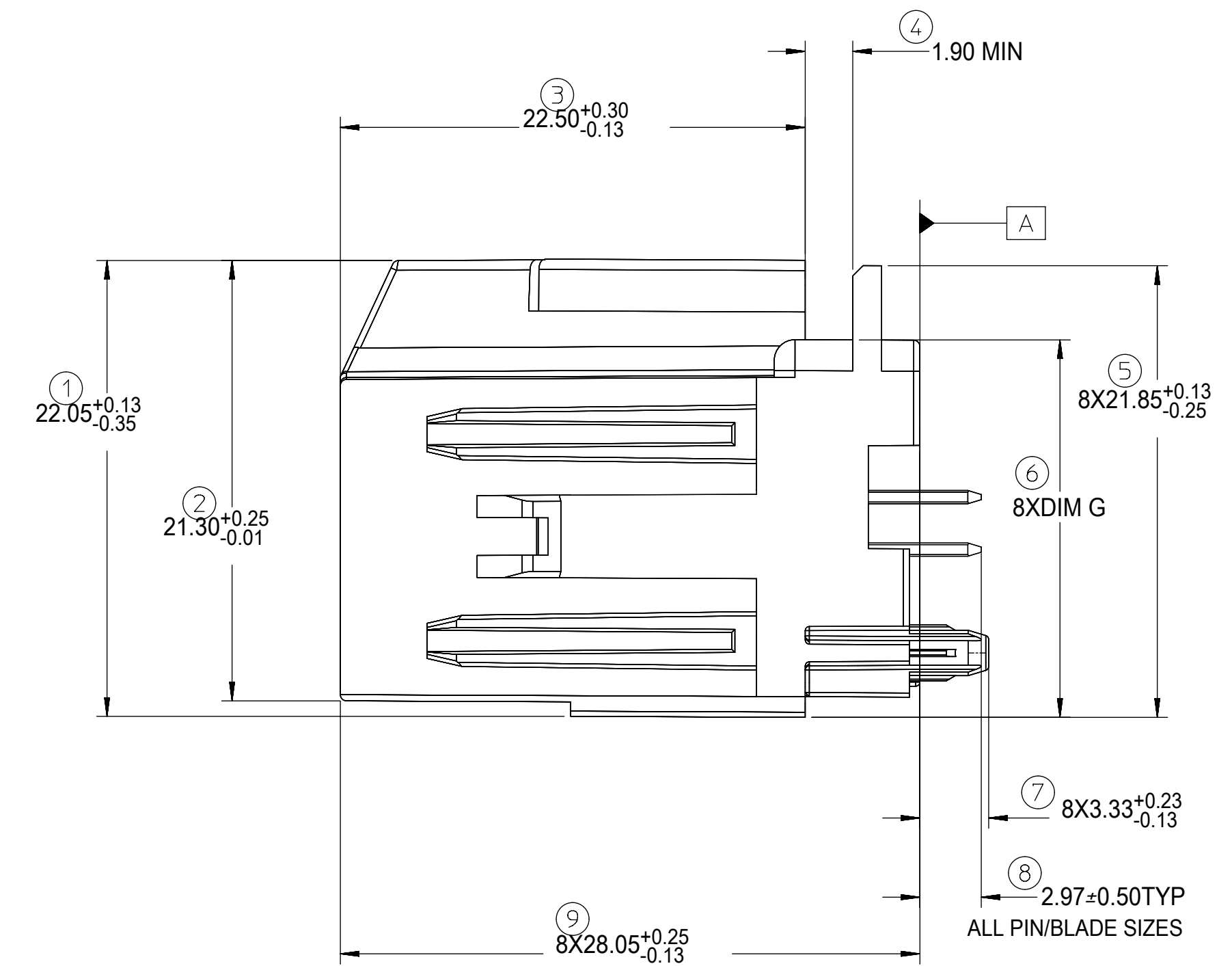
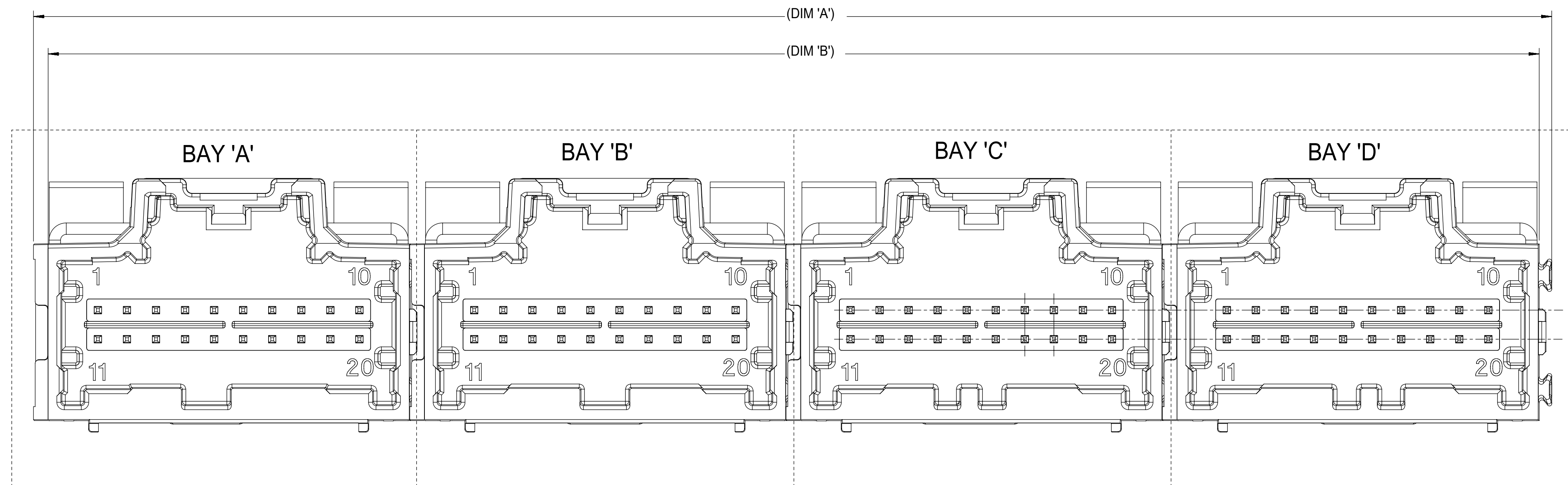
3. PLATING REQUIREMENTS:

a. UNDERPLATING - OVERALL NICKEL

b. OVERPLATING - OVERALL TIN

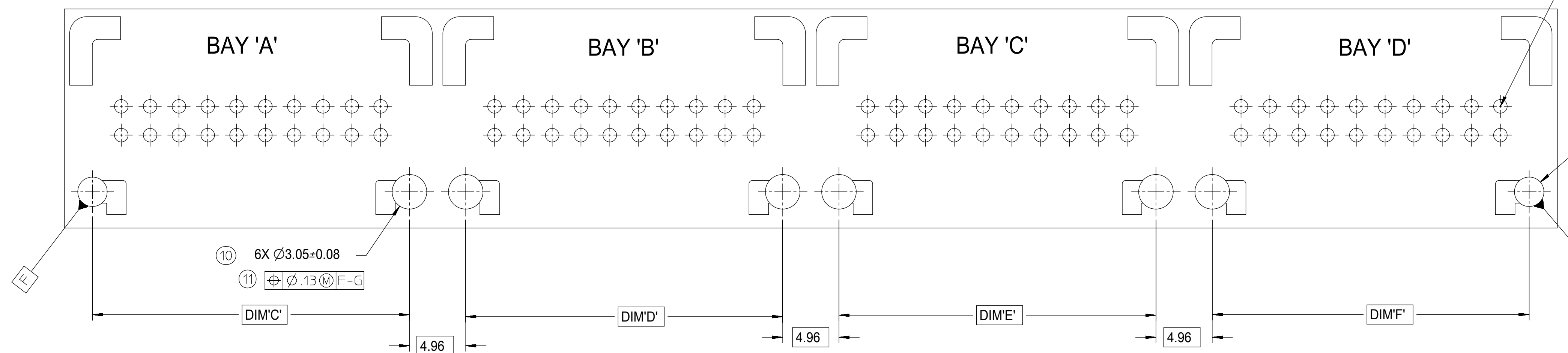
4. FOR DESCRIPTION OF INDIVIDUAL BAYS, REFER TO THE FOLLOWING  
SINGLE BAY DRAWINGS:  
8-20 CKT 0.64: SD-34690-100  
10 CKT HYBRID: SD-34695-100  
14 CKT HYBRID: SD-34772-200

SYMBOLS	THIS DRAWING CONTAINS INFORMATION THAT IS PROPRIETARY TO MOLEX ELECTRONIC TECHNOLOGIES, LLC AND SHOULD NOT BE USED WITHOUT WRITTEN PERMISSION		CURRENT REV DESC:		
	DIMENSION UNITS	SCALE			
▽ = 0	mm	4:1			4-BAY STAC64 VERTICAL HEADER ASSEMBLY SALES DRAWING  PRODUCT CUSTOMER DRAWING
▽ = 0	GENERAL TOLERANCES (UNLESS SPECIFIED)				
▽ = 0	ANGULAR TOL ± 3.0°		EC NO: 612618		DOCUMENT NUMBER <b>SD-34707-400</b>
▽ = 0	4 PLACES ±		DRWN: SHANDITHAVAL 2019/02/22		
▽ = 0	3 PLACES ±		CHK'D: RBAUMAN 2019/02/23		MATERIAL NUMBER CUSTOMER SHEET NUMBER SEE TABLE GENERAL MARKET 1 OF 4
▽ = 0	2 PLACES ± 0.13		APPR: RBAUMAN 2019/02/23		
▽ = 0	1 PLACE ± 0.25		INITIAL REVISION:		
▽ = 0	0 PLACES ±		DRWN: VDANIELE 2008/11/14		
▽ = 0	DRAFT WHERE APPLICABLE MUST REMAIN WITHIN DIMENSIONS		APPR: SMARCEAU 2008/11/14		
▽ = 0	THIRD ANGLE PROJECTION		DRAWING SERIES		
▽ = 0	D-SIZE		34707		



FOR DIM G:	
8-20CKT 0.64mm	18.40 MAX
10/14CKT Hybrid	18.59 MAX

RECOMMENDED PCB LAYOUT  
INSERT NECESSARY BAY'S USING THE CHART ON SHEET 1



FOR HOLE LOCATION REFER TO TEMPLATES ON SHEET 4

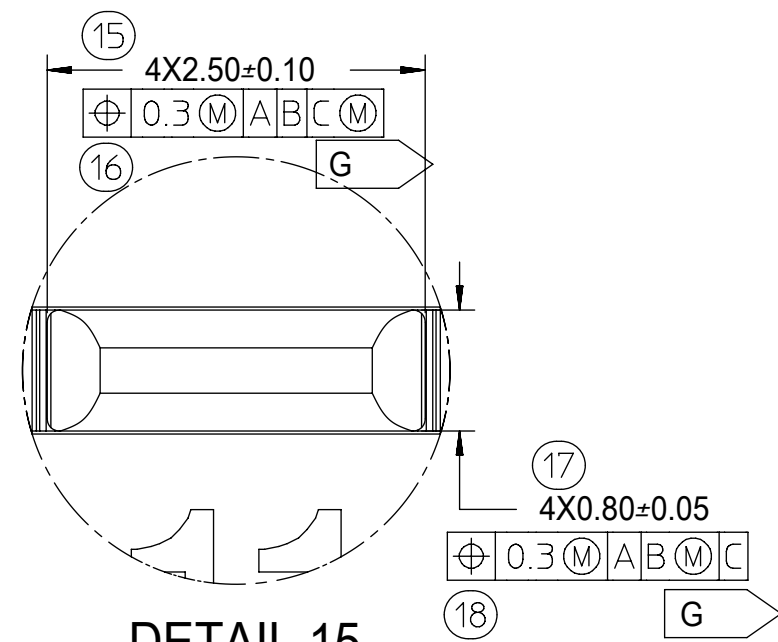
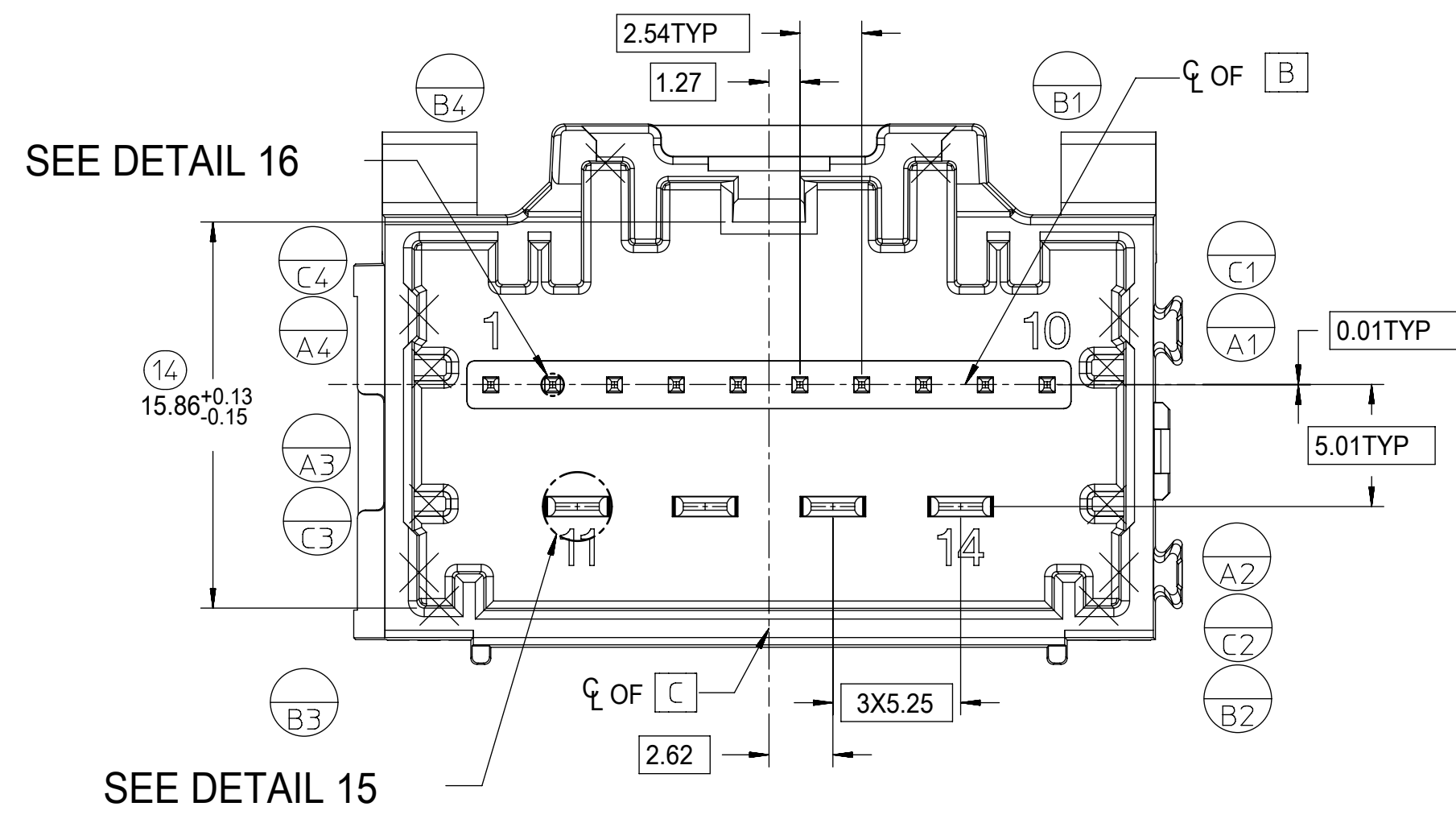
2X  $\varnothing Z \pm 0.08$  (12)  
 $\varnothing .13$  (13)

POST HOLE TABLE

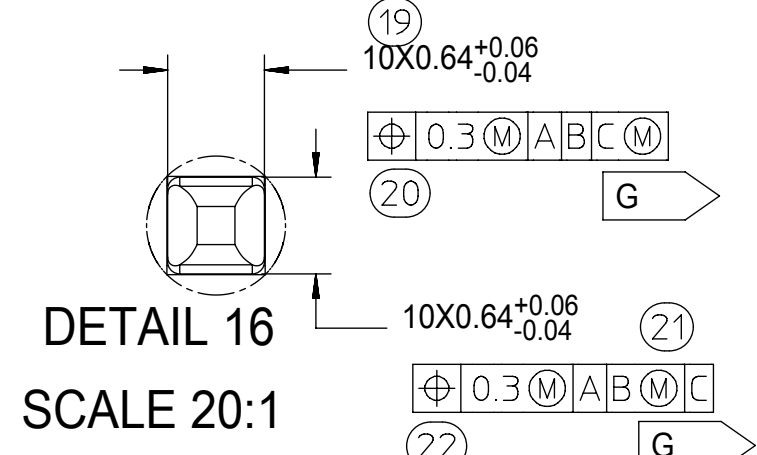
FOR DIM Z:	
PRESS FIT	2.60
DROP IN	3.05

SYMBOLS	THIS DRAWING CONTAINS INFORMATION THAT IS PROPRIETARY TO MOLEX ELECTRONIC TECHNOLOGIES, LLC AND SHOULD NOT BE USED WITHOUT WRITTEN PERMISSION		CURRENT REV DESC:		<b>molex</b>	
	DIMENSION UNITS	SCALE				
$\nabla = 0$	mm	4:1			4-BAY STAC64 VERTICAL HEADER ASSEMBLY SALES DRAWING	
$\nabla = 0$	GENERAL TOLERANCES (UNLESS SPECIFIED)					
$\nabla = 0$	ANGULAR TOL $\pm 3.0^\circ$				PRODUCT CUSTOMER DRAWING	
$\nabla = 0$	4 PLACES $\pm$					
$\nabla = 0$	3 PLACES $\pm$				DOCUMENT NUMBER	
$\nabla = 0$	2 PLACES $\pm 0.13$					
$\nabla = 0$	1 PLACE $\pm 0.25$				DOC TYPE	
$\nabla = 0$	0 PLACES $\pm$					
$\square = 0$	DRAFT WHERE APPLICABLE MUST REMAIN WITHIN DIMENSIONS		THIRD ANGLE PROJECTION		DOC PART	
$\nabla = 0$						
			D-SIZE		REVISION	
			34707			
			SERIES		REVISED	
			DRAWING			
			MATERIAL NUMBER		2019/02/23	
			CUSTOMER			
			SHEET NUMBER		2 OF 4	
			SEE TABLE			

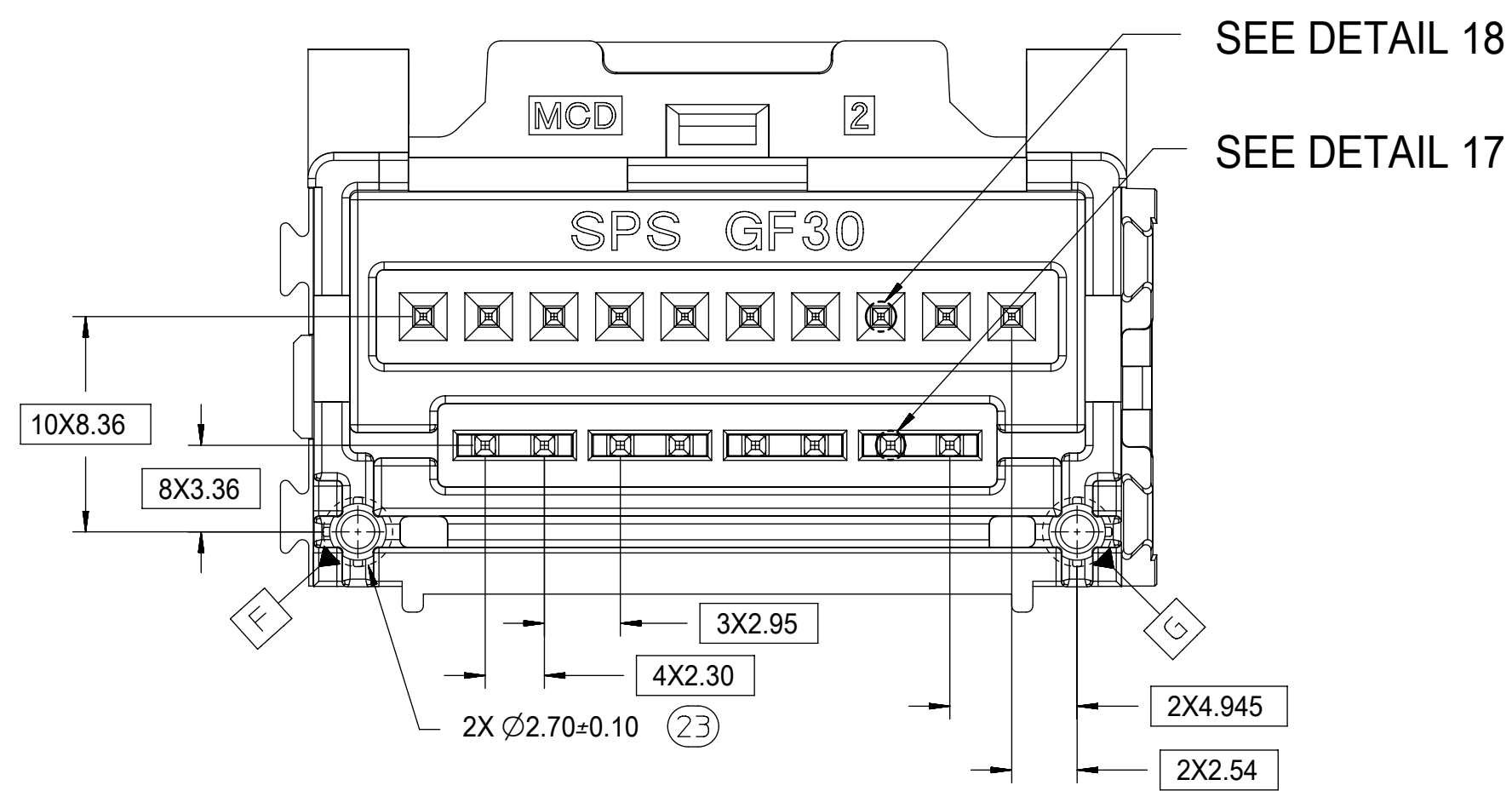
# 14KCT STAC HYBRID HEADER DETAILS



DETAIL 15  
SCALE 20:1



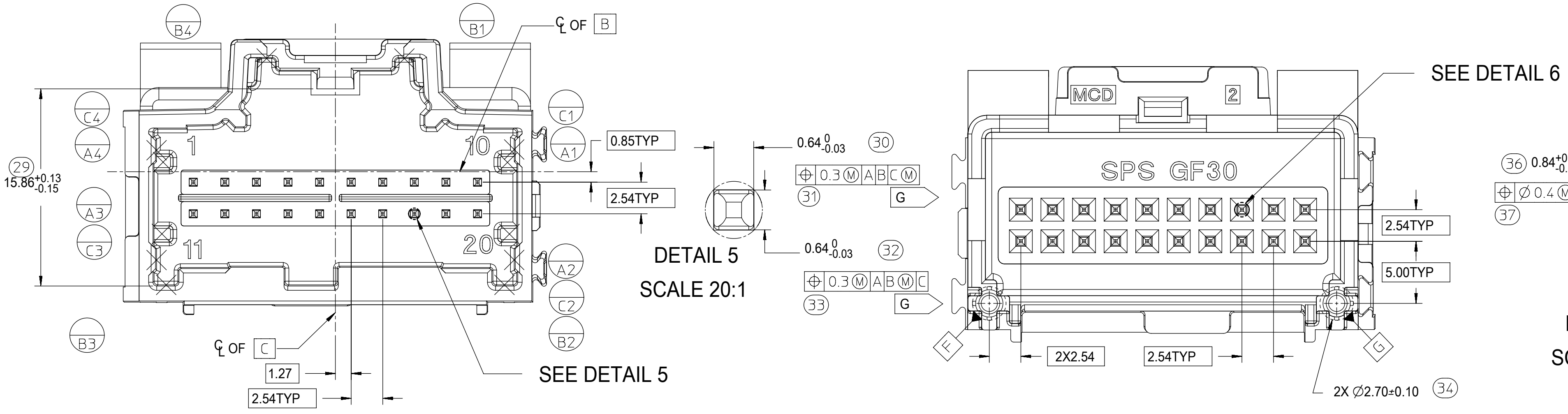
DETAIL 16  
SCALE 20:1



DETAIL 18  
SCALE 15:1

DETAIL 17  
SCALE 15:1

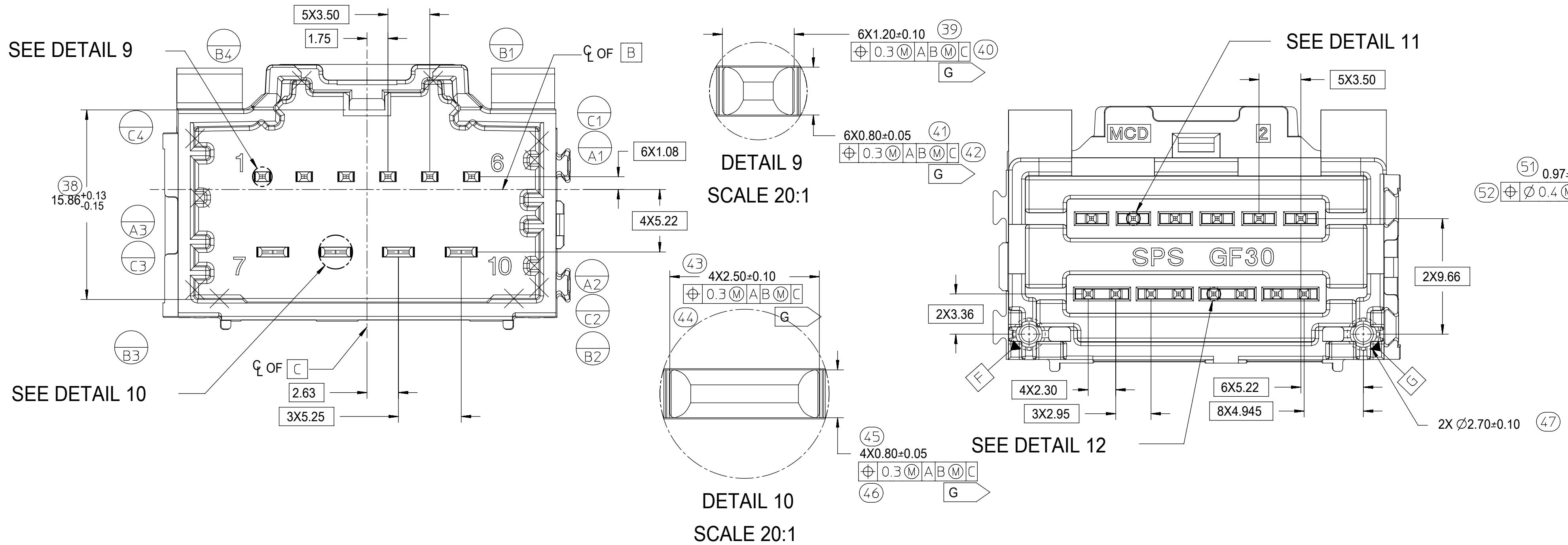
# 8-20KCT STAC 0.64mm HEADER DETAILS



DETAIL 5  
SCALE 20:1

DETAIL 6  
SCALE 15:1

# 10KCT STAC HYBRID HEADER DETAILS



DETAIL 9  
SCALE 20:1

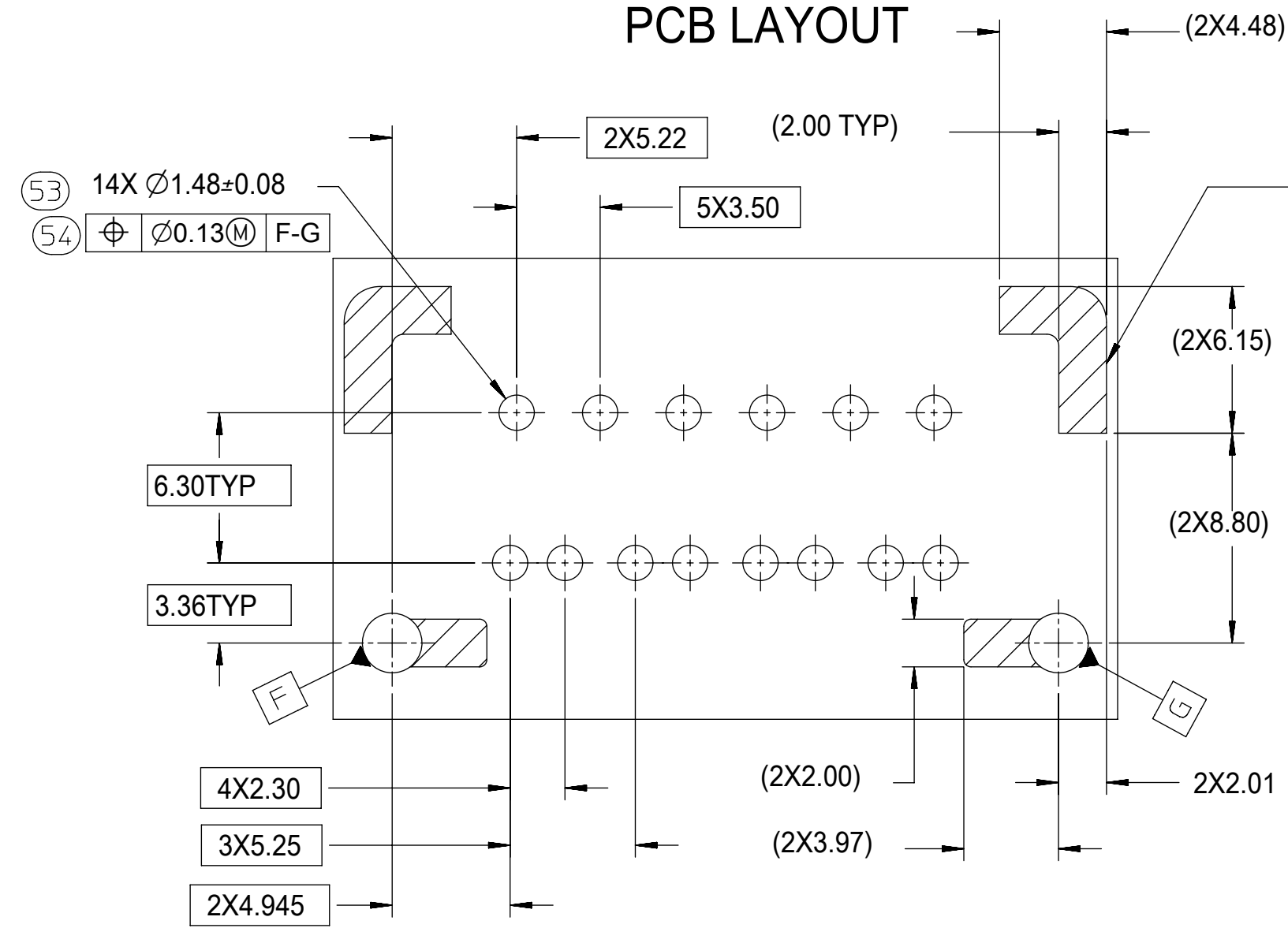
DETAIL 11  
SCALE 15:1

DETAIL 12  
SCALE 15:1

DETAIL 10  
SCALE 20:1

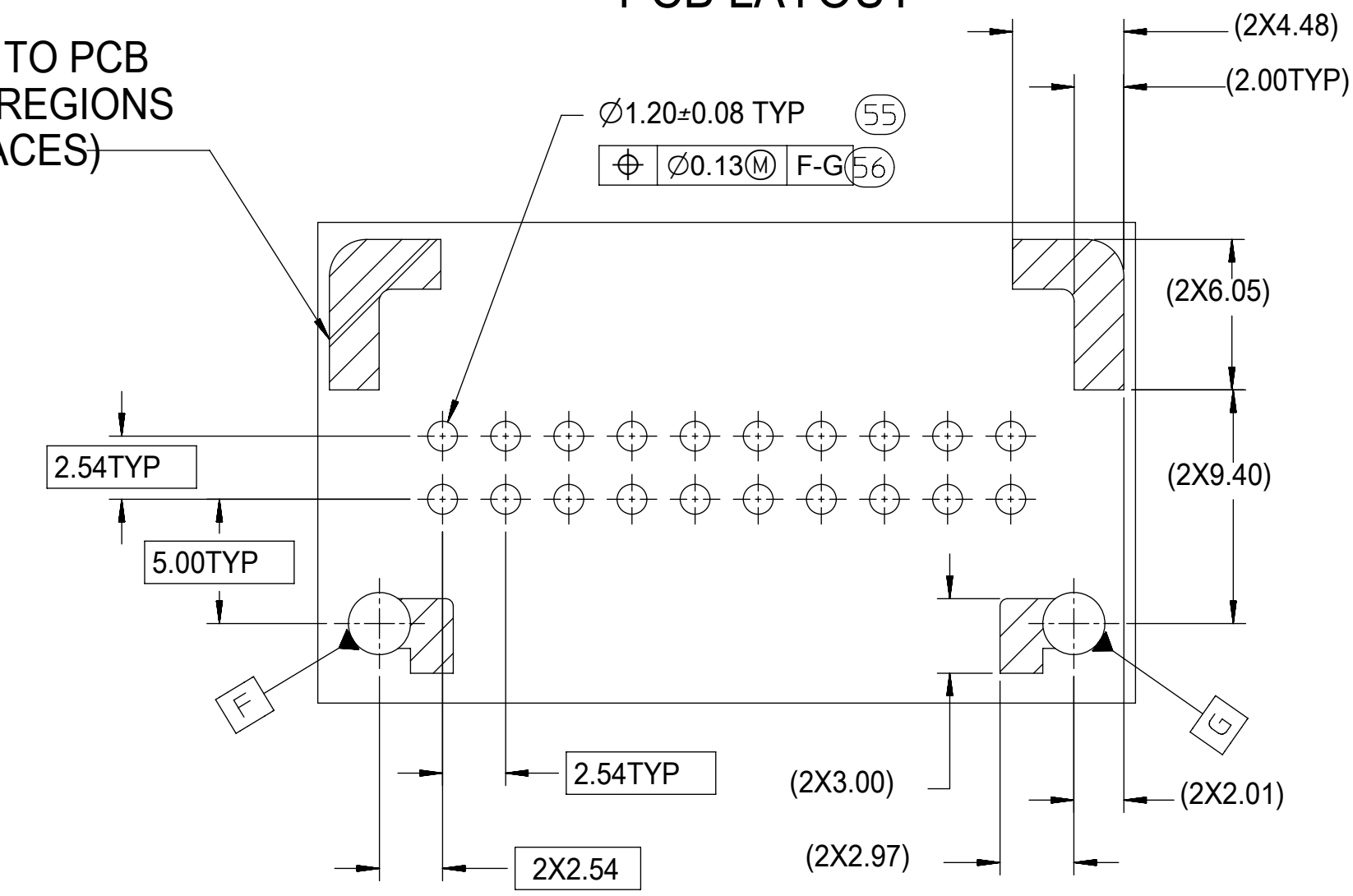
SYMBOLS	THIS DRAWING CONTAINS INFORMATION THAT IS PROPRIETARY TO MOLEX ELECTRONIC TECHNOLOGIES, LLC AND SHOULD NOT BE USED WITHOUT WRITTEN PERMISSION		
	DIMENSION UNITS	SCALE	CURRENT REV DESC:
▽ = 0	mm	4:1	
▽ = 0	GENERAL TOLERANCES (UNLESS SPECIFIED)		
▽ = 0	ANGULAR TOL ± 3.0°		
▽ = 0	4 PLACES ±		
▽ = 0	3 PLACES ±		
▽ = 0	2 PLACES ± 0.13		
▽ = 0	1 PLACE ± 0.25		
▽ = 0	0 PLACES ±		
■ = 0	DRAFT WHERE APPLICABLE MUST REMAIN WITHIN DIMENSIONS		
▽ = 0	THIRD ANGLE PROJECTION	DRAWING	SERIES
		D-SIZE	34707
EC NO: 612618		2019/02/22	
DRWN: SHANDITHAVAL		2019/02/22	
CHK'D: RBAUMAN		2019/02/23	
APPR: RBAUMAN		2019/02/23	
INITIAL REVISION:			
DRWN: VDANIELE		2008/11/14	
APPR: SMARCEAU		2008/11/14	
DOCUMENT NUMBER		DOC TYPE	DOC PART
SD-34707-400		PSD	001
REVISION			
D9			
MATERIAL NUMBER		CUSTOMER	SHEET NUMBER
SEE TABLE		GENERAL MARKET	3 OF 4

10 CKT HYBRID TEMPLATE  
PCB LAYOUT

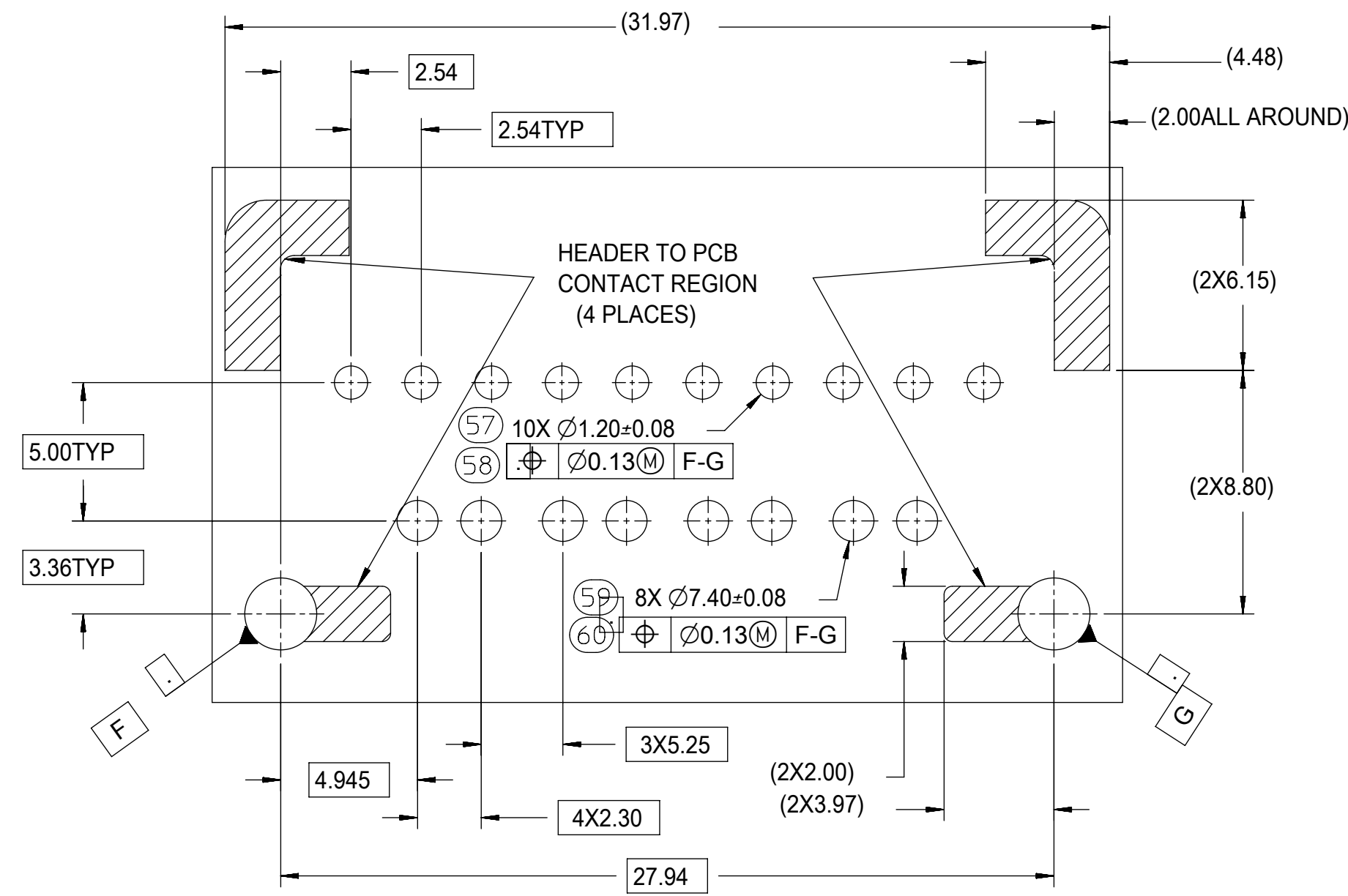


8-20 CKT 0.64mm TEMPLATE  
PCB LAYOUT

HEADER TO PCB  
CONTACT REGIONS  
(8 PLACES)



14 CKT HYBRID TEMPLATE  
PCB LAYOUT



SYMBOLS	THIS DRAWING CONTAINS INFORMATION THAT IS PROPRIETARY TO MOLEX ELECTRONIC TECHNOLOGIES, LLC AND SHOULD NOT BE USED WITHOUT WRITTEN PERMISSION		CURRENT REV DESC:		
	DIMENSION UNITS	SCALE			
▽ = 0	mm	4:1			4-BAY STAC64 VERTICAL HEADER ASSEMBLY SALES DRAWING
▽ = 0	GENERAL TOLERANCES (UNLESS SPECIFIED)				
▽ = 0	ANGULAR TOL	± 3.0°	EC NO: 612618		PRODUCT CUSTOMER DRAWING
▽ = 0	4 PLACES	±	DRWN: SHANDITHAVAL 2019/02/22		
▽ = 0	3 PLACES	±	CHK'D: RBAUMAN 2019/02/23		DOCUMENT NUMBER: SD-34707-400 DOC TYPE: PSD DOC PART: 001 REVISION: D9
▽ = 0	2 PLACES	± 0.13	APPR: RBAUMAN 2019/02/23		
▽ = 0	1 PLACE	± 0.25	INITIAL REVISION:		MATERIAL NUMBER: SEE TABLE CUSTOMER: GENERAL MARKET SHEET NUMBER: 4 OF 4
▽ = 0	0 PLACES	±	DRWN: VDANIELE 2008/11/14		
▽ = 0	DRAFT WHERE APPLICABLE MUST REMAIN WITHIN DIMENSIONS		THIRD ANGLE PROJECTION	DRAWING	SERIES
▽ = 0				D-SIZE	34707