

Automotive-grade N-channel 40 V, 1.1 mΩ typ., 200 A STripFET™ F6 Power MOSFETs in H²PAK-2 and H²PAK-6

Datasheet - production data

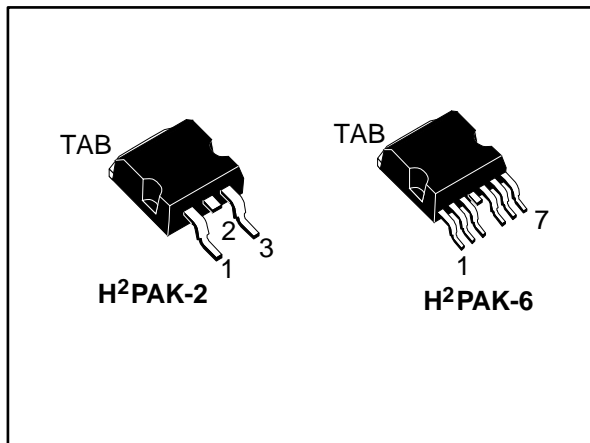
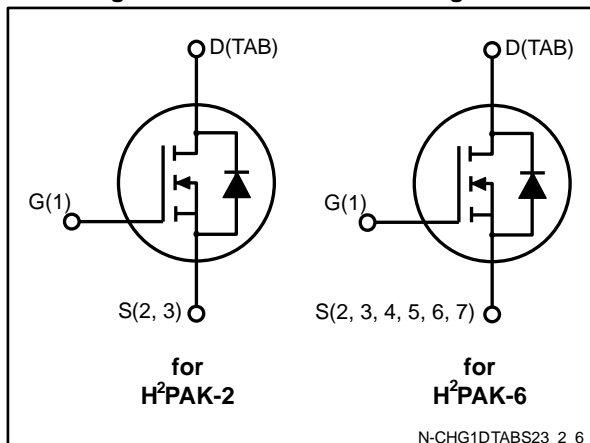


Figure 1: Internal schematic diagram



Features

Order code	V _{DS}	R _{DS(on) max}	I _D
STH320N4F6-2	40 V	1.3 mΩ	200 A
STH320N4F6-6			

- AEC-Q101 qualified
- Very low on-resistance
- Very low gate charge
- High avalanche ruggedness
- Low gate drive power loss



Applications

- Switching applications

Description

These devices are N-channel Power MOSFETs developed using the STripFET™ F6 technology with a new trench gate structure. The resulting Power MOSFETs exhibit very low R_{DS(on)} in all packages.

Table 1: Device summary

Order code	Marking	Package	Packaging
STH320N4F6-2	320N4F6	H ² PAK-2	Tape and reel
STH320N4F6-6		H ² PAK-6	

Contents

1	Electrical ratings	3
2	Electrical characteristics	4
	2.1 Electrical characteristics (curves)	6
3	Test circuits	8
4	Package mechanical data	9
	4.1 H ² PAK-2 mechanical data	10
	4.2 H ² PAK-6 mechanical data	12
	4.3 Packaging information	15
5	Revision history	17

1 Electrical ratings

Table 2: Absolute maximum ratings

Symbol	Parameter	Value	Unit
V_{DS}	Drain-source voltage	40	V
V_{GS}	Gate-source voltage	± 20	V
$I_D^{(1)}$	Drain current (continuous) at $T_C = 25\text{ }^\circ\text{C}$	200	A
$I_D^{(1)}$	Drain current (continuous) at $T_C = 100\text{ }^\circ\text{C}$	200	A
$I_{DM}^{(2)}$	Drain current (pulsed)	800	A
P_{TOT}	Total dissipation at $T_C = 25\text{ }^\circ\text{C}$	340	W
I_{AS}	Not-repetitive avalanche current	160	A
E_{AS}	Single pulse avalanche energy	920	mJ
T_{stg}	Storage temperature range	- 55 to 175	$^\circ\text{C}$
T_j	Operating junction temperature range		

Notes:

(1)Current value is limited by package.

(2)Pulse width is limited by safe operating area.

Table 3: Thermal data

Symbol	Parameter	Value	Unit
$R_{thj-case}$	Thermal resistance junction-case	0.44	$^\circ\text{C/W}$
$R_{thj-pcb}^{(1)}$	Thermal resistance junction-pcb	35	$^\circ\text{C/W}$

Notes:

(1)When mounted on FR-4 board of 1 inch², 2 oz Cu.

2 Electrical characteristics

(T_{CASE} = 25 °C unless otherwise specified)

Table 4: On/off states

Symbol	Parameter	Test conditions	Min.	Typ.	Max.	Unit
V _{(BR)DSS}	Drain-source breakdown voltage	V _{GS} = 0 V, I _D = 250 μA	40			V
I _{DSS}	Zero gate voltage drain current	V _{GS} = 0 V, V _{DS} = 40 V			1	μA
		V _{GS} = 0 V, V _{DS} = 40 V, T _C = 125 °C ⁽¹⁾			100	μA
I _{GSS}	Gate-body leakage current	V _{DS} = 0 V, V _{GS} = ±20 V			±100	nA
V _{GS(th)}	Gate threshold voltage	V _{DS} = V _{GS} , I _D = 250 μA	2		4	V
R _{DS(on)}	Static drain-source on-resistance	V _{GS} = 10 V, I _D = 80 A		1.1	1.3	mΩ

Notes:

⁽¹⁾Defined by design, not subject to production test.

Table 5: Dynamic

Symbol	Parameter	Test conditions	Min.	Typ.	Max.	Unit
C _{iss}	Input capacitance	V _{DS} = 15 V, f = 1 MHz, V _{GS} = 0 V	-	13800	-	pF
C _{oss}	Output capacitance		-	1870	-	pF
C _{rss}	Reverse transfer capacitance		-	1095	-	pF
Q _g	Total gate charge	V _{DD} = 20 V, I _D = 160 A, V _{GS} = 0 to 10 V (see Figure 14: "Test circuit for gate charge behavior")	-	240	-	nC
Q _{gs}	Gate-source charge		-	59	-	nC
Q _{gd}	Gate-drain charge		-	75.2	-	nC

Table 6: Switching times

Symbol	Parameter	Test conditions	Min.	Typ.	Max.	Unit
t _{d(on)}	Turn-on delay time	V _{DD} = 20 V, I _D = 80 A, R _G = 4.7 Ω, V _{GS} = 10 V (see Figure 13: "Test circuit for resistive load switching times" and Figure 18: "Switching time waveform")	-	28	-	ns
t _r	Rise time		-	98	-	ns
t _{d(off)}	Turn-off-delay time		-	190	-	ns
t _f	Fall time		-	95	-	ns

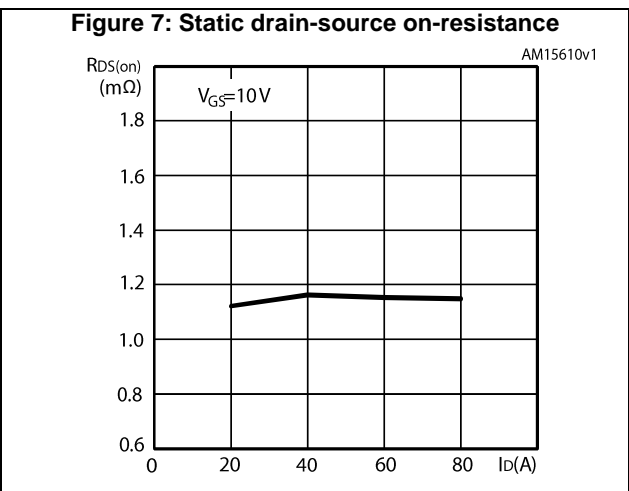
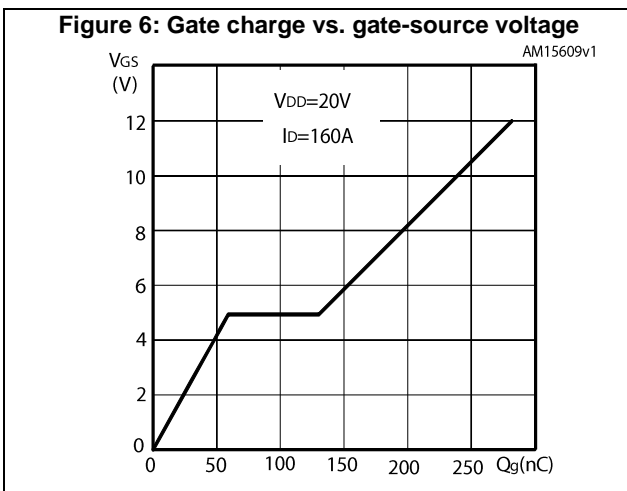
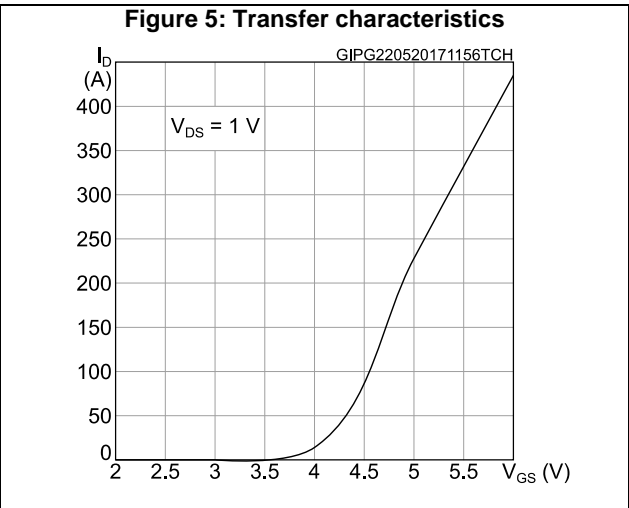
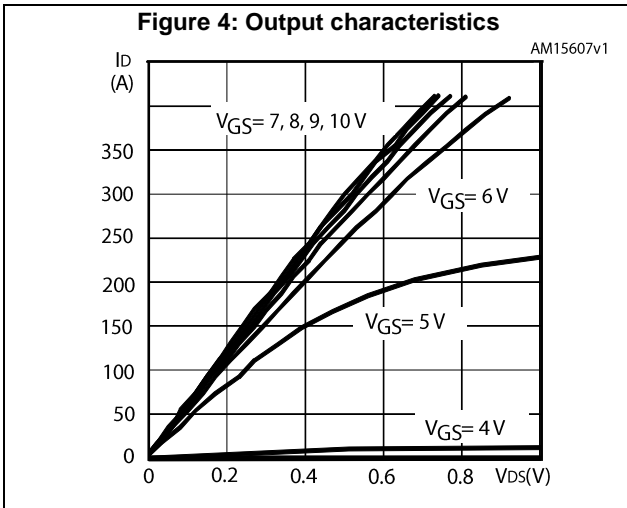
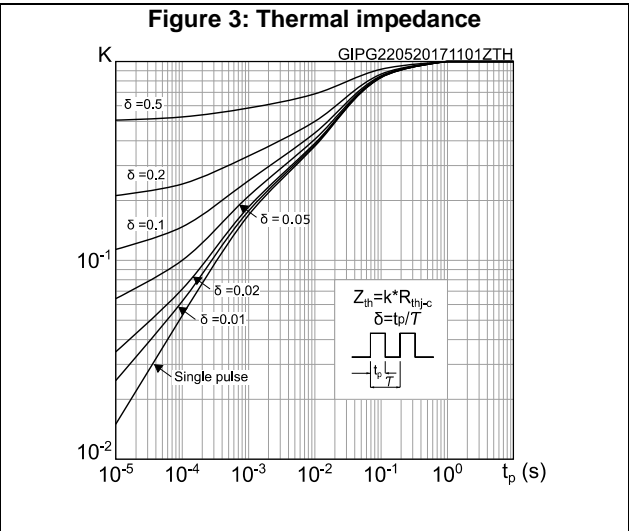
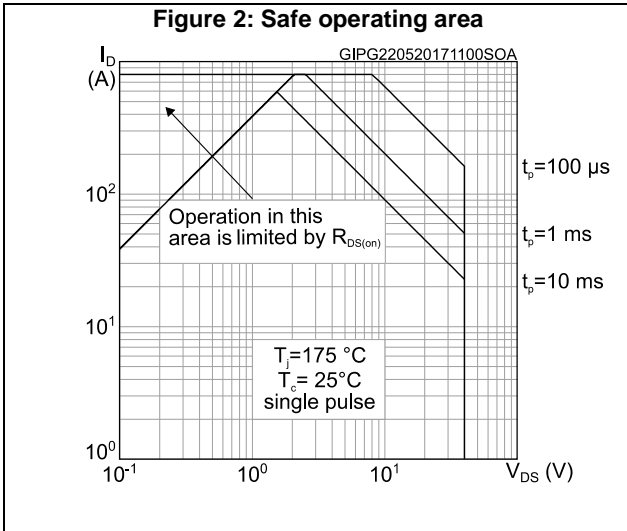
Table 7: Source drain diode

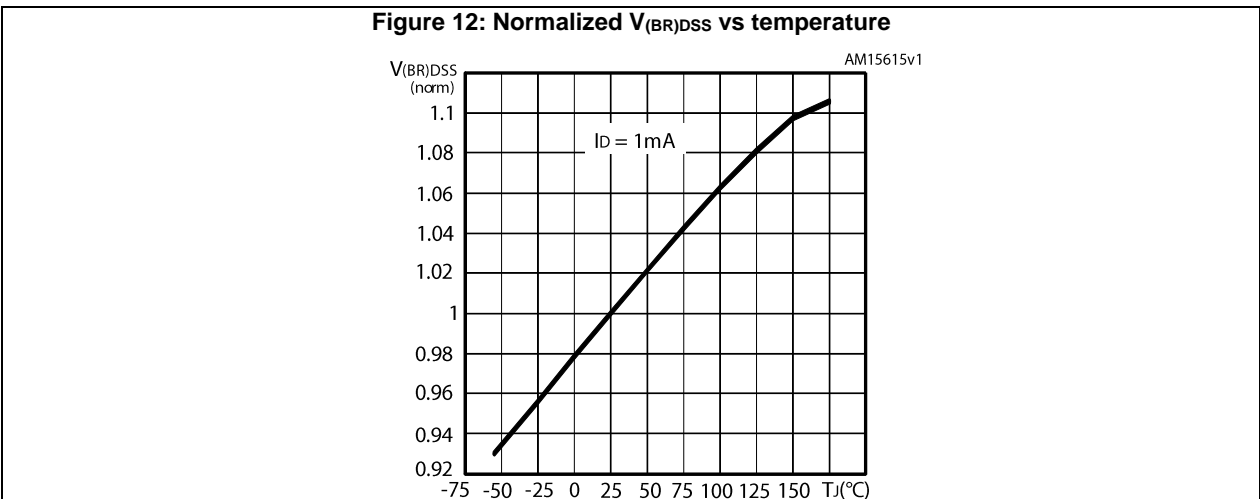
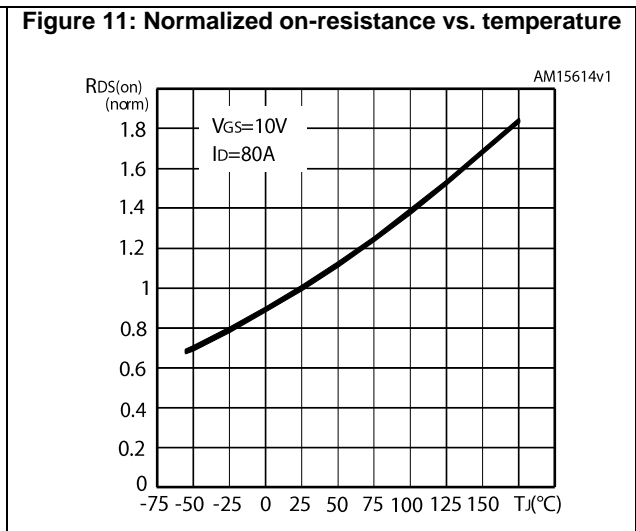
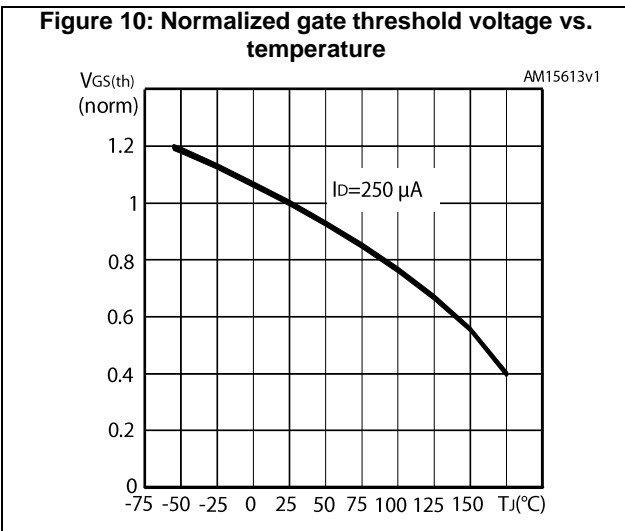
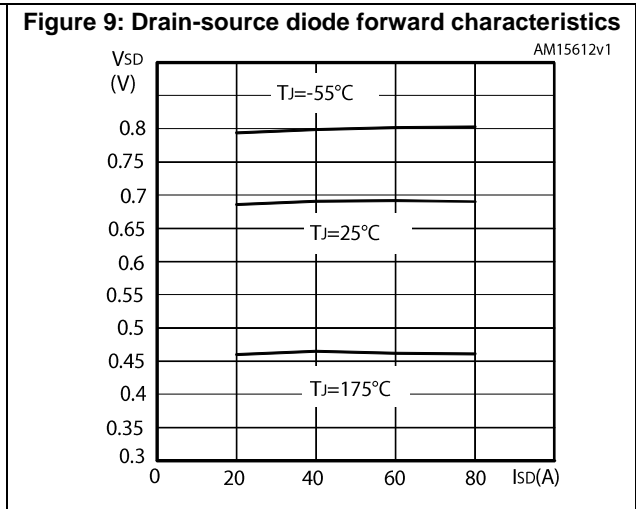
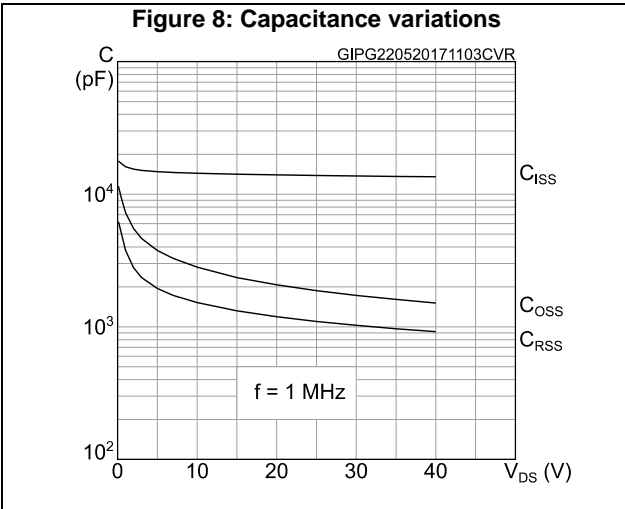
Symbol	Parameter	Test conditions	Min.	Typ.	Max.	Unit
$I_{SD}^{(1)}$	Source-drain current		-		200	A
$I_{SDM}^{(2)}$	Source-drain current (pulsed)		-		800	A
$V_{SD}^{(3)}$	Forward on voltage	$I_{SD} = 80\text{ A}$, $V_{GS} = 0\text{ V}$	-		1.1	V
t_{rr}	Reverse recovery time	$I_{SD} = 160\text{ A}$, $V_{DD} = 32\text{ V}$ $di/dt = 100\text{ A}/\mu\text{s}$, $T_j = 150\text{ }^\circ\text{C}$ (see Figure 15: "Test circuit for inductive load switching and diode recovery times")	-	58.7		ns
Q_{rr}	Reverse recovery charge		-	99.2		nC
I_{RRM}	Reverse recovery current		-	3.38		A

Notes:

- (1)Current value is limited by package.
- (2)Pulse width is limited by safe operating area
- (3)Pulsed: pulse duration = 300 μs , duty cycle 1.5%

2.1 Electrical characteristics (curves)





3 Test circuits

Figure 13: Test circuit for resistive load switching times



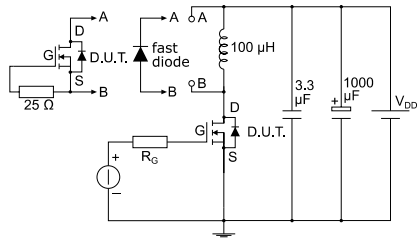
AM01468v1

Figure 14: Test circuit for gate charge behavior



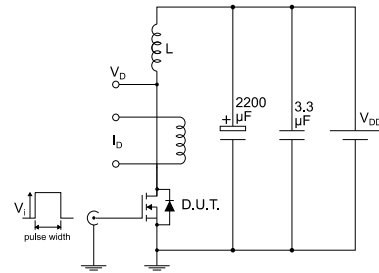
AM01469v1

Figure 15: Test circuit for inductive load switching and diode recovery times



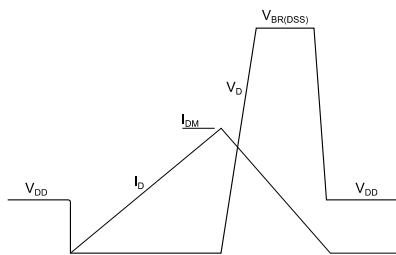
AM01470v1

Figure 16: Unclamped inductive load test circuit



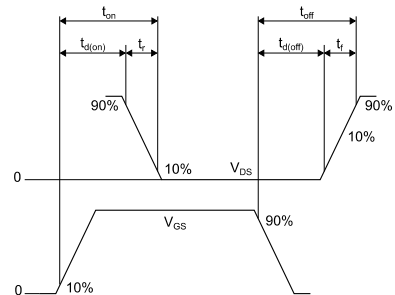
AM01471v1

Figure 17: Unclamped inductive waveform



AM01472v1

Figure 18: Switching time waveform



AM01473v1

4 Package mechanical data

In order to meet environmental requirements, ST offers these devices in different grades of ECOPACK® packages, depending on their level of environmental compliance. ECOPACK® specifications, grade definitions and product status are available at: www.st.com. ECOPACK® is an ST trademark.

4.1 H²PAK-2 mechanical data

Figure 19: H²PAK-2 package outline

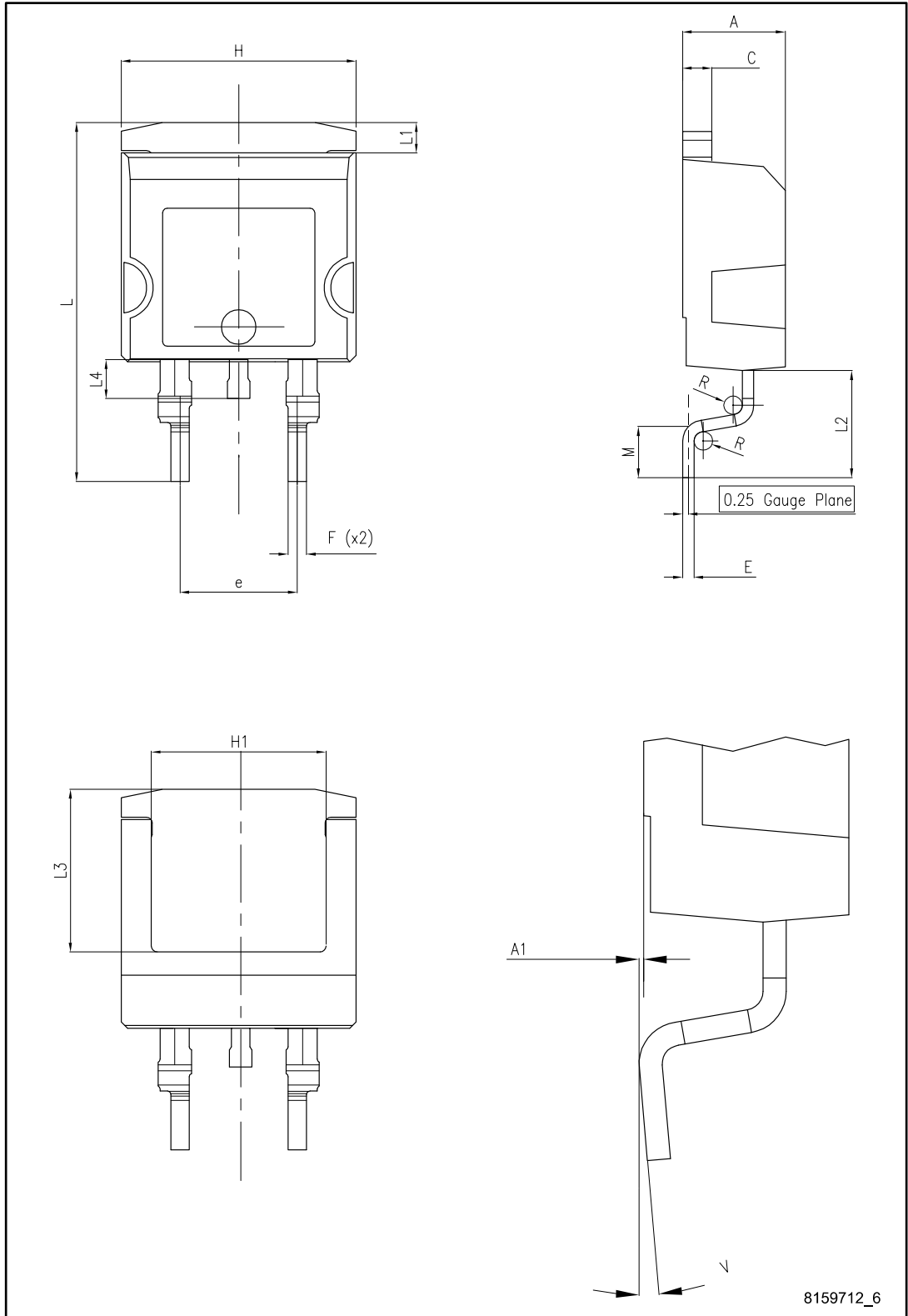
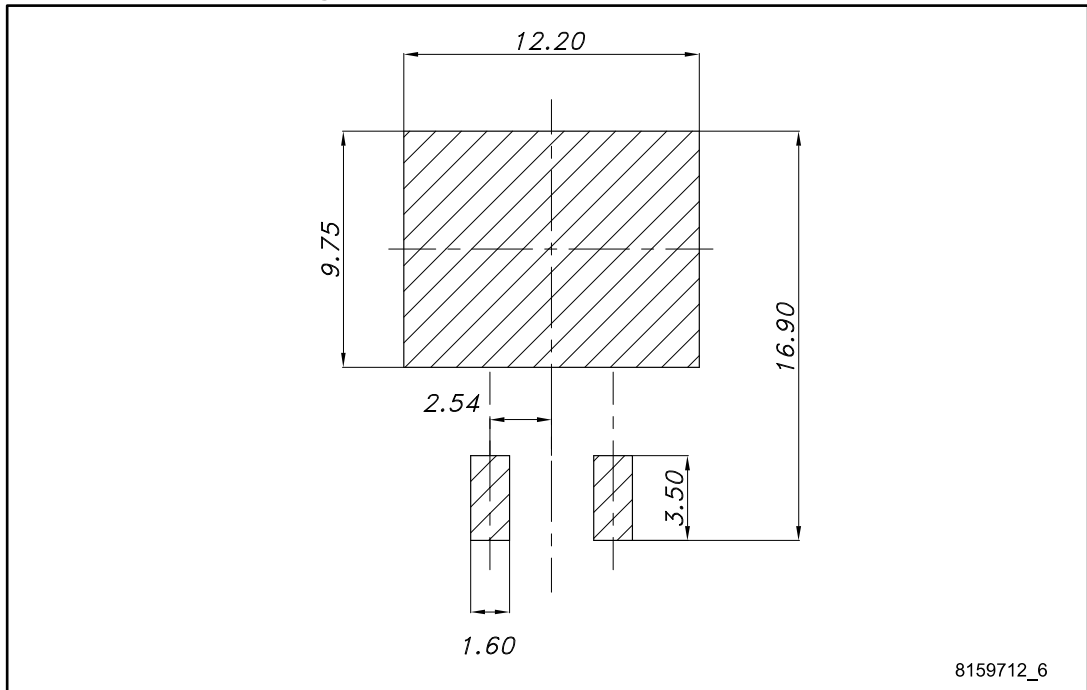


Table 8: H²PAK-2 package mechanical data

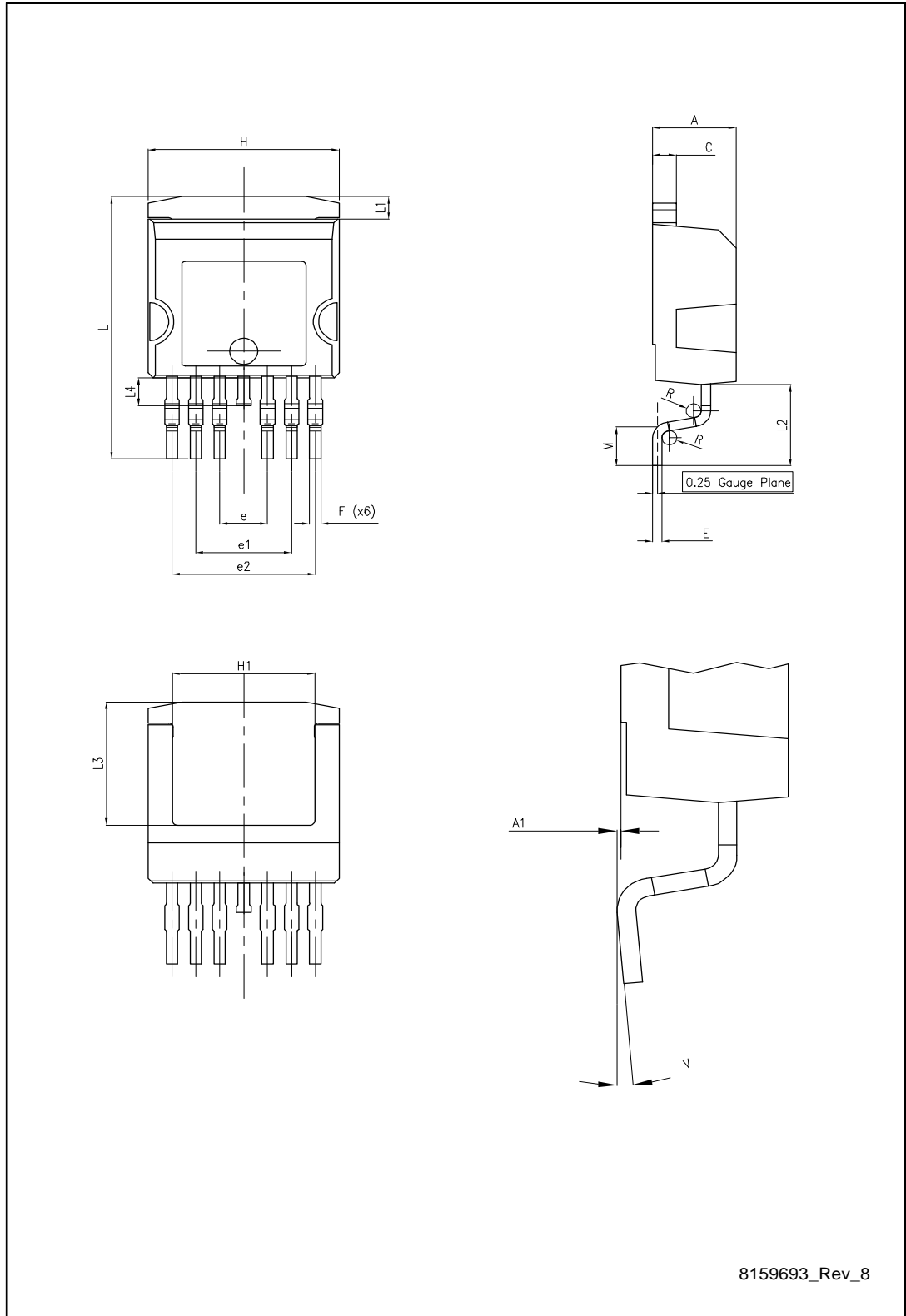
Dim.	mm		
	Min.	Typ.	Max.
A	4.30		4.70
A1	0.03		0.20
C	1.17		1.37
e	4.98		5.18
E	0.50		0.90
F	0.78		0.85
H	10.00		10.40
H1	7.40		7.80
L	15.30		15.80
L1	1.27		1.40
L2	4.93		5.23
L3	6.85		7.25
L4	1.5		1.7
M	2.6		2.9
R	0.20		0.60
V	0°		8°

Figure 20: H²PAK-2 recommended footprint



4.2 H²PAK-6 mechanical data

Figure 21: H²PAK-6 package outline

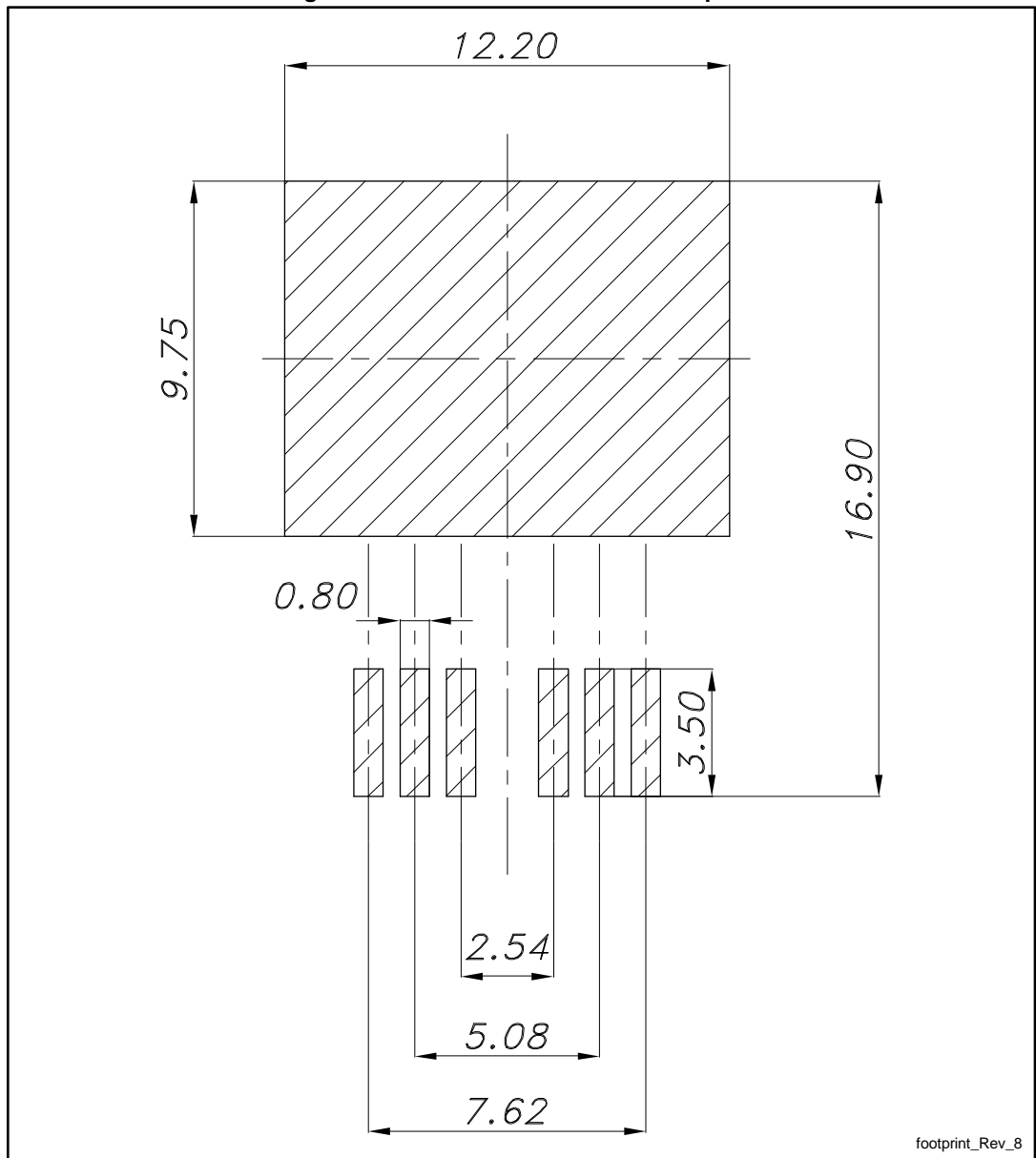


8159693_Rev_8

Table 9: H²PAK-6 package mechanical data

Dim.	mm		
	Min.	Typ.	Max.
A	4.30		4.70
A1	0.03		0.20
C	1.17		1.37
e	2.34	2.54	2.74
e1	4.88		5.28
e2	7.42		7.82
E	0.45		0.60
F	0.50		0.70
H	10.00		10.40
H1	7.40		7.80
L	14.75		15.25
L1	1.27		1.40
L2	4.35		4.95
L3	6.85		7.25
L4	1.50		1.75
M	1.90		2.50
R	0.20		0.60
V	0°		8°

Figure 22: H²PAK-6 recommended footprint



Dimensions are in mm.

4.3 Packaging information

Figure 23: Tape outline

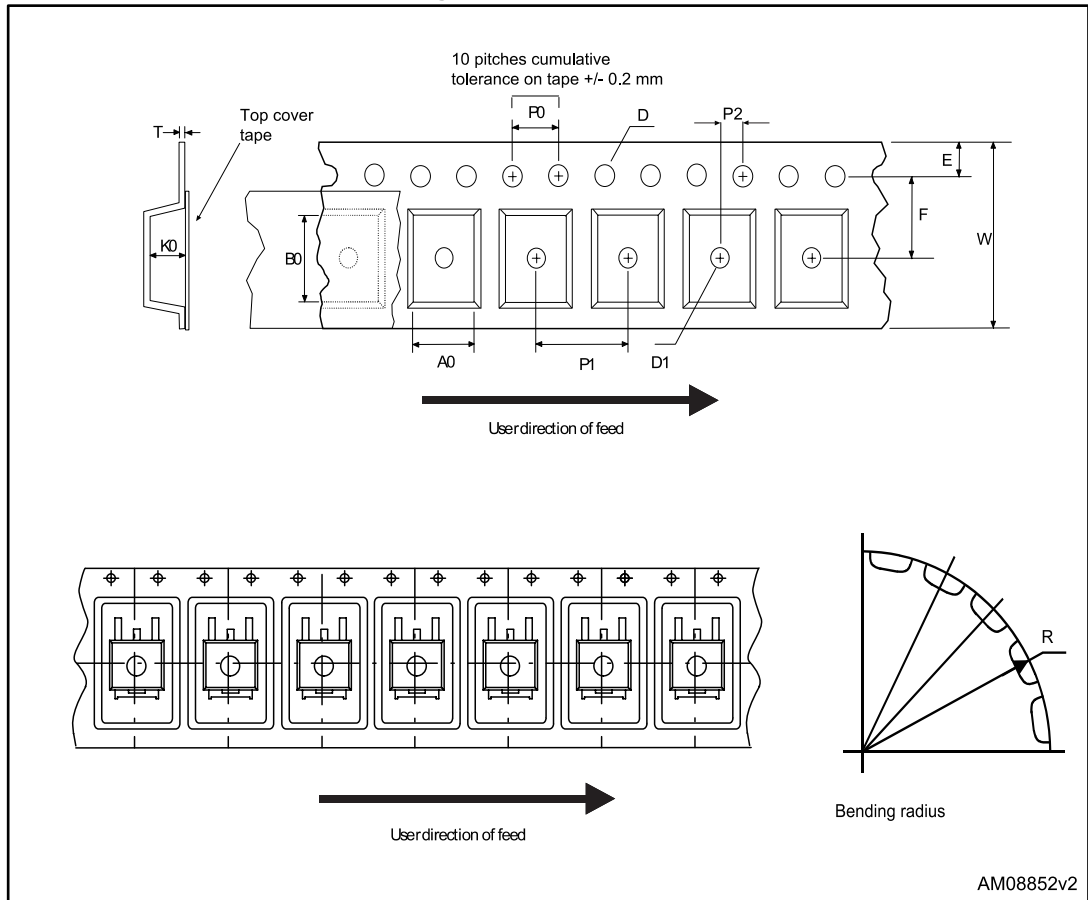


Figure 24: Reel outline

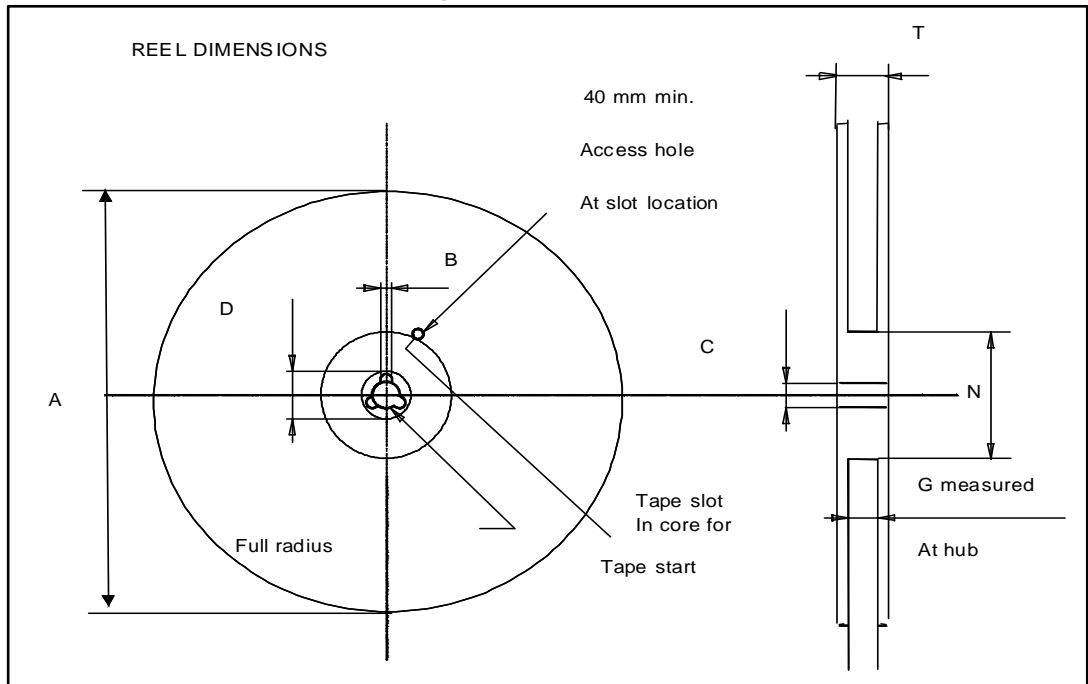


Table 10: Tape and reel mechanical data

Tape			Reel		
Dim.	mm		Dim.	mm	
	Min.	Max.		Min.	Max.
A0	10.5	10.7	A		330
B0	15.7	15.9	B	1.5	
D	1.5	1.6	C	12.8	13.2
D1	1.59	1.61	D	20.2	
E	1.65	1.85	G	24.4	26.4
F	11.4	11.6	N	100	
K0	4.8	5.0	T		30.4
P0	3.9	4.1			
P1	11.9	12.1	Base quantity		1000
P2	1.9	2.1	Bulk quantity		1000
R	50				
T	0.25	0.35			
W	23.7	24.3			

5 Revision history

Table 11: Document revision history

Date	Revision	Changes
01-Feb-2013	1	First release.
12-May-2017	2	Modified title and features on cover page. Updated Section 4: "Package mechanical data". Modified Figure 2: "Safe operating area", Figure 3: "Thermal impedance", Figure 5: "Transfer characteristics" and Figure 8: "Capacitance variations". Minor text changes.
29-May-2017	3	Modified <i>Table 2: "Absolute maximum ratings"</i> . Minor text changes.

IMPORTANT NOTICE – PLEASE READ CAREFULLY

STMicroelectronics NV and its subsidiaries ("ST") reserve the right to make changes, corrections, enhancements, modifications, and improvements to ST products and/or to this document at any time without notice. Purchasers should obtain the latest relevant information on ST products before placing orders. ST products are sold pursuant to ST's terms and conditions of sale in place at the time of order acknowledgement.

Purchasers are solely responsible for the choice, selection, and use of ST products and ST assumes no liability for application assistance or the design of Purchasers' products.

No license, express or implied, to any intellectual property right is granted by ST herein.

Resale of ST products with provisions different from the information set forth herein shall void any warranty granted by ST for such product.

ST and the ST logo are trademarks of ST. All other product or service names are the property of their respective owners.

Information in this document supersedes and replaces information previously supplied in any prior versions of this document.

© 2017 STMicroelectronics – All rights reserved