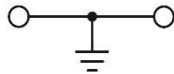


Part number: **10134283-001LF**

Screw ground terminal blocks - yellowgreen
 Screw connection - 6mm² / 8AWG - Width 8 mm



GENERAL DATA

Item	10134283
Weight/Piece	56.8 g
Colour	YellowGreen
Q.ty p.pck.	25

TECHNICAL DATA / DIMENSIONS

Dimensions

Width mm (in.)	12 (0.47)
Length mm (in.)	58 (2.28)
Height mm (in.)	49 (1.93)
Mounting type (EN 60715)	Omega TH35

Technical data

Maximum load current	-
Insulating material	PA
Self-extinguishing degree acc. to UL94	V2
Rated surge voltage	6KV
Pollution degree	3
Surge voltage category	III
Insulating material group	I
Nominal Voltage	-
Nominal Current	-
Temperature index, insulating material – Elec. UL 746 B - RTI	130°C
Static insulating material lower permissible temperature	-60°C

Connection data

Conductor cross-section solid min/max	1.5 / 25 mm ²
Conductor cross-section stranded min/max	1.5 / 16 mm ²

AWG min/max	14-4 AWG
Max conductor cross-section stranded with ferrule with plastic sleeve	16 mm ² / L=12mm
Stripping length	max 14 mm
Screw	M5 – Zinc plated steel
Tightening torque	2Nm / 30 Lb-In
Earth Screw	M3.5 – Zinc plated steel
Tightening torque	0.8Nm / 10 Lb-In
Clamp	Zinc plated steel
Metal part	Zinc plated steel

APPROVALS

RINA

EN60947-7-2 25mm²

EN60068-2-11 Salt mist test for 96 hours

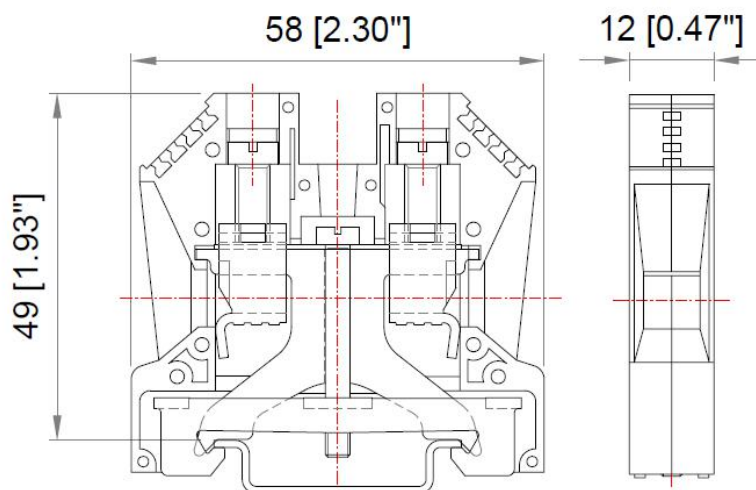
ENEL DV27



UL1059
E203985

AWG 14-4

TECHNICAL DRAWINGS



ACCESSORIES

Marking

Item	Description
10134398-001LF	Single-digit marking tag (5 x 3 mm) - white
10134398-002LF ~ 10134398-011LF	Single-digit marking tag (5 x 3 mm) – with marking: 0 ~ 9
10134398-012LF ~ 10134398-041LF	Single-digit marking tag (5 x 3 mm) – with marking: A ~ Z
10134401-001LF	Marking tags (6 x 12 mm) - white (<i>special marking on request</i>)

DIN RAIL system - Mounting and Installation material

Item	Description
10134389-001LF	End bracket width 9
10134390-001LF	End bracket width 6
10134391-001LF	Snap-on end bracket width 6