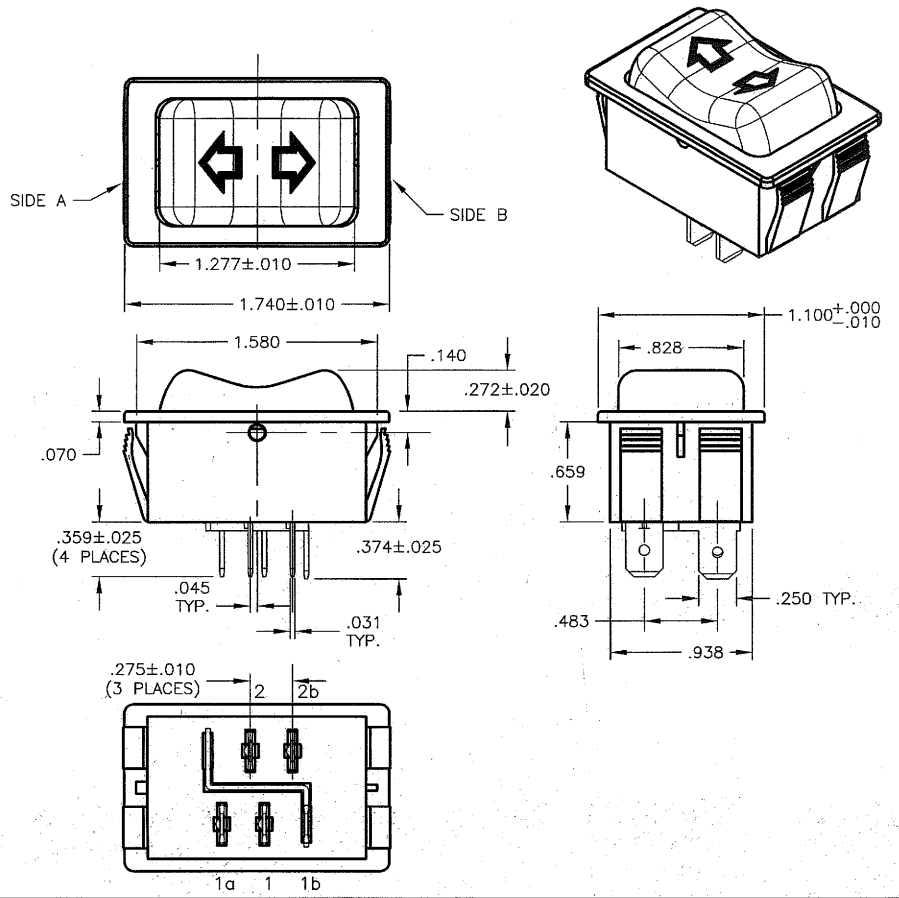


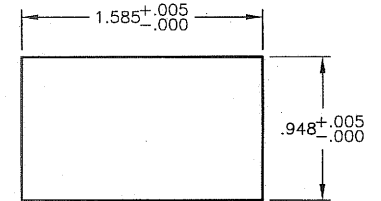
DIMENSIONS IN INCHES (MILLIMETERS)
DO NOT SCALE DRAWING

Dwg. No.
GRS-6024C-0004



ACTUATOR POSITION	CIRCUITS			
	1a-1	1-1b	1b-2	2-2b
CENTERED	CLOSED	OPEN	OPEN	CLOSED
DEPRESSED ON SIDE A	OPEN	CLOSED	OPEN	CLOSED
DEPRESSED ON SIDE B	CLOSED	OPEN	CLOSED	OPEN

Reversing Motor Circuit:
 Terminals 1a & 2b ground
 Terminal 1b power
 Terminals 1 & 2 motor leads



PANEL OPENING

PANEL THICKNESS: .090

1 2 3 4 5 6 7 8 9 10

FORM-B3
REVISIONS
 RELEASED
 DGW 11-30-2011
 NOV 30 2011

ATTENTION

THIS DRAWING AND ITS ATTACHMENTS, IF ANY, ARE PROPRIETARY TO CW INDUSTRIES AND DESCRIBE DESIGNS THAT ARE CONFIDENTIAL AND MUST NOT BE DISCLOSED UNLESS AUTHORIZED, IN WRITING, BY AN OFFICER OF CW INDUSTRIES.....

CW INDUSTRIES
 Southampton, Pa. 18966

TOLERANCES UNLESS OTHERWISE SPECIFIED

2 Place Decimal ±.010	METRIC
3 Place Decimal ±.005	1 Place Dec. ±.25mm
Angles ±1°	2 Place Dec. ±.13mm

Made for: CW IND.
 Drawn by: DGW 11-30-2011
 Checked by: G. Gold 11-30-11
 Approval: G. Gold 11-30-11

Title:
REVERSING SWITCH

Division:
SWITCH

Dwg. No.
GRS-6024C-0004

MASTER