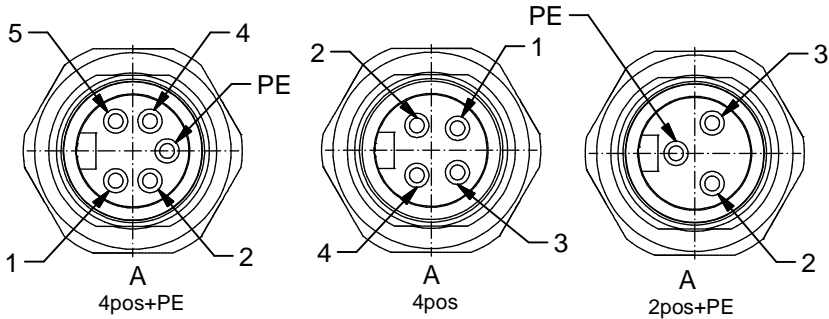


Technical specification:

Rated voltage: IEC 60664-1	300 V
Overvoltage category: IEC 60664-1	2
Overvoltage: IEC 60664-1	2,7 kV
Current rating: IEC 60512-3 at 40°C	AWG 18 8 A AWG 16 12 A AWG 14 16 A
Insulation resistance: IEC 60512	>=100 MΩ
Pollution degree: IEC 60664-1	3/2
Degree of protection: IEC 60529	IP 67, in mated condition
Temperature range: IEC 60664-1	-30°C ... +75°C
Mating cycles: IEC 60512-9a	>=100
Termination:	crimped
Materials:	
Contact:	CuZn
Contact plating:	Nickel, gold plated
Contact carrier:	TPU, UL 94
Sealing:	FPM
Socket housing:	CuZn, nickel plated
Counternut:	CuZn, nickel plated
Grouting:	Polyurethane-resin, UL 94



Contact assignment:

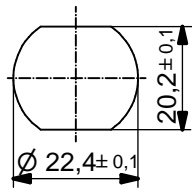
- 1 ■ black
- 2 ■ blue
- PE ■ green-yellow
- 4 ■ brown
- 5 ■ white

Contact assignment:

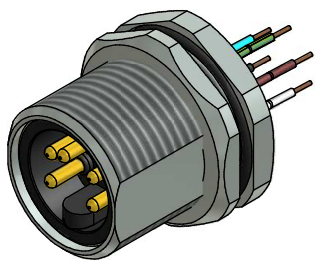
- 1 ■ brown
- 2 ■ white
- 3 ■ blue
- 4 ■ black

Contact assignment:

- PE ■ green-yellow
- 2 ■ brown
- 3 ■ blue



Minimum wall thickness 2,5mm, alternativ panel cut-out d=22,4



Part-no.:	Description:	Pos	Length L:	Wire:
41-40003	SAL - 7/8 - FSH2PE - 0,5	3	0,5m	AWG 18 PVC, UL
41-40004	SAL - 7/8 - FSH4 - 0,5	4	0,5m	
41-40005	SAL - 7/8 - FSH4PE - 0,5	5	0,5m	
41-xxxxx	SAL - 7/8 - FSH... - ...	x	x	AWG 16 PVC, UL
41-40012	SAL - 7/8 - FSH2PE - 0,5 / 150	3	0,5m	
41-40013	SAL - 7/8 - FSH4 - 0,5 / 150	4	0,5m	
41-40014	SAL - 7/8 - FSH4PE - 0,5 / 150	5	0,5m	
41-xxxxx	SAL - 7/8 - FSH... - ... / 150	x	x	AWG 14 PVC, UL
41-xxxxx	SAL - 7/8 - FSH2PE - 0,5 / 250	3	0,5m	
41-xxxxx	SAL - 7/8 - FSH4 - 0,5 / 250	4	0,5m	
41-40055	SAL - 7/8 - FSH4PE - 0,5 / 250	5	0,5m	
41-xxxxx	SAL - 7/8 - FSH... - ... / 250	x	x	

DO NOT ALTER CAD DRAWING BY HAND Directive 2002/95/EC RoHS compliant	Index: e 18.10.11 fro Ä4130 Temperatur changed	dim. in mm	title: Male Socket 7/8" with wire, backmounting							
	tolerance of wire: L ≤ 0,5m: L + 20mm L > 0,5m: L + 4%	<table border="1" style="font-size: 8px;"> <tr> <td>date</td> <td>name</td> </tr> <tr> <td>08.10.08</td> <td>Fromm</td> </tr> <tr> <td>10.11.08</td> <td>W.Schmidt</td> </tr> </table>			date	name	08.10.08	Fromm	10.11.08	W.Schmidt
	date	name								
	08.10.08	Fromm								
10.11.08	W.Schmidt									
general tolerance: 0 ± 0,50mm 0,0 ± 0,25mm 0,00 ± 0,10mm										
THIS DRAWING MAY NOT BE COPIED OR REPRODUCED IN ANY WAY, AND MAY NOT BE PASSED ON TO A THIRD PARTY WITHOUT WRITTEN PERMISSION. OWNERSHIP AND COPYRIGHT OF CONEC GmbH			part no:							