

NOTES: ±.001

① MAT'L: COPPER (STOCK THK. $\frac{.040}{1.02}$)

PLATING: ELECTRO-TIN (.0003 MIN.)

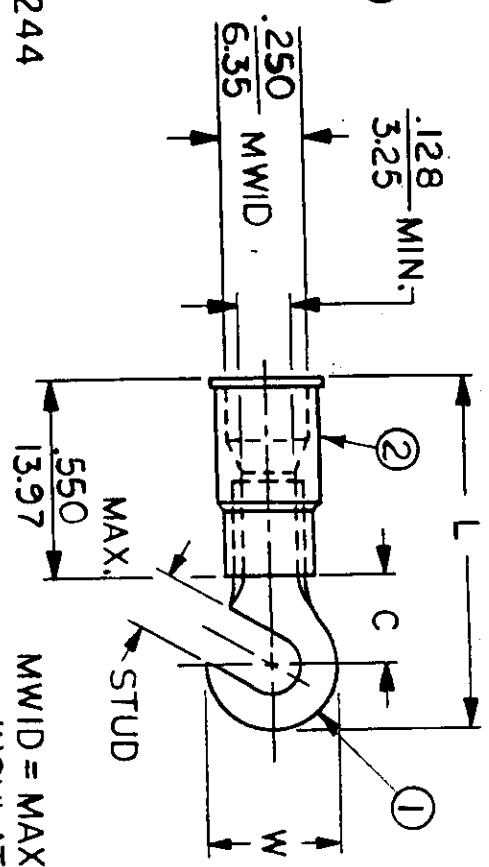
② INSULATION: MOLDED PVC (YELLOW)

STUD SIZES: (±.005)

- 02 = .094
- 04 = .119
- 06 = .146
- 08 = .173
- 10 = .198
- 14 = .265
- 56 = .328
- 38 = .390

"UL" LISTING # E32244
"CSA" LISTING # 18689

ALL DIMENSIONS = $\frac{\text{INCHES}}{\text{MM}}$



M WID = MAXIMUM WIRE
INSULATION DIAMETER

WIRE SIZE: 12 - 10AWG
4.0 - 6.0MM²

FILE NO. C-CD-201-02

PART NUMBER	"W" ±.010	"C" MIN.	"L" MAX.	AVAILABLE STUD SIZES		DIMENSIONAL TOLERANCES UNLESS OTHERWISE SPECIFIED		
						REFERENCE	SCALE: NTS	
C-211-	$\frac{.372}{9.45}$	$\frac{.303}{7.70}$	$\frac{1.066}{27.08}$	06X, 08X, 10X		DRWN. BY: JJ	DATE: 10.31.84	
C-299-	$\frac{.533}{13.54}$	$\frac{.393}{9.98}$	$\frac{1.244}{31.60}$	14X, 56X		CHKD. BY: GZ	DATE: 11.26.84	
						APPRD. BY:		
TITLE: HOOK TONGUE TERMINAL INSULKRIMP 200-SERIES							DWG. NO. A	CUSTOMER DWG.