

SCMD-MIAC/MIDC



Miniature Digital Input Modules

Description

SCMD digital input modules provide highly reliable and safe interfaces to harsh industrial measurement and control applications. With SCMD modules installed near individual field signals, a reliable isolation barrier is provided between the field wiring computer system. Other benefits include reduction of field wiring costs and establishment of a cost effective and manageable method for system expansion and repair.

The SCMD-MIAC digital input modules are used for sensing ON/OFF AC or DC voltage levels in the ranges of 18-36, 90-140 and 180-280VAC or VDC respectively. They are protected from damage due to high-voltage transients on the input signal.

The SCMD-MIDC digital input modules provide DC voltage sensing at the lower ranges of 3.3 to 32VDC and 10 to 60VDC.

High voltage, low voltage, fast switching, and low noise options are available, designated by suffixes "A", "E", "F", and "N" respectively.

Five backpanels are available for mounting SCMD-M digital input modules. See "Accessories" section.

Digital Input Modules - Model No. Suffixes Identifying Optional Features

Suffix	Feature
A	High voltage versions (280VAC for AC modules).
E	Low voltage 10VAC input for AC modules.
F	Fast-switching version of DC modules.
N	Enhanced noise immunity version of DC modules.

Features

- Plug into Backpanels for Miniature or Full-Sized Modules
- AC Inputs for 24V, 120V, 240V
- DC Inputs for 3.3 to 32V, 10 to 60V
- 4000Vrms Optical Isolation
- Open-Collector Output
- Industry-Standard Pinout and Footprint
- Operating Temperature -30°C to +80°C
- UL Listed, CSA Certified, CE Compliant

Ordering Information

Model	Input Range	Supply Voltage
SCMD-MIAC5	90 to 140VAC/DC	5V
SCMD-MIAC5A	180 to 280VAC/DC	5V
SCMD-MIAC5E	10 to 60VAC/DC	5V
SCMD-MIAC24	90 to 140VAC/DC	24V
SCMD-MIAC24A	180 to 280VAC/DC	24V
SCMD-MIDC5	3.3 to 32VDC	5V
SCMD-MIDC5F	3.3 to 32VDC	5V
SCMD-MIDC5N	10 to 60VDC	5V
SCMD-MIDC24	3.3 to 32VDC	24V

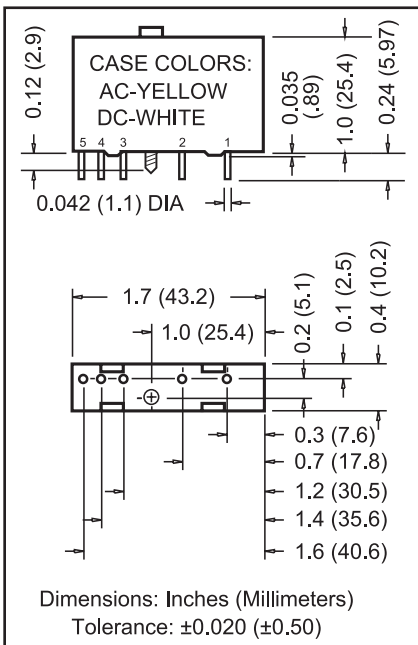


Figure 1: SCMD-MIAC/MIDC Physical Dimensions

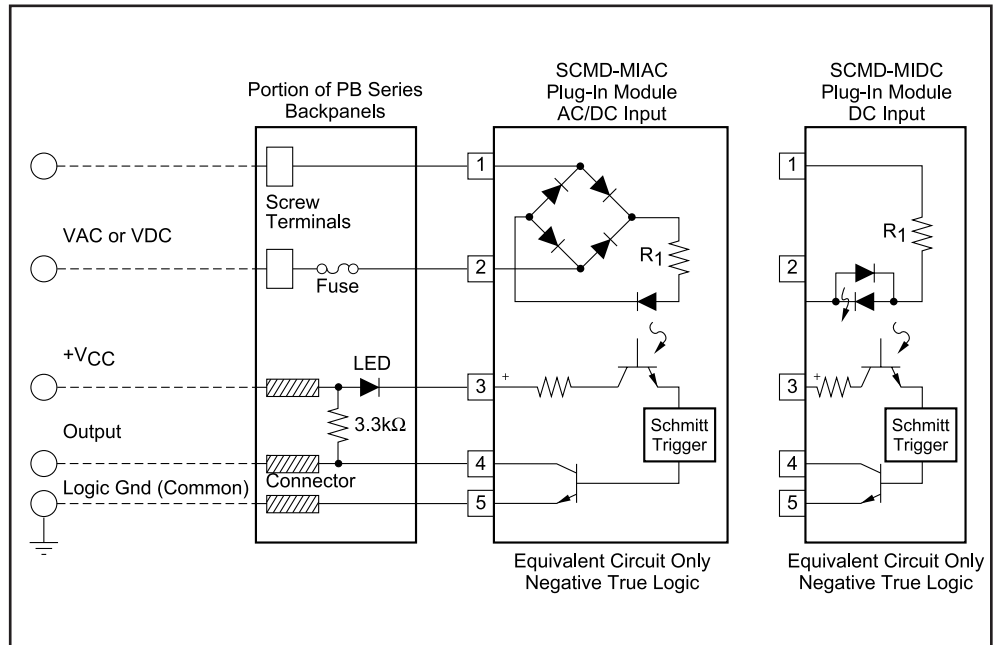


Figure 2: SCMD-MIAC/MIDC Circuit Diagrams

SCMD