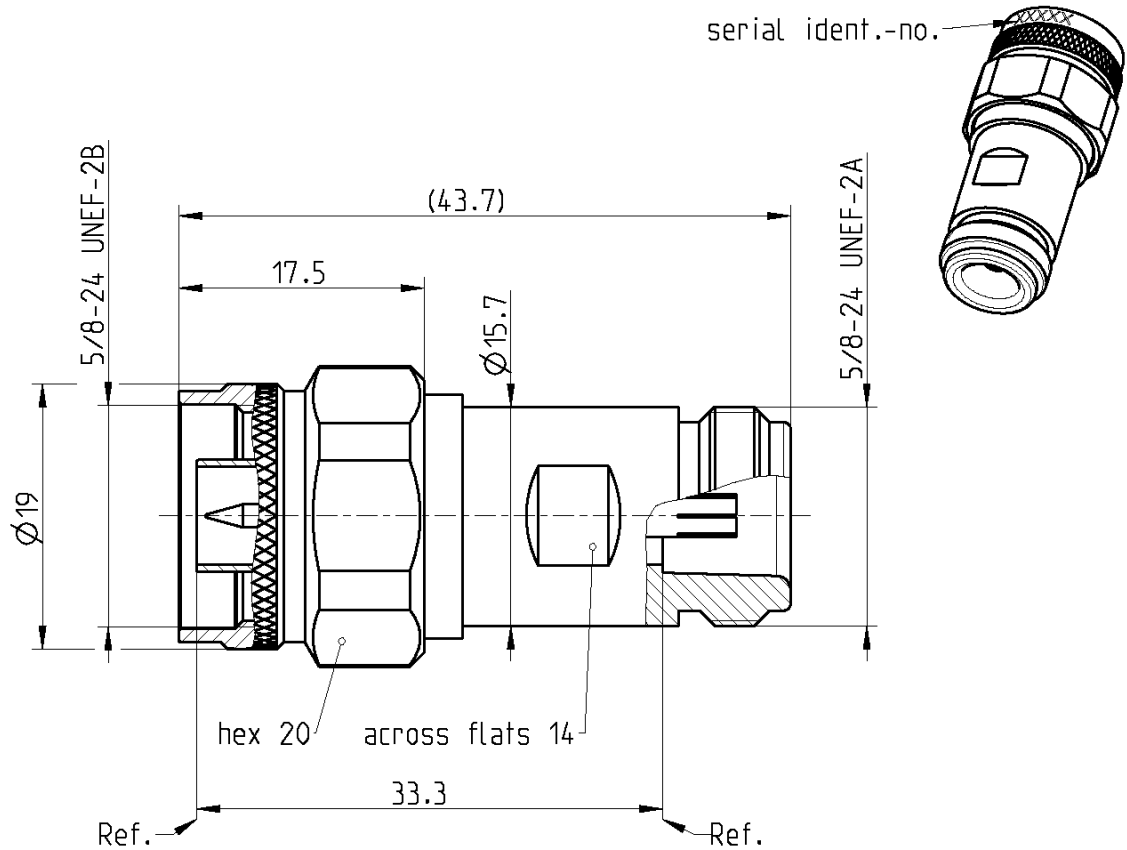


RPC-N
50 Ω

Airline Plug / Jack

05S101-K033



All dimensions are in mm; tolerances according to ISO 2768 m-H

Interface

According to IEC 61169-16

Documents

Application note AN001 "Calibration Services"

Material and plating

Connector parts

Center conductor
Outer conductor
Coupling nut

Material

CuBe
CuBe
Stainless steel

Plating

Gold, min. 1.27 μm, over chemical nickel
Gold, min. 1.27 μm, over chemical nickel
Passivated

Dieses Dokument ist urheberrechtlich geschützt • This document is protected by copyright • Rosenberger Hochfrequenztechnik GmbH & Co. KG

RF_35/09;14/6.2

Electrical data

Insertion loss ≤ 0.10 dB at 18 GHz

Mechanical data

Mating cycles ≥ 500
 Maximum torque 1.70 Nm
 Recommended torque 1.10 Nm
 Airline dimensions at 23 °C:
 - Diameter outer conductor 7.000 mm ± 0.005 mm
 - Diameter inner conductor 3.040 mm ± 0.005 mm
 - Length outer conductor 33.30 mm + 0.02 mm
 - Length inner conductor 33.30 mm - 0.02 mm
 - Length difference ≤ 0.04 mm
 (outer conductor – inner conductor)

Calculated data (non warranted)

Lossless characteristic impedance¹ 50 Ω ± 0.15 Ω
 Return loss² ≥ 40 dB, 0.3 GHz to 4 GHz
 ≥ 38 dB, 4 GHz to 8 GHz
 ≥ 35 dB, 8 GHz to 18 GHz

1. The lossless characteristic impedance is calculated from the specified diameters of the inner and outer conductor.
2. The return loss is calculated from the characteristic impedance, the skin depth and the connector interface.

General standard definitions

For proper work the vector network analyzer (VNA) used needs a model describing the electrical behaviour of this calibration standard. Depending on the VNA type different models, units and terms are used and have to be entered into the VNA. All values are based on typical geometry and plating.

- Offset Z_o / Impedance / Z_o 50 Ω
 - Offset Delay 111.146 ps
 - Length (electrical) / Offset Length 33.321 mm
 - Offset Loss 1.60 GΩ/s
 - Loss 0.016 dB/√GHz

Environmental data

Operating temperature range³ +20 °C to +26 °C
 Storage temperature range 0 °C to +50 °C
 RoHS compliant

3. This range is a recommendation. However, the airline can be used in a wider range. Any temperature change from 23 °C results in dimensional changes.

Dieses Dokument ist urheberrechtlich geschützt • This document is protected by copyright • Rosenberger Hochfrequenztechnik GmbH & Co. KG

RF_35/09;14/6.2

RPC-N
50 Ω

Airline Plug / Jack

05S101-K033

Declaration of calibration options

Factory Calibration

Standard delivery for this calibration standard includes a Factory Calibration. The Calibration Certificate issued reports individual mechanical calibration results, traceable to national / international standards. Model based standard definitions are reported in an Agilent/Keysight, Rohde & Schwarz and Anritsu compatible VNA format.

Accredited Calibration

Not available.

For further, more detailed information see application note AN001 on the Rosenberger homepage.

Calibration interval

Recommendation 12 months

Packing

Standard 1 pce in box
Weight 56.1 g/pce
Center conductor loose in an acrylic glass tube

While the information has been carefully compiled to the best of our knowledge, nothing is intended as representation or warranty on our part and no statement herein shall be construed as recommendation to infringe existing patents. In the effort to improve our products, we reserve the right to make changes judged to be necessary.

Draft	Date	Approved	Date	Rev.	Engineering change number	Name	Date
Herbert Babinger	03.08.04	Martin Moder	29.01.15	e00	14-1492	Herbert Babinger	29.01.15

Rosenberger Hochfrequenztechnik GmbH & Co. KG P.O.Box 1260 D-84526 Tittmoning Germany www.rosenberger.de	Tel. : +49 8684 18-0 Email : info@rosenberger.de	Page 3 / 3
--	---	---------------