

CTCDRH3D16F Series

From 1.5 μH to 100 μH

ENGINEERING KIT #43F



CHARACTERISTICS

Description: SMD (shielded) power inductor.

Applications: Power supplies for VTR, OA equipment, LCD televisions, PC notebooks, portable communication equipment, DC/DC converters, etc.

Operating Temperature: -30°C to +100°C

Inductance Tolerance: $\pm 30\%$

Rated Current: The rated current indicates the current when the inductance decreases to 65% over its nominal value or D.C. current when the temperature rising $\Delta T=40^\circ\text{C}$ lower, whichever is lower.

Testing: Tested on a HP4285A at 100KHz.

Packaging: Tape & Reel.

Marking: Parts are marked with inductance code.

Miscellaneous: RoHS Compliant.

Additional Information: Additional electrical & physical information available upon request.

Samples available. See website for ordering information.

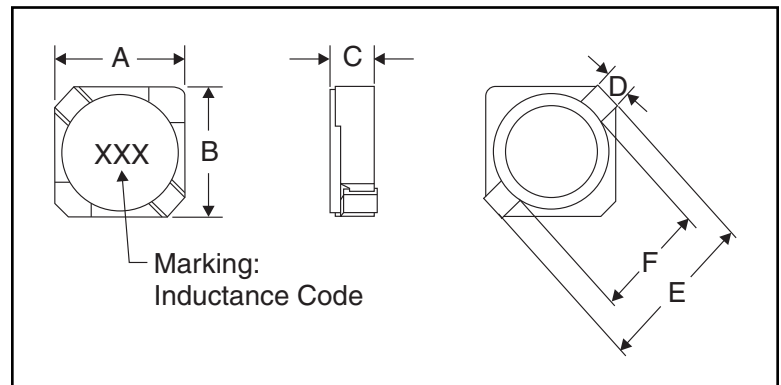
SPECIFICATIONS

Parts are available in $\pm 30\%$ tolerance only.

Part Number	Inductance @ 0.25Vrms, 0A _{dc} ($\mu\text{H} \pm 30\%$)	L Test Freq. (KHz)	DCR Max. (Ω)	Rated DC Current (A)
CTCDRH3D16F-1R5N	1.5	100	.052	1.55
CTCDRH3D16F-2R2N	2.2	100	.072	1.20
CTCDRH3D16F-3R3N	3.3	100	.085	1.10
CTCDRH3D16F-4R7N	4.7	100	.105	0.90
CTCDRH3D16F-6R8N	6.8	100	.170	0.73
CTCDRH3D16F-100N	10	100	.210	0.55
CTCDRH3D16F-150N	15	100	.295	0.45
CTCDRH3D16F-220N	22	100	.430	0.40
CTCDRH3D16F-330N	33	100	.675	0.32
CTCDRH3D16F-470N	47	100	.940	0.22
CTCDRH3D16F-680N	68	100	1.28	0.20
CTCDRH3D16F-820N	82	100	1.55	0.17
CTCDRH3D16F-101N	100	100	1.75	0.15

PHYSICAL DIMENSIONS

Size	A Max.	B Max.	C Max.	D	E	F
mm	4.1	4.1	1.8	1.15	5.2	2.95
inches	0.16	0.16	0.07	0.05	0.20	0.12



PAD LAYOUT

