

RI 4182

LAN 1 GBPS

FEEDTHRU FILTER

Panel mountable and supporting PoE



OVERVIEW

The RI 4182 is a Feedthru Filter for all types of applications where LAN signals need to be fed through a shielded wall.

APPLICATION

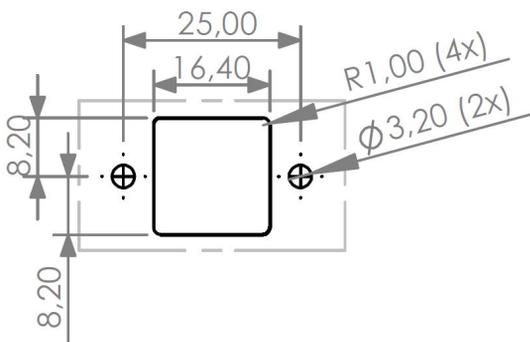
Primarily designed to fit in Ranatec's Shield Boxes but can be used separately.

ELECTRICAL INTERFACES

The physical connectors are located at each end. The filter is reciprocal, which means that the mounting direction can be either way.

MECHANICAL INTERFACES

The RI 4182 is prepared for panel mounting with two threaded M3 screw holes. It is delivered with an EMI/RFI shielding gasket for simple and reliable mounting.



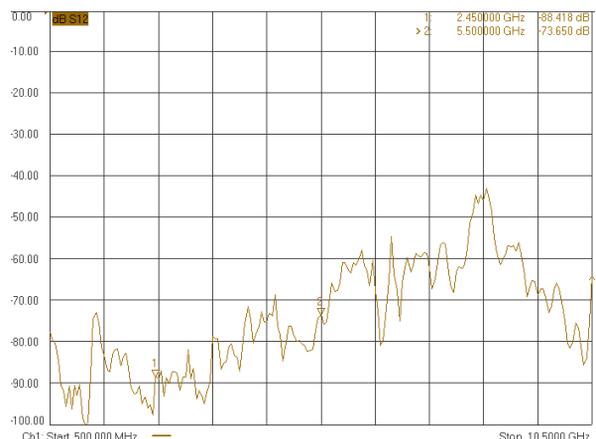
Panel cut-out recommendation (mm)

FEATURES

- 75 dB filter suppression at 2.4, 5.8 and 7.125 GHz
- LAN 1 Gbps compatible
- Supporting PoE (Power over Ethernet)
- Panel mountable

SPECIFICATION

Power over Ethernet (max)	50 VDC, 380 mA
Connector front:	RJ45 jack
Connector back:	RJ45 jack
Material:	Aluminium
Dimensions:	36x71x22 mm
Weight:	90g



Typical filter suppression

ORDERING

RI 4182

LAN 1 Gbps Feedthru Filter