

# UC3842/UC3843/UC3844/UC3845

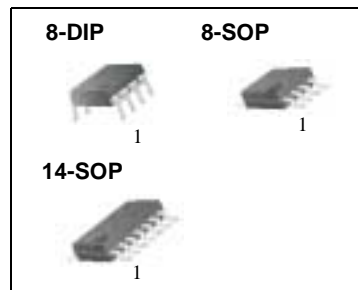
## SMPS Controller

### Features

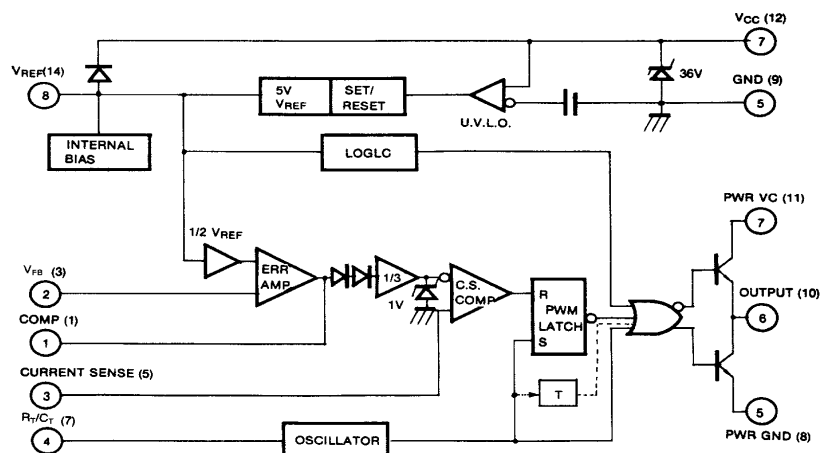
- Low Start up Current
- Maximum Duty Clamp
- UVLO With Hysteresis
- Operating Frequency up to 500KHz

### Description

The UC3842/UC3843/UC3844/UC3845 are fixed frequency current-mode PWM controller. They are specially designed for Off-Line and DC to DC converter applications with minimum external components. These integrated circuits feature a trimmed oscillator for precise duty cycle control, a temperature compensated reference, high gain error amplifier, current sensing comparator and a high current totempole output for driving a Power MOSFET. The UC3842 and UC3844 have UVLO thresholds of 16V (on) and 10V (off). The UC3843 and UC3845 are 8.5V (on) and 7.9V (off). The UC3842 and UC3843 can operate within 100% duty cycle. The UC3844 and UC3845 can operate with 50% duty cycle.



### Internal Block Diagram



\* NORMALLY 8DIP/8SOP PIN NO.  
 \* ( ) IS 14SOP PINNO.  
 \* TOGGLE FLIP FLOP USED ONLY IN UC3844, UC3845

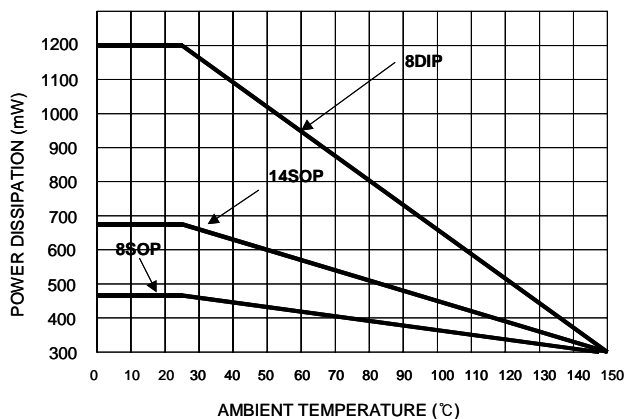
## Absolute Maximum Ratings

Parameter	Symbol	Value	Unit
Supply Voltage	V <sub>CC</sub>	30	V
Output Current	I <sub>O</sub>	±1	A
Analog Inputs (Pin 2,3)	V <sub>(ANA)</sub>	-0.3 to 6.3	V
Error Amp Output Sink Current	I <sub>SINK (E.A)</sub>	10	mA
Power Dissipation at T <sub>A</sub> ≤25°C (8DIP)	P <sub>D</sub> (Note1,2)	1200	mW
Power Dissipation at T <sub>A</sub> ≤25°C (8SOP)	P <sub>D</sub> (Note1,2)	460	mW
Power Dissipation at T <sub>A</sub> ≤25°C (14SOP)	P <sub>D</sub> (Note1,2)	680	mW
Storage Temperature Range	T <sub>STG</sub>	-65 ~ +150	°C
Lead Temperature (Soldering, 10sec)	T <sub>LEAD</sub>	+300	°C

### Note:

1. Board Thickness 1.6mm, Board Dimension 76.2mm × 114.3mm, (Reference EIA / JSED51-3, 51-7)
2. Do not exceed PD and SOA (Safe Operation Area)

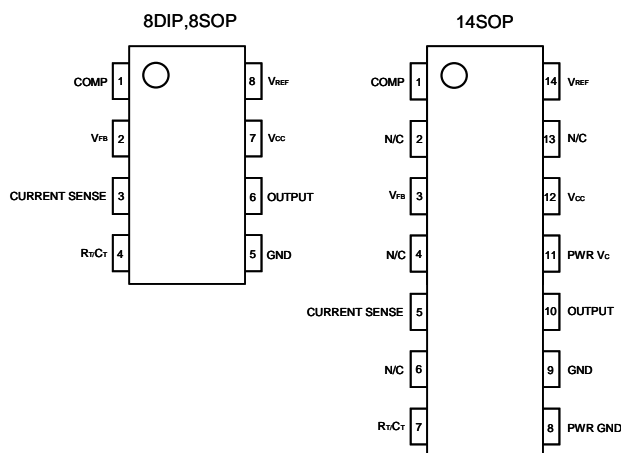
## Power Dissipation Curve



## Thermal Data

Characteristic	Symbol	8-DIP	8-SOP	14-SOP	Unit
Thermal Resistance Junction-ambient	R <sub>thj-amb</sub> (MAX)	100	265	180	°C/W

## Pin Array



## Electrical Characteristics

( $V_{CC}=15V$ ,  $R_T=10k\Omega$ ,  $C_T=3.3nF$ ,  $T_A=0^\circ C$  to  $+70^\circ C$ , unless otherwise specified)

Parameter	Symbol	Conditions	Min.	Typ.	Max.	Unit
<b>REFERENCE SECTION</b>						
Reference Output Voltage	$V_{REF}$	$T_J = 25^\circ C$ , $I_{REF} = 1mA$	4.90	5.00	5.10	V
Line Regulation	$\Delta V_{REF}$	$12V \leq V_{CC} \leq 25V$	-	6	20	mV
Load Regulation	$\Delta V_{REF}$	$1mA \leq I_{REF} \leq 20mA$	-	6	25	mV
Short Circuit Output Current	$I_{SC}$	$T_A = 25^\circ C$	-	-100	-180	mA
<b>OSCILLATOR SECTION</b>						
Oscillation Frequency	f	$T_J = 25^\circ C$	47	52	57	kHz
Frequency Change with Voltage	$\Delta f/\Delta V_{CC}$	$12V \leq V_{CC} \leq 25V$	-	0.05	1	%
Oscillator Amplitude	$V_{OSC}$	-	-	1.6	-	V <sub>P-P</sub>
<b>ERROR AMPLIFIER SECTION</b>						
Input Bias Current	$I_{BIAS}$	-	-	-0.1	-2	$\mu A$
Input Voltage	$V_{I(E>A)}$	$V_{pin1} = 2.5V$	2.42	2.50	2.58	V
Open Loop Voltage Gain	$G_{VO}$	$2V \leq V_O \leq 4V$ (Note3)	65	90	-	dB
Power Supply Rejection Ratio	PSRR	$12V \leq V_{CC} \leq 25V$ (Note3)	60	70	-	dB
Output Sink Current	$I_{SINK}$	$V_{pin2} = 2.7V$ , $V_{pin1} = 1.1V$	2	7	-	mA
Output Source Current	$I_{SOURCE}$	$V_{pin2} = 2.3V$ , $V_{pin1} = 5V$	-0.6	-1.0	-	mA
High Output Voltage	$V_{OH}$	$V_{pin2} = 2.3V$ , $R_L = 15k\Omega$ to GND	5	6	-	V
Low Output Voltage	$V_{OL}$	$V_{pin2} = 2.7V$ , $R_L = 15k\Omega$ to Pin 8	-	0.8	1.1	V
<b>CURRENT SENSE SECTION</b>						
Gain	$G_V$	(Note 1 & 2)	2.85	3	3.15	V/V
Maximum Input Signal	$V_{I(MAX)}$	$V_{pin1} = 5V$ (Note 1)	0.9	1	1.1	V
Power Supply Rejection Ratio	PSRR	$12V \leq V_{CC} \leq 25V$ (Note 1,3)	-	70	-	dB
Input Bias Current	$I_{BIAS}$	-	-	-3	-10	$\mu A$
<b>OUTPUT SECTION</b>						
Low Output Voltage	$V_{OL}$	$I_{SINK} = 20mA$	-	0.08	0.4	V
		$I_{SINK} = 200mA$	-	1.4	2.2	V
High Output Voltage	$V_{OH}$	$I_{SOURCE} = 20mA$	13	13.5	-	V
		$I_{SOURCE} = 200mA$	12	13.0	-	V
Rise Time	$t_R$	$T_J = 25^\circ C$ , $C_L = 1nF$ (Note 3)	-	45	150	ns
Fall Time	$t_F$	$T_J = 25^\circ C$ , $C_L = 1nF$ (Note 3)	-	35	150	ns
<b>UNDER-VOLTAGE LOCKOUT SECTION</b>						
Start Threshold	$V_{TH(ST)}$	UC3842/UC3844	14.5	16.0	17.5	V
		UC3843/UC3845	7.8	8.4	9.0	V
Min. Operating Voltage (After Turn On)	$V_{OPR(MIN)}$	UC3842/UC3844	8.5	10.0	11.5	V
		UC3843/UC3844	7.0	7.6	8.2	V

### Electrical Characteristics (Continued)

(VCC=15V, RT=10kΩ, CT=3.3nF, TA= 0°C to +70°C, unless otherwise specified)

Parameter	Symbol	Conditions	Min.	Typ.	Max.	Unit
<b>PWM SECTION</b>						
Max. Duty Cycle	D(Max)	UC3842/UC3843	95	97	100	%
	D(Max)	UC3844/UC3845	47	48	50	%
Min. Duty Cycle	D(MIN)	-	-	-	0	%
<b>TOTAL STANDBY CURRENT</b>						
Start-Up Current	IST	-	-	0.45	1	mA
Operating Supply Current	ICC(OPR)	Vpin3=Vpin2=ON	-	14	17	mA
Zener Voltage	VZ	ICC = 25mA	30	38	-	V

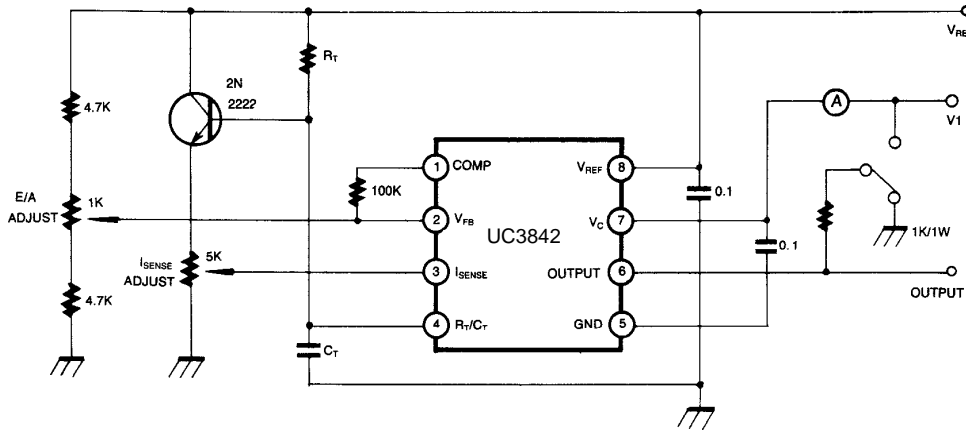
Adjust VCC above the start threshold before setting at 15V

**Note:**

1. Parameter measured at trip point of latch
2. Gain defined as:

$$A = \frac{\Delta V_{pin1}}{\Delta V_{pin3}}, 0 \leq V_{pin3} \leq 0.8V$$

3. These parameters, although guaranteed, are not 100 tested in production.



**Figure 1. Open Loop Test Circuit**

High peak currents associated with capacitive loads necessitate careful grounding techniques. Timing and bypass capacitors should be connected close to pin 5 in a single point ground. The transistor and 5kΩ potentiometer are used to sample the oscillator waveform and apply an adjustable ramp to pin 3.

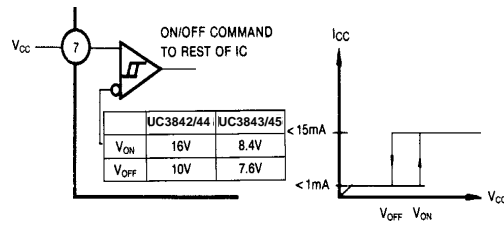


Figure 2. Under Voltage Lockout

During Under-Voltage Lock-Out, the output driver is biased to a high impedance state. Pin 6 should be shunted to ground with a bleeder resistor to prevent activating the power switch with output leakage current.

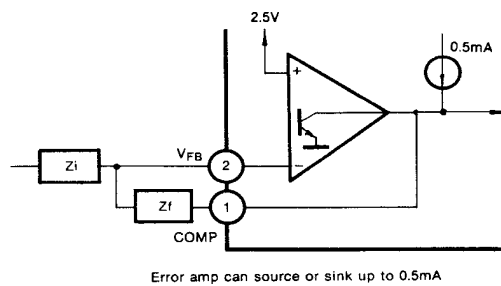


Figure 3. Error Amp Configuration

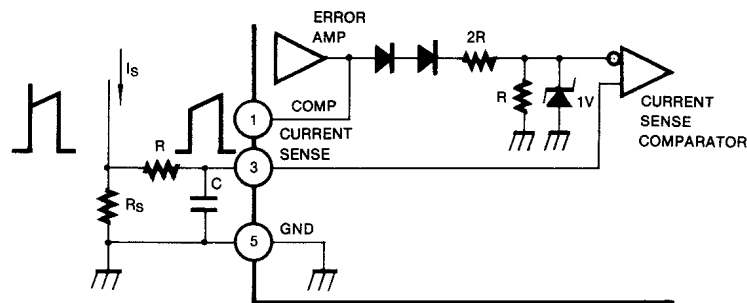


Figure 4. Current Sense Circuit

Peak current ( $I_S$ ) is determined by the formula:

$$I_S(\text{MAX}) = \frac{1.0\text{V}}{R_S}$$

A small RC filter may be required to suppress switch transients.

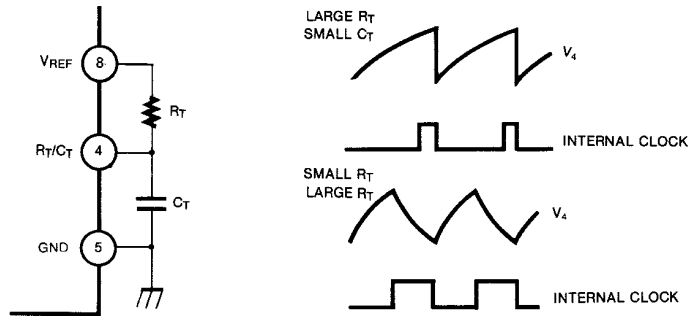


Figure 5. Oscillator Waveforms and Maximum Duty Cycle

Oscillator timing capacitor,  $C_T$ , is charged by  $V_{REF}$  through  $R_T$  and discharged by an internal current source. During the discharge time, the internal clock signal blanks the output to the low state. Selection of  $R_T$  and  $C_T$  therefore determines both oscillator frequency and maximum duty cycle. Charge and discharge times are determined by the formulas:

$$t_c = 0.55 R_T C_T$$

$$t_D = R_T C_T I_n \left( \frac{0.0063 R_T - 2.7}{0.0063 R_T - 4} \right)$$

Frequency, then, is:  $f = (t_c + t_d)^{-1}$

$$\text{For } R_T > 5k\Omega, f = \frac{1.8}{R_T C_T}$$

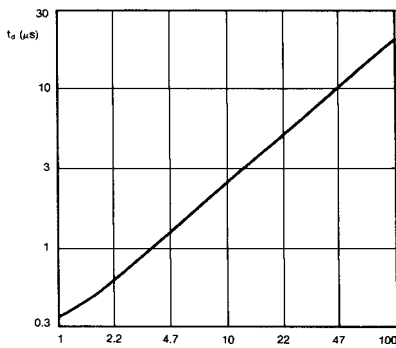


Figure 6. Oscillator Dead Time & Frequency

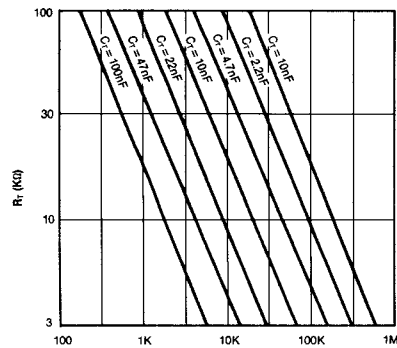


Figure 7. Timing Resistance vs Frequency

(Deadtime vs  $C_T$   $R_T > 5k\Omega$ )

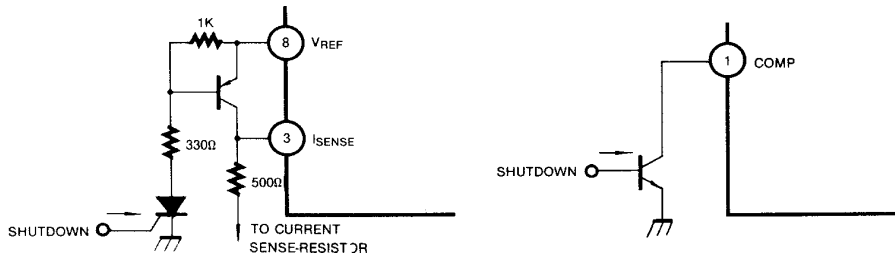


Figure 8. Shutdown Techniques

Shutdown of the UC3842 can be accomplished by two methods; either raise pin 3 above 1V or pull pin 1 below a voltage two diode drops above ground. Either method causes the output of the PWM comparator to be high (refer to block diagram). The PWM latch is reset dominant so that the output will remain low until the next clock cycle after the shutdown condition at pins 1 and/or 3 is removed. In one example, an externally latched shutdown may be accomplished by adding an SCR which will be reset by cycling VCC below the lower UVLO threshold. At this point the reference turns off, allowing the SCR to reset.

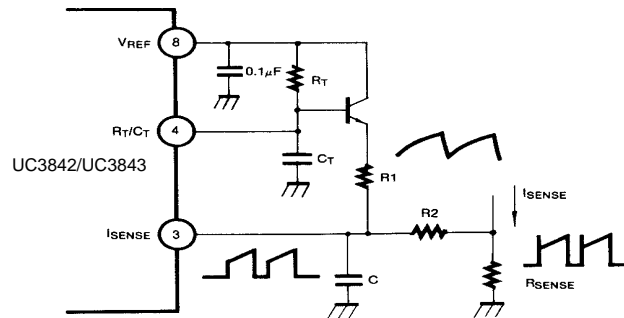


Figure 9. Slope Compensation

A fraction of the oscillator ramp can be resistively summed with the current sense signal to provide slope compensation for converters requiring duty cycles over 50%. Note that capacitor,  $C_T$ , forms a filter with  $R_2$  to suppress the leading edge switch spikes.

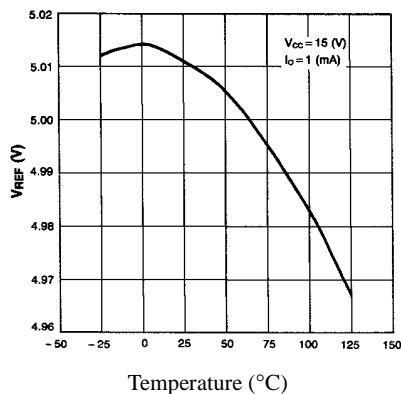


Figure 10. Temperature Drift (Vref)

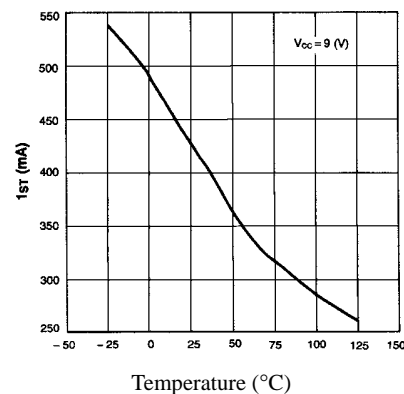


Figure 11. Temperature Drift (Ist)

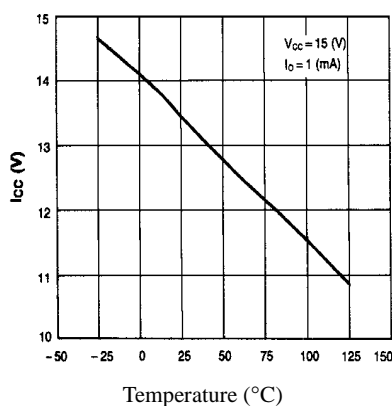
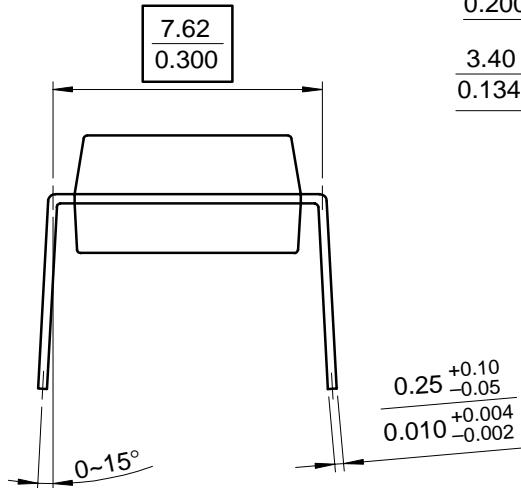
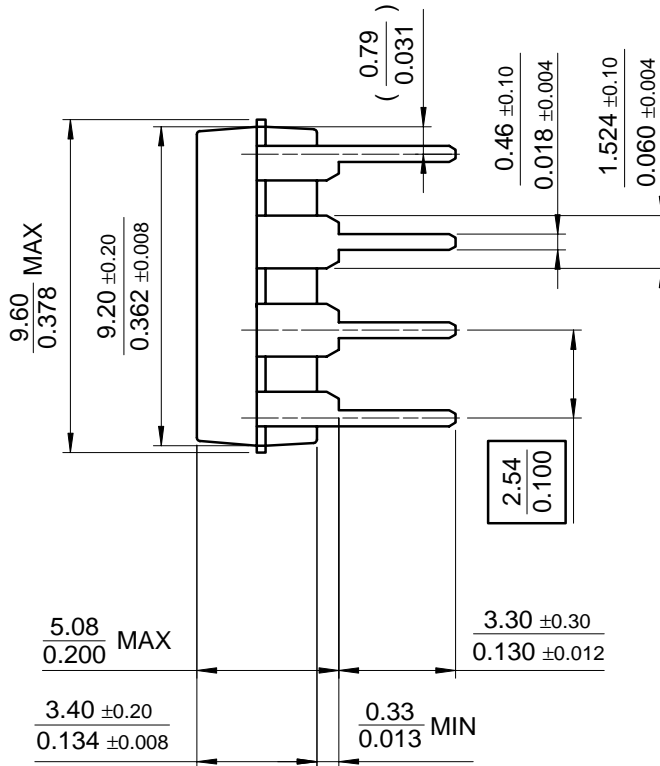
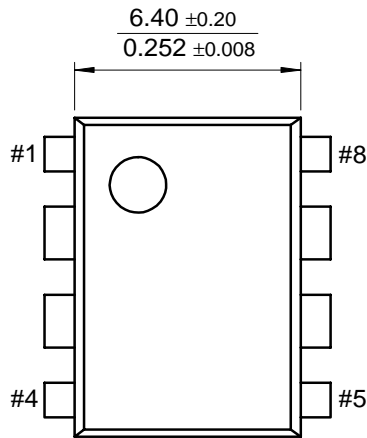


Figure 12. Temperature Drift (Icc)

# Mechanical Dimensions

## Package

### 8-DIP

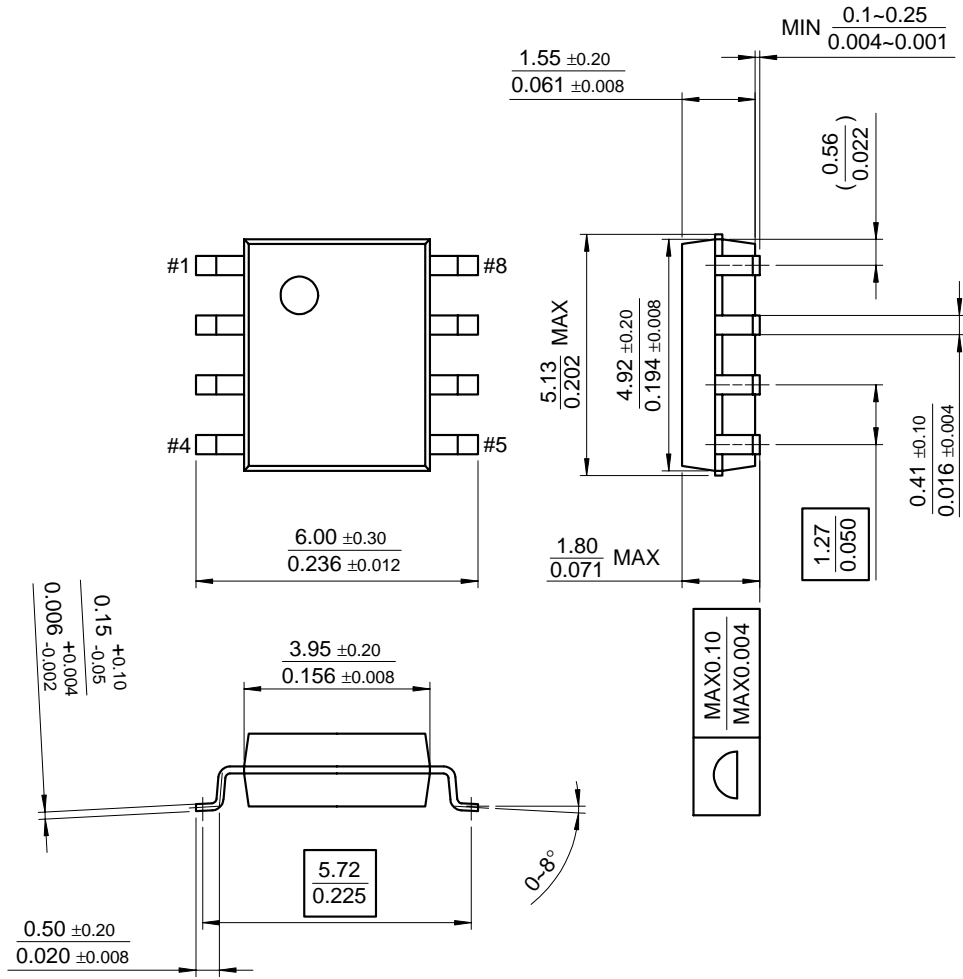




Mechanical Dimensions (Continued)

Package

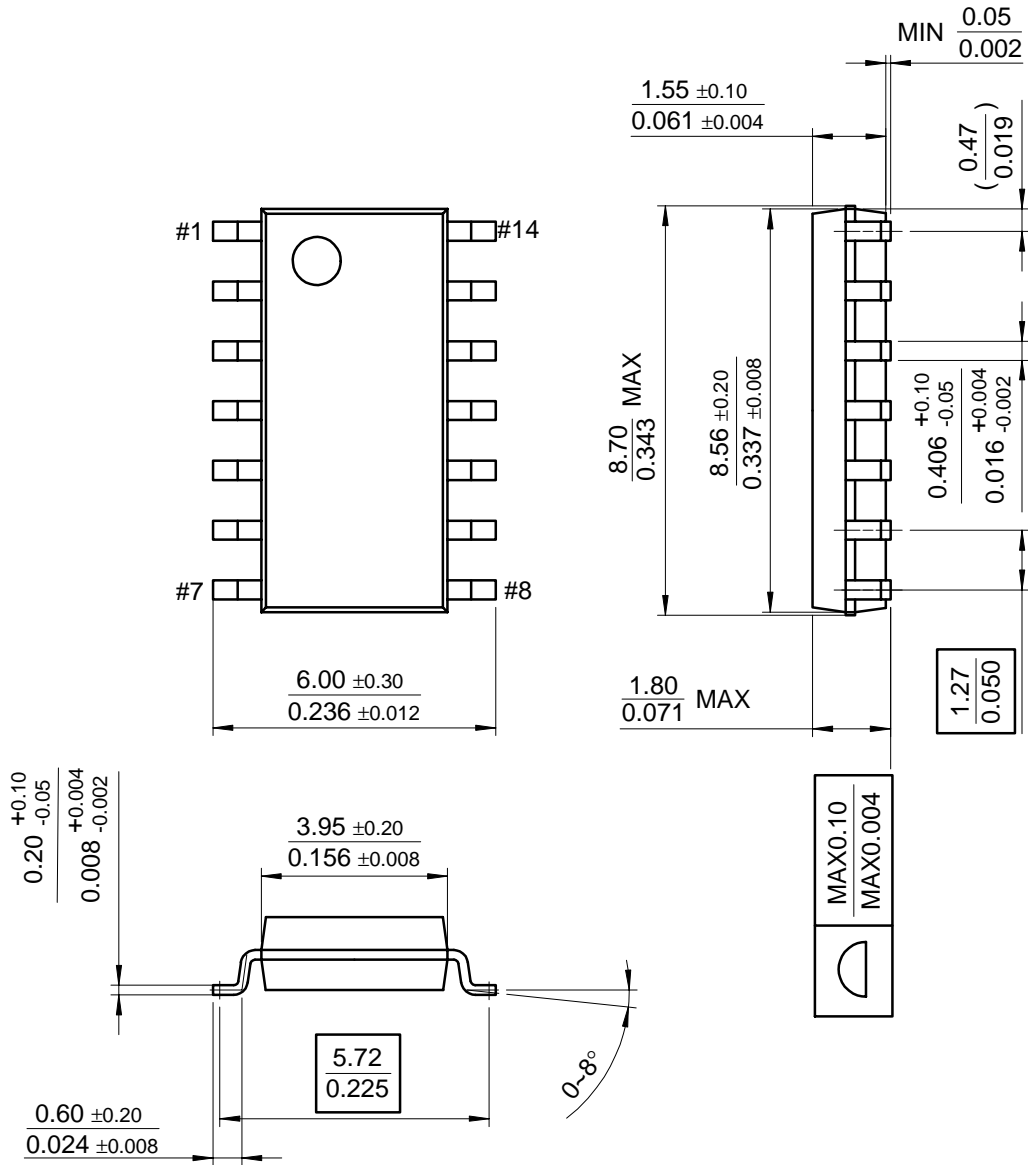
8-SOP



# Mechanical Dimensions (Continued)

## Package

### 14-SOP



## Ordering Information

Product Number	Package	Operating Temperature
UC3842N	8-DIP	0 ~ + 70°C
UC3843N		
UC3844N		
UC3845N		
UC3842D1	8-SOP	
UC3843D1		
UC3844D1		
UC3845D1		
UC3842D	14-SOP	
UC3843D		
UC3844D		
UC3845D		

**DISCLAIMER**

FAIRCHILD SEMICONDUCTOR RESERVES THE RIGHT TO MAKE CHANGES WITHOUT FURTHER NOTICE TO ANY PRODUCTS HEREIN TO IMPROVE RELIABILITY, FUNCTION OR DESIGN. FAIRCHILD DOES NOT ASSUME ANY LIABILITY ARISING OUT OF THE APPLICATION OR USE OF ANY PRODUCT OR CIRCUIT DESCRIBED HEREIN; NEITHER DOES IT CONVEY ANY LICENSE UNDER ITS PATENT RIGHTS, NOR THE RIGHTS OF OTHERS.

**LIFE SUPPORT POLICY**

FAIRCHILD'S PRODUCTS ARE NOT AUTHORIZED FOR USE AS CRITICAL COMPONENTS IN LIFE SUPPORT DEVICES OR SYSTEMS WITHOUT THE EXPRESS WRITTEN APPROVAL OF THE PRESIDENT OF FAIRCHILD SEMICONDUCTOR CORPORATION. As used herein:

1. Life support devices or systems are devices or systems which, (a) are intended for surgical implant into the body, or (b) support or sustain life, and (c) whose failure to perform when properly used in accordance with instructions for use provided in the labeling, can be reasonably expected to result in a significant injury of the user.
2. A critical component in any component of a life support device or system whose failure to perform can be reasonably expected to cause the failure of the life support device or system, or to affect its safety or effectiveness.

Fairchild Semiconductor

SEARCH | [Parametric](#) | [Cross Reference](#)[space](#)[Product Folders and](#)[Applies](#)[find products](#)[Home >> Find products >>](#)[Products groups](#)[Analog and Mixed](#)[Signal](#)[Discrete](#)[Interface](#)[Logic](#)[Microcontrollers](#)[Non-Volatile](#)[Memory](#)[Optoelectronics](#)[Markets and](#)[applications](#)[New products](#)[Product selection and](#)[parametric search](#)[Cross-reference](#)[search](#)[technical information](#)[buy products](#)[technical support](#)[my Fairchild](#)[company](#)

UC3842

SMPS Controller

Contents

[General description](#) | [Features](#) | [Product status/pricing/packaging](#)

General description

The UC3842/UC3843/UC3844/UC3845 are fixed frequency current-mode PWM controller. They are specially designed for Off - Line and DC-to-DC converter applications with minimum external components. These integrated circuits feature a trimmed oscillator for precise duty cycle control, a temperature compensated reference, high gain error amplifier, current sensing comparator, and a high current totempole output ideally suited for driving a power MOSFET. Protection circuitry Includes built in under-voltage lockout and current limiting. The UC3842 and UC3844 have UVLO thresholds of 16V (on) and 10V (off) The UC3843 and UC3845 are 8.5V (on) and 7.9V (off) The UC3842 and UC3843 can operate within 100% duty cycle. The UC3844 and UC3845 can operate with 50% duty cycle.

[back to top](#)

Features

- Low Start Up Current
- Maximum Duty Clamp
- UVLO With Hysteresis
- Operating Frequency Up To 500KHz

[back to top](#)

Datasheet

[Download this datasheet](#)[PDF](#)[e-mail this datasheet](#)[\[E-\]](#)This page [Print version](#)

Related Links

[Request samples](#)[How to order products](#)[Product Change Notices \(PCNs\)](#)[Support](#)[Distributor and field sales representatives](#)[Quality and reliability](#)[Design tools](#)

Product status/pricing/packaging

<b>Product</b>	<b>Product status</b>	<b>Package type</b>	<b>Leads</b>	<b>Packing method</b>
UC3842DX	Full Production	<a href="#">SOP</a>	14	TAPE REEL
UC3842N	Full Production	DIP	8	RAIL
UC3842D1	Full Production	<a href="#">SOIC</a>	8	RAIL
UC3842D	Full Production	<a href="#">SOP</a>	14	RAIL

[back to top](#)

[Home](#) | [Find products](#) | [Technical information](#) | [Buy products](#) |  
[Support](#) | [Company](#) | [Contact us](#) | [Site index](#) | [Privacy policy](#)

© Copyright 2002 Fairchild Semiconductor

Fairchild Semiconductor

SEARCH | [Parametric](#) | [Cross Reference](#)[space](#)[Product Folders and](#)[Applies](#)[find products](#)[Home >> Find products >>](#)[Products groups](#)[Analog and Mixed](#)[Signal](#)[Discrete](#)[Interface](#)[Logic](#)[Microcontrollers](#)[Non-Volatile](#)[Memory](#)[Optoelectronics](#)[Markets and](#)[applications](#)[New products](#)[Product selection and](#)[parametric search](#)[Cross-reference](#)[search](#)[technical information](#)[buy products](#)[technical support](#)[my Fairchild](#)[company](#)UC3843  
SMPS Controller

Contents

[General description](#) | [Features](#) | [Product status/pricing/packaging](#)

## General description

The UC3842/UC3843/UC3844/UC3845 are fixed frequency current-mode PWM controller. They are specially designed for Off - Line and DC-to-DC converter applications with minimum external components. These integrated circuits feature a trimmed oscillator for precise duty cycle control, a temperature compensated reference, high gain error amplifier, current sensing comparator, and a high current totempole output ideally suited for driving a power MOSFET. Protection circuitry Includes built in under-voltage lockout and current limiting. The UC3842 and UC3844 have UVLO thresholds of 16V (on) and 10V (off) The UC3843 and UC3845 are 8.5V (on) and 7.9V (off) The UC3842 and UC3843 can operate within 100% duty cycle. The UC3844 and UC3845 can operate with 50% duty cycle.

[back to top](#)

## Features

- Low Start Up Current
- Maximum Duty Clamp
- UVLO With Hysteresis
- Operating Frequency Up To 500KHz

[back to top](#)

Datasheet

[Download this datasheet](#)[PDF](#)[e-mail this datasheet](#)[\[E-\]](#)This page [Print version](#)

## Related Links

[Request samples](#)[How to order products](#)[Product Change Notices \(PCNs\)](#)[Support](#)[Distributor and field sales representatives](#)[Quality and reliability](#)[Design tools](#)

Product status/pricing/packaging

<b>Product</b>	<b>Product status</b>	<b>Package type</b>	<b>Leads</b>	<b>Packing method</b>
UC3843D	Full Production	<a href="#">SOP</a>	14	RAIL
UC3843DX	Full Production	<a href="#">SOP</a>	14	TAPE REEL
UC3843D1	Full Production	<a href="#">SOIC</a>	8	RAIL
UC3843N	Full Production	DIP	8	RAIL

[back to top](#)

[Home](#) | [Find products](#) | [Technical information](#) | [Buy products](#) |  
[Support](#) | [Company](#) | [Contact us](#) | [Site index](#) | [Privacy policy](#)

© Copyright 2002 Fairchild Semiconductor



Fairchild Semiconductor

SEARCH | [Parametric](#) | [Cross Reference](#)[space](#)[Product Folders and](#)[Applies](#)[find products](#)[Home >>](#) [Find products >>](#)[Products groups](#)[Analog and Mixed](#)[Signal](#)[Discrete](#)[Interface](#)[Logic](#)[Microcontrollers](#)[Non-Volatile](#)[Memory](#)[Optoelectronics](#)[Markets and](#)[applications](#)[New products](#)[Product selection and](#)[parametric search](#)[Cross-reference](#)[search](#)[technical information](#)[buy products](#)[technical support](#)[my Fairchild](#)[company](#)UC3844  
SMPS Controller

Contents

[General description](#) | [Features](#) | [Product status/pricing/packaging](#)

General description

The UC3842/UC3843/UC3844/UC3845 are fixed frequency current-mode PWM controller. They are specially designed for Off - Line and DC-to-DC converter applications with minimum external components. These integrated circuits feature a trimmed oscillator for precise duty cycle control, a temperature compensated reference, high gain error amplifier, current sensing comparator, and a high current totempole output ideally suited for driving a power MOSFET. Protection circuitry Includes built in under-voltage lockout and current limiting. The UC3842 and UC3844 have UVLO thresholds of 16V (on) and 10V (off) The UC3843 and UC3845 are 8.5V (on) and 7.9V (off) The UC3842 and UC3843 can operate within 100% duty cycle. The UC3844 and UC3845 can operate with 50% duty cycle.

[back to top](#)

Features

- Low Start Up Current
- Maximum Duty Clamp
- UVLO With Hysteresis
- Operating Frequency Up To 500KHz

[back to top](#)

Datasheet

[Download this datasheet](#)[PDF](#)[e-mail this datasheet](#)[\[E-\]](#)This page [Print version](#)

Related Links

[Request samples](#)[How to order products](#)[Product Change Notices \(PCNs\)](#)[Support](#)[Distributor and field sales representatives](#)[Quality and reliability](#)[Design tools](#)

Product status/pricing/packaging

<b>Product</b>	<b>Product status</b>	<b>Package type</b>	<b>Leads</b>	<b>Packing method</b>
UC3844D1	Full Production	<a href="#">SOIC</a>	8	RAIL
UC3844D	Full Production	<a href="#">SOP</a>	14	RAIL
UC3844DX	Full Production	<a href="#">SOP</a>	14	TAPE REEL
UC3844N	Full Production	DIP	8	RAIL

[back to top](#)

[Home](#) | [Find products](#) | [Technical information](#) | [Buy products](#) |  
[Support](#) | [Company](#) | [Contact us](#) | [Site index](#) | [Privacy policy](#)

© Copyright 2002 Fairchild Semiconductor

Fairchild Semiconductor

SEARCH | [Parametric](#) | [Cross Reference](#)[space](#)[Product Folders and](#)[Applies](#)[find products](#)[Home >> Find products >>](#)[Products groups](#)[Analog and Mixed](#)[Signal](#)[Discrete](#)[Interface](#)[Logic](#)[Microcontrollers](#)[Non-Volatile](#)[Memory](#)[Optoelectronics](#)[Markets and](#)[applications](#)[New products](#)[Product selection and](#)[parametric search](#)[Cross-reference](#)[search](#)[technical information](#)[buy products](#)[technical support](#)[my Fairchild](#)[company](#)

UC3845

SMPS Controller

Contents

[General description](#) | [Features](#) | [Product status/pricing/packaging](#)

General description

The UC3842/UC3843/UC3844/UC3845 are fixed frequency current-mode PWM controller. They are specially designed for Off - Line and DC-to-DC converter applications with minimum external components. These integrated circuits feature a trimmed oscillator for precise duty cycle control, a temperature compensated reference, high gain error amplifier, current sensing comparator, and a high current totempole output ideally suited for driving a power MOSFET. Protection circuitry Includes built in under-voltage lockout and current limiting. The UC3842 and UC3844 have UVLO thresholds of 16V (on) and 10V (off) The UC3843 and UC3845 are 8.5V (on) and 7.9V (off) The UC3842 and UC3843 can operate within 100% duty cycle. The UC3844 and UC3845 can operate with 50% duty cycle.

[back to top](#)

Features

- Low Start Up Current
- Maximum Duty Clamp
- UVLO With Hysteresis
- Operating Frequency Up To 500KHz

[back to top](#)

Datasheet

[Download this datasheet](#)[PDF](#)[e-mail this datasheet](#)[\[E-\]](#)This page [Print version](#)

Related Links

[Request samples](#)[How to order products](#)[Product Change Notices \(PCNs\)](#)[Support](#)[Distributor and field sales representatives](#)[Quality and reliability](#)[Design tools](#)

Product status/pricing/packaging

<b>Product</b>	<b>Product status</b>	<b>Package type</b>	<b>Leads</b>	<b>Packing method</b>
UC3845D	Full Production	<a href="#">SOP</a>	14	RAIL
UC3845N	Full Production	DIP	8	RAIL
UC3845DX	Full Production	<a href="#">SOP</a>	14	TAPE REEL
UC3845D1	Full Production	<a href="#">SOIC</a>	8	RAIL

[back to top](#)

[Home](#) | [Find products](#) | [Technical information](#) | [Buy products](#) |  
[Support](#) | [Company](#) | [Contact us](#) | [Site index](#) | [Privacy policy](#)

© Copyright 2002 Fairchild Semiconductor